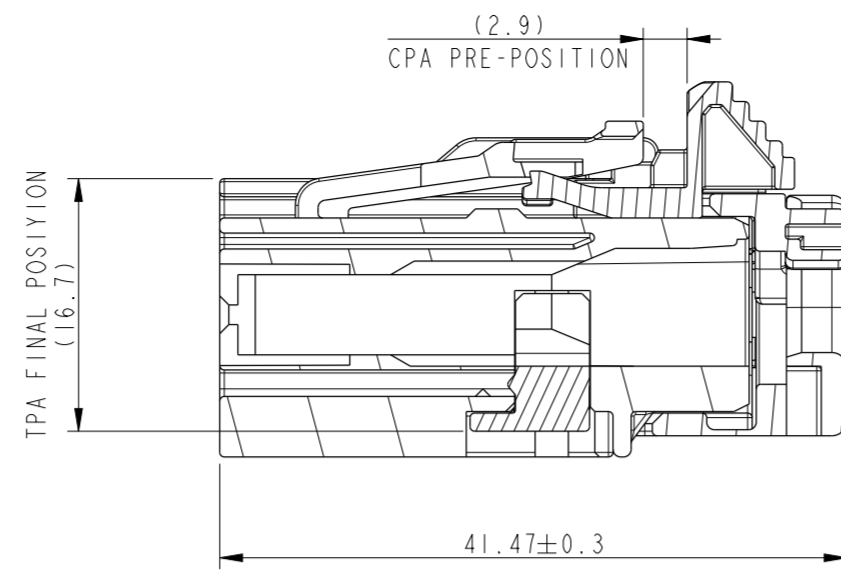
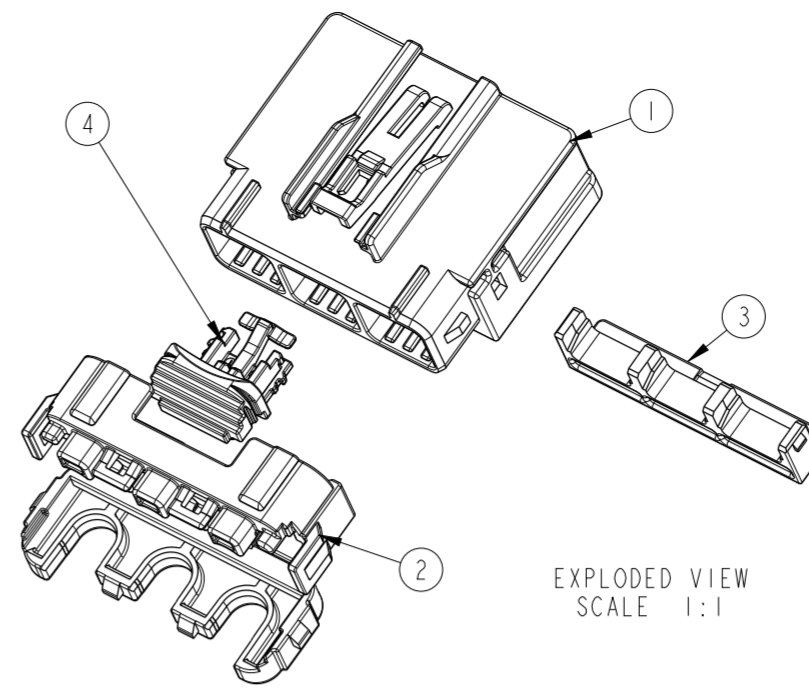


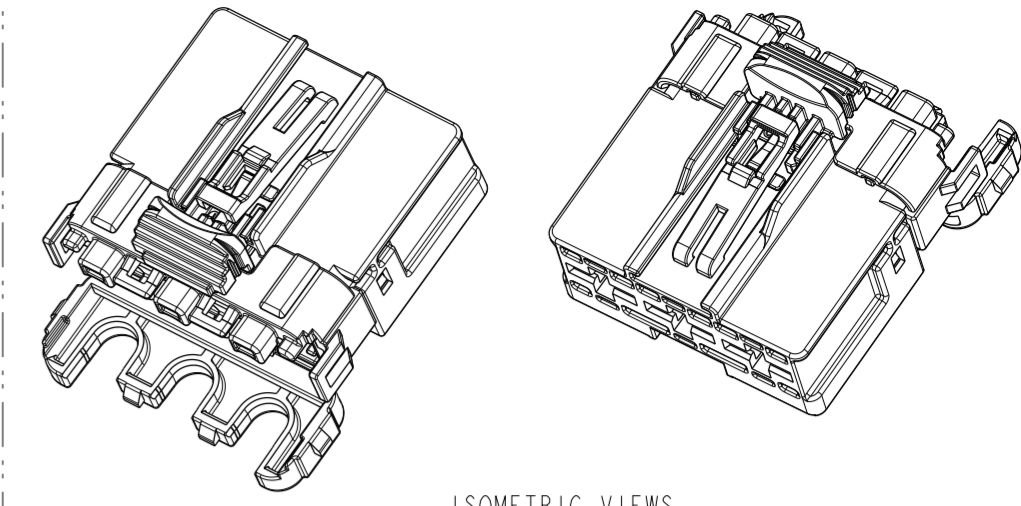
TPA & CPA PRE-LOCK POSITION
DELIVERY CONDITION
FROM FCI TO HARNESS MAKER



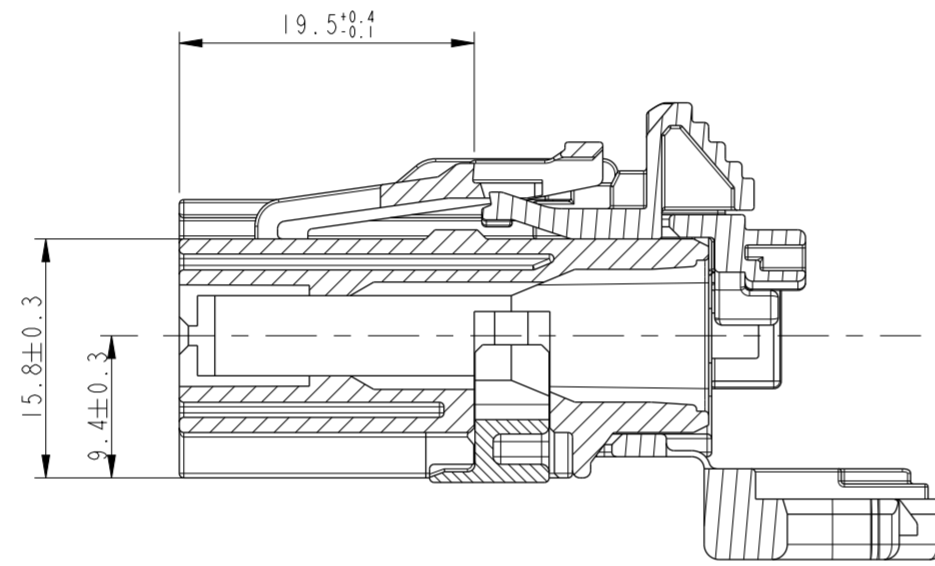
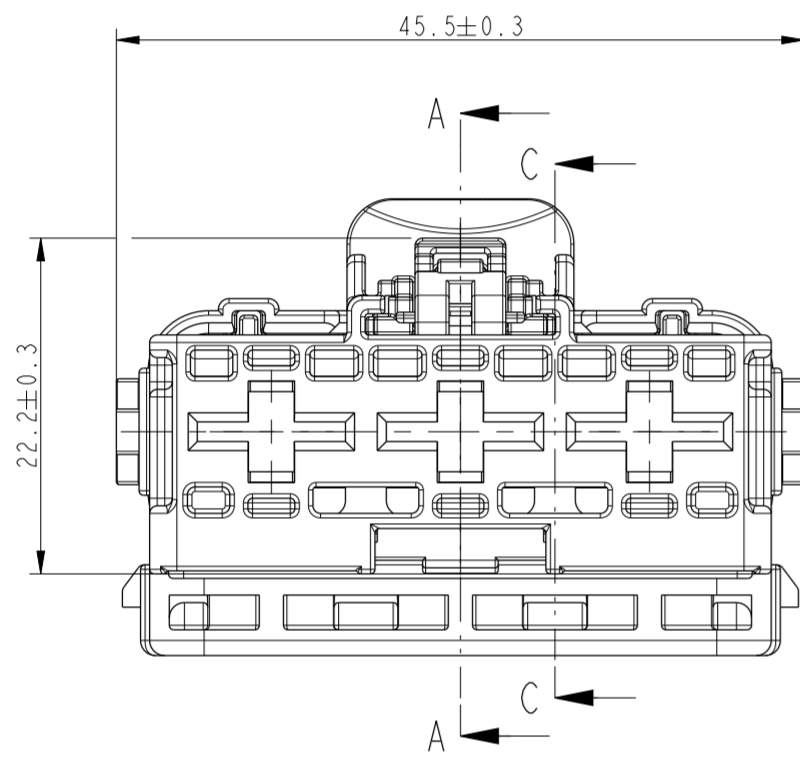
TPA FINAL POSITION
CPA PRE-LOCK POSITION



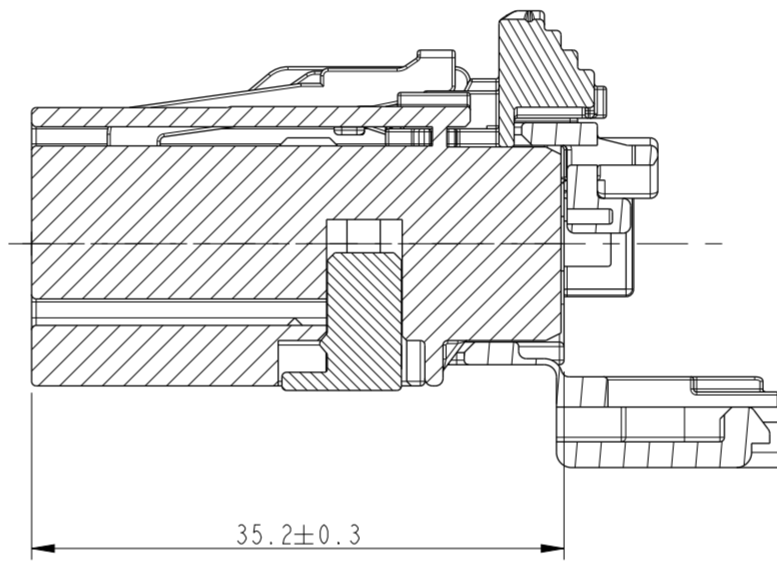
EXPLODED VIEW
SCALE 1:1



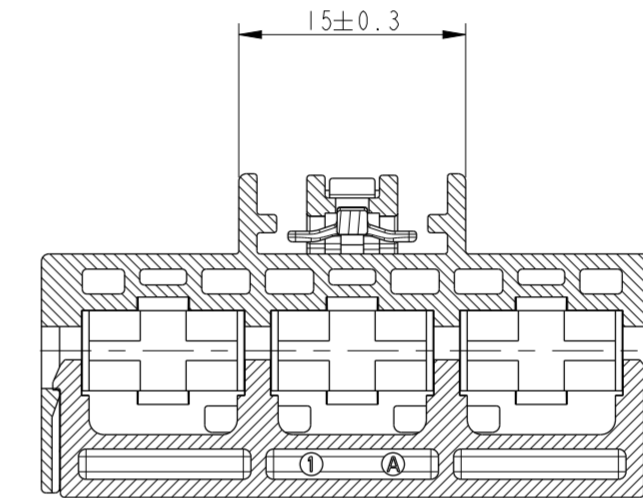
ISOMETRIC VIEWS
SCALE 1:1



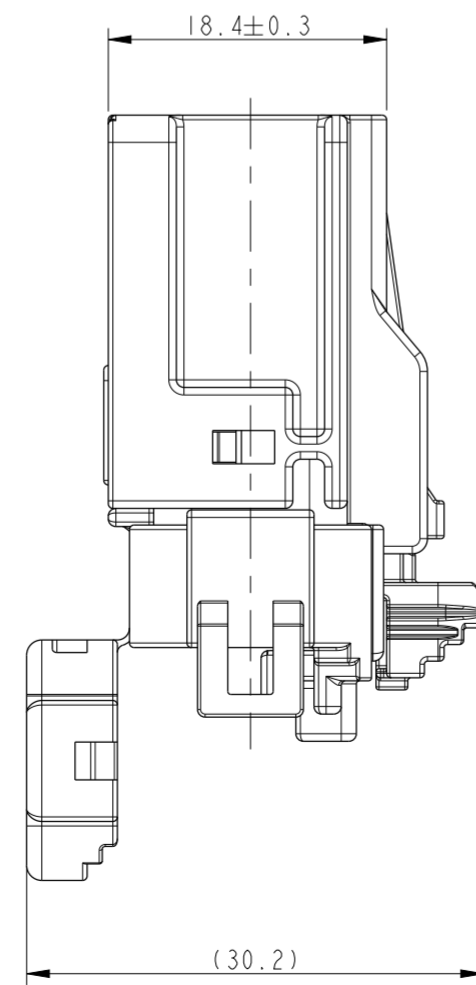
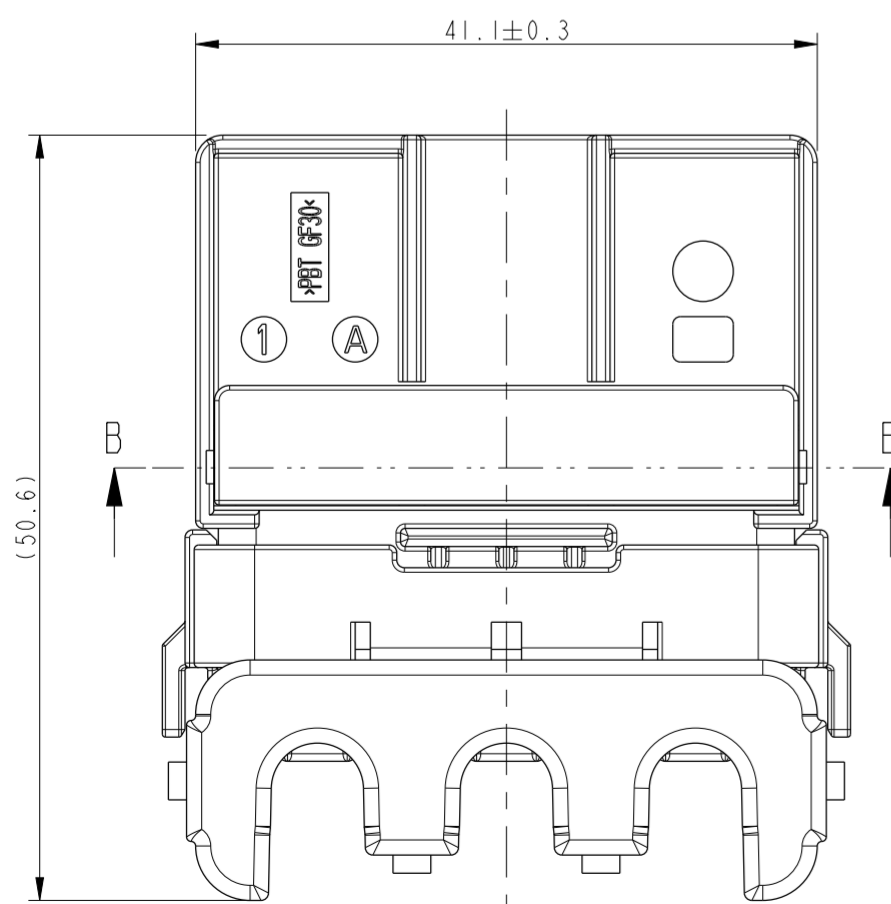
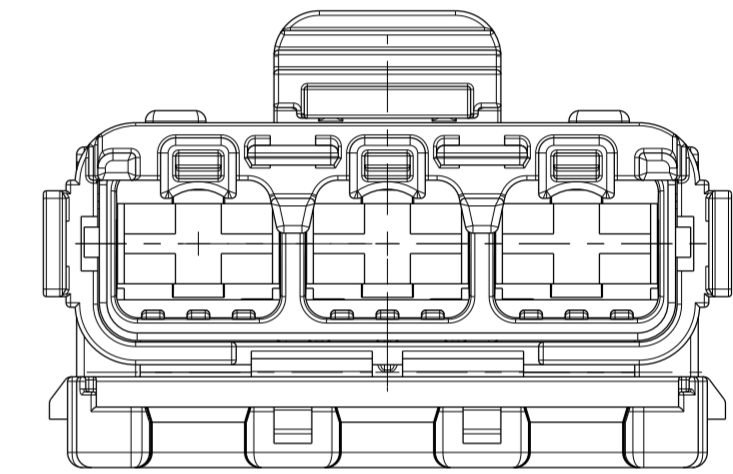
SECTION A-A



SECTION C-C



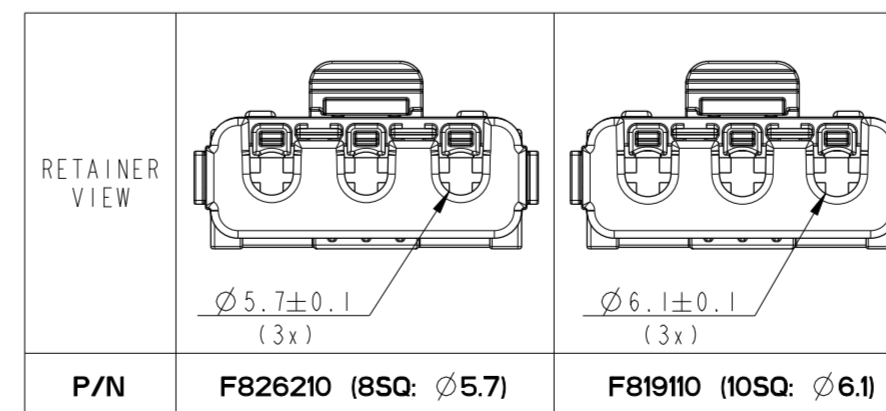
SECTION B-B



- NOTES
1. NOT SPECIFIED TOLERANCE : DIN ISO 2768(M)
 2. MUST BE FREE OF CRACK, FLOW MARK, FLASH, BURR ETC THAT AFFECT FUNCTION OF PRODUCT
 3. THIS PRODUCT MUST MEET ES91500-00 (Rev. L)
 4. PPLICABLE COUNTER PART: F739110, F049110
 5. UNLESS OTHERWISE SPECIFIED TO VENDOR SPECIFICATION.

DIN ISO 2768		Tolerance Class medium (m)						
Linear dimensions except for broken edges	Permissible deviations for basic size range (mm)	0.5 *)	over 3	over 6	over 30	over 120	over 400	over 1000
	up to 3	up to 6	up to 30	up to 120	up to 400	up to 1000	up to 2000	
Broken edges (radii, chamfers)	Permissible deviations for basic size range (mm)	±0.1	±0.1	±0.2	±0.3	±0.5	±0.8	±1.2
	0.5 *)	up to 3	over 3 up to 6	over 6				
Angular dimensions	Permissible deviations for ranges of lengths, in mm, of the shorter side of the angle concerned	up to 10	over 10 up to 50	over 50 up to 120	over 120 up to 400	over 400		
	±1°	±0°30'	±0°20'	±0°10'	±0°5'			

*) For nominal sizes below 0.5mm, the deviations shall be indicated adjacent to the relevant nominal sizes).



REF	MOBIS TYPE	MANDO TYPE	DESIGNATION	MATERIAL	COLOR	FCI P/N
4			CPA	PBT	LIGHT YELLOW	S866210
3			TPA	PBT GF30	NATURAL	S859110
2			RETAINER	PA66	LIGHT BLUE	S080310
			RETAINER	PA66	BLACK	S169110
1			FEMALE HOUSING	PBT GF30	DARK GRAY	S749110

ECN-12-00797	POSITION	CHANGE DESCRIPTION	
ECN-NO.	위치	A-5 Color Changed of RETAINER	
PRODUCT SPEC.	PACKAGING SPEC.	APPLICATION SPEC.	COPYRIGHT DELPHI CORPORATION AND/OR ITS AFFILIATES. ALL RIGHTS RESERVED. REVISED
KN-11-007	KNP-11-016	KNF-11-007	이 도면은 델피의 소유 재산이며, 무단 복제, 배포, 수정, 변형, 또는 기타 형태로의 사용은 엄격히 금지됩니다. DELPHI의 사전 서면 동의 없이는 어떠한 형태로도 무단으로 복제, 배포, 수정, 변형, 또는 기타 형태로의 사용은 엄격히 금지됩니다.
TOLERANCES	SEE TABLE	MATERIAL :	SURFACE FINISH
COUNTERPART NO.	SEE NOTES	SEE TABLE	
DO NOT MEASURE DRAWING	DO NOT MEASURE DRAWING	COLOR :	SEE TABLE
DATE	NAME	TOOL NO.	ECO Loc. Code
20110509	S S RAMASAMY		KN
CREATED BY	DATE	NAME	TITLE
20130304	20130304	SeungWon CHOI	3 Way Female Assembly
MODIFIED BY	DATE	NAME	PROJECT
20130304	20130304	JuWon SEO	3 Way DCS9.5 Female Connector
CHECKED BY	DATE	NAME	ESR NO.
20130306	20130306	MinYoung LEE	AP-090043
APPROVED BY	DATE	NAME	ESR NO.
20130306	20130306	MinYoung LEE	AP-090043
FILE NAME	REV.	DATE	DESCRIPTION
PCC0737307	1	20130307	DOCUMENT UNDER PDS CONTROL

ASSOCIATED PARTS			
FEMALE TERMINALS	PART NUMBER	WIRE SIZE RANGE (mm ²)	TYPE
DCSI 9.5mm Box	6 007 04 71	6.00-10.00	Female

DELPHI
DELPHI PACKARD ELECTRICAL/ELECTRONIC ARCHITECTURE
NAMHYANG, KOREA

DELPHI
THIRD ANGLE
DIMENSION IN MILLIMETERS

DRAWING NUMBER: **PCC0737307**
REV. **F**

STATE OF THE PART NUMBER: **SERIAL RELEASED**

SCALE: 2:1

X-ON Electronics

Largest Supplier of Electrical and Electronic Components

Click to view similar products for [Automotive Connectors](#) category:

Click to view products by [APTIV](#) manufacturer:

Other Similar products are found below :

[003-018-000](#) [60403001](#) [60993906-B](#) [629515004020001](#) [M902-2131](#) [M902-2161](#) [72.330.1035.1](#) [73.353.4028.0](#) [F119300-B](#) [F166900](#)
[F258300-B](#) [F358300-B](#) [F407400](#) [F444110](#) [F487000](#) [F509500B-B](#) [827153-1](#) [8N1515-32-24P](#) [9-1326729-8](#) [925474-1](#) [928905-1](#) [964562-4](#)
[968782-1](#) [GT17SA-8DS-HU](#) [98891-1012](#) [98947-1016](#) [12004475-L](#) [12010290](#) [12010309-B](#) [12015454](#) [12020219-B](#) [12020308](#) [12041318-B](#)
[12052225-L](#) [12052466](#) [12059125](#) [12064869](#) [12004327-B](#) [12010503-B](#) [12015308](#) [12015384](#) [12015909](#) [1-21030-1](#) [12041254](#) [12041318](#)
[12047946-B](#) [12047957](#) [12047957-L](#) [12059473](#) [12066261](#)