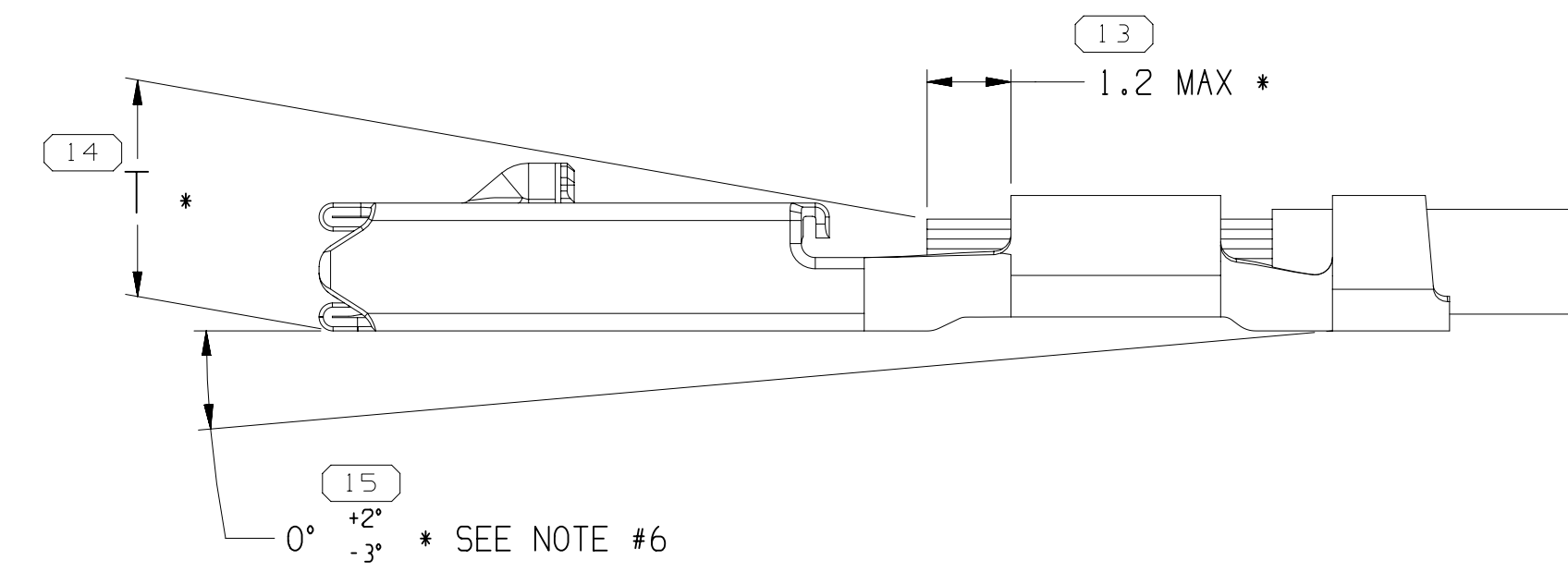
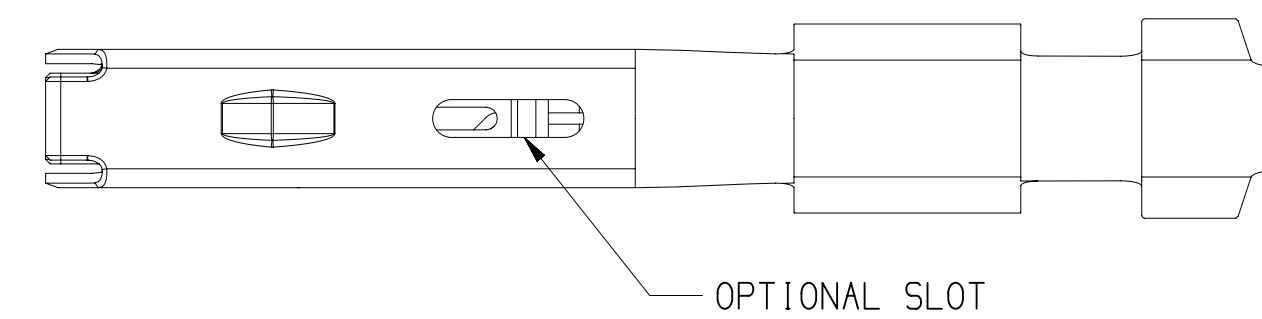
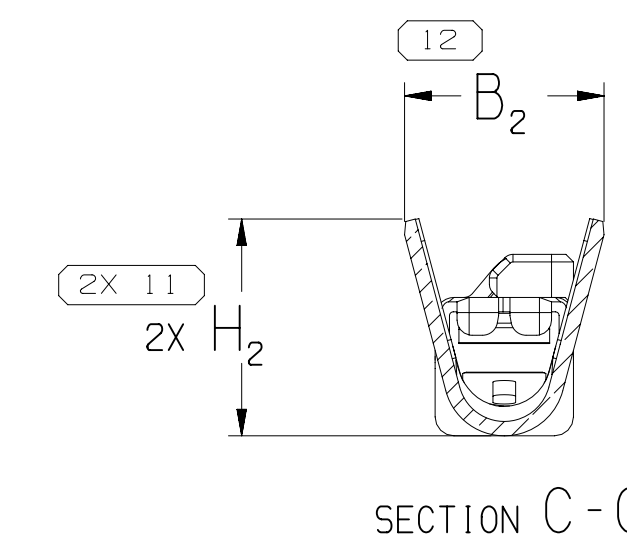
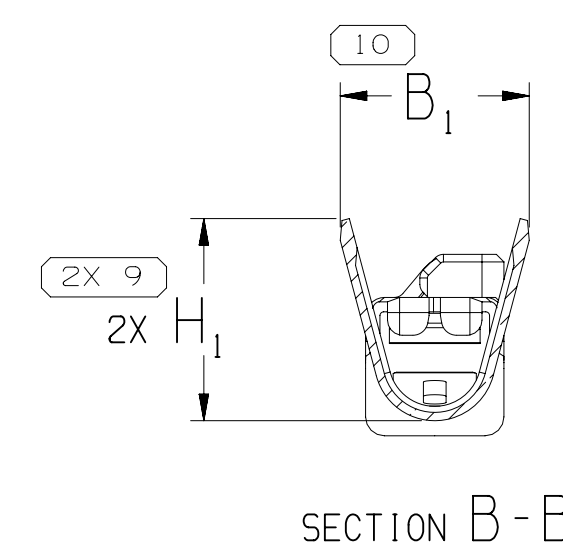
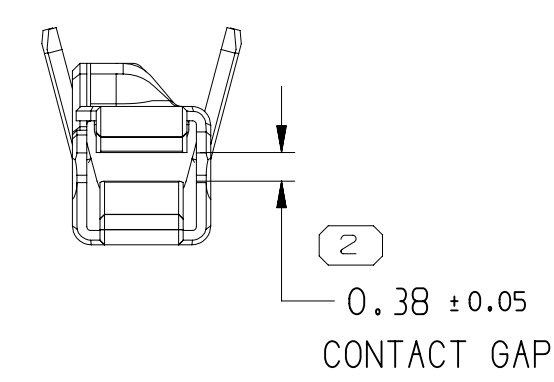
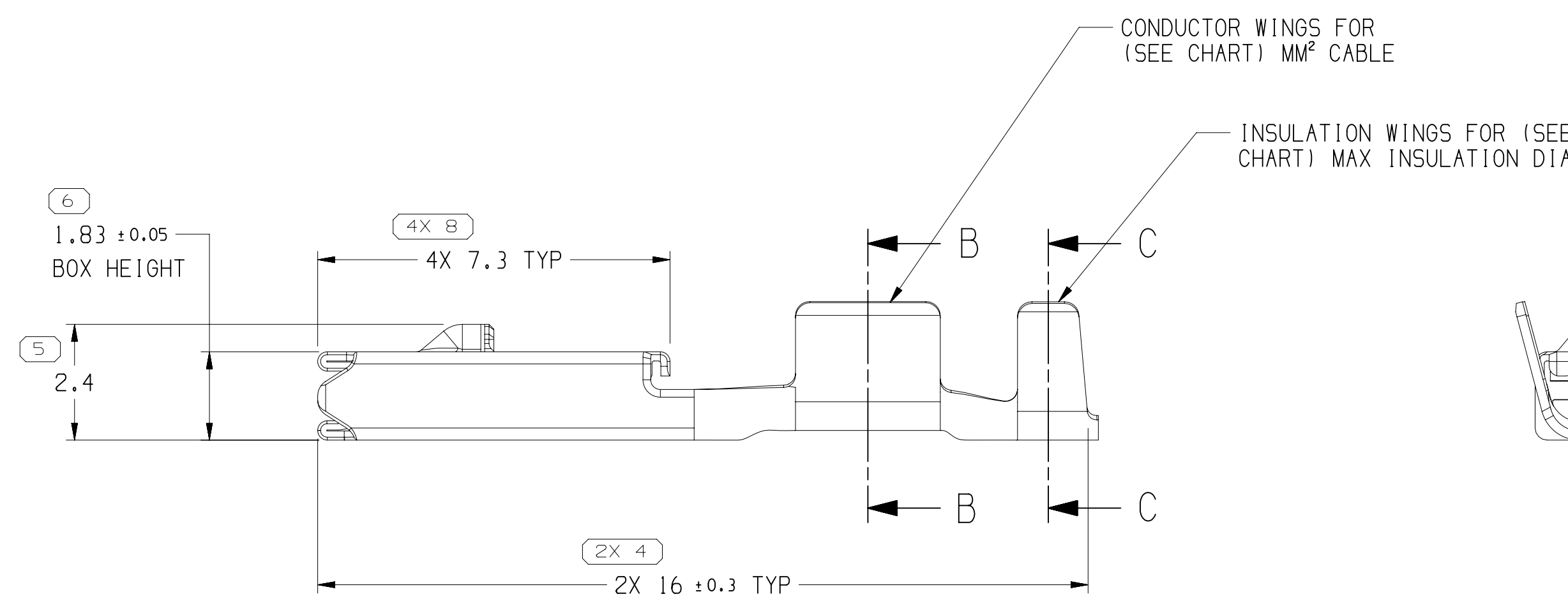
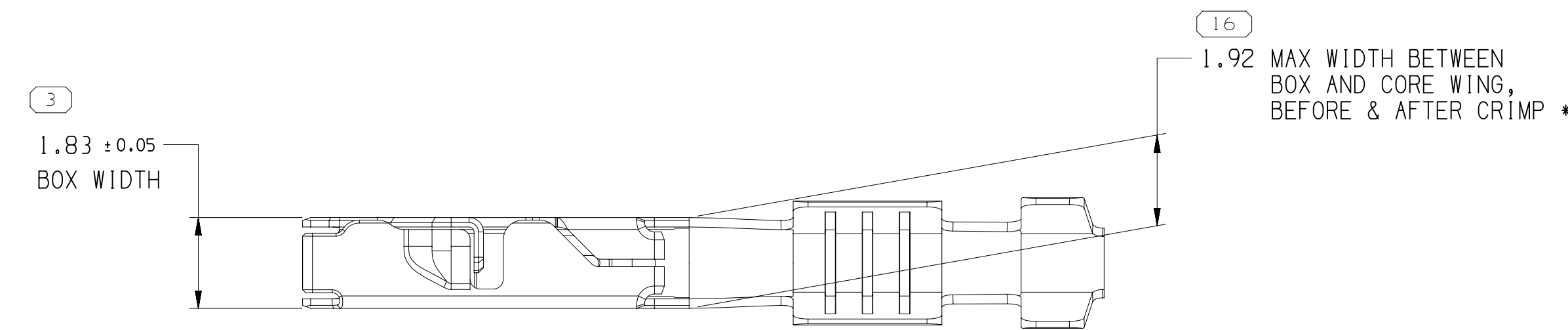
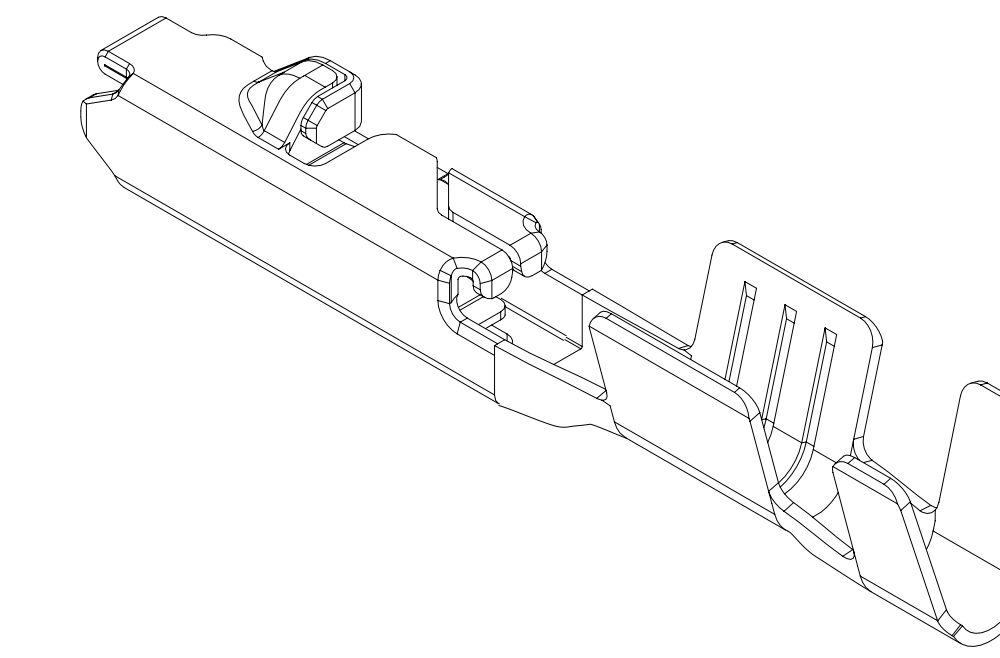


RECOMMENDED MATING BLADE CONFIGURATION
SCALE 10:1



TERMINAL, CABLE CRIMP ALIGNMENT & POSITION



NOTES

- UNLESS OTHERWISE SPECIFIED AND/OR INDICATED:
DIMENSIONS ARE TO FACE OF VIEW SHOWN AND AUTOMATICALLY ROUNDED BY COMPUTER FOR INSPECTION (SEE MATH MODEL FOR PRECISE DIMENSIONS). FOR ALL OTHER DIMENSIONS NOT SHOWN BUT REQUIRED FOR TOOL BUILD, SEE MATH MODEL FOR PRECISE TOOL PATH DATA.
- RECOMMENDED MATING BLADE THICKNESS 0.6 ± 0.03 MM OR 0.64 ± 0.03 MM AND NO LESS THAN 0.61 MM.
- MAXIMUM CURRENT CAPACITY IS 10 AMPS WITH 0.8 MM² COPPER CABLE.
- CRIMP DIMENSION FROM THE BACK OF THE CORE WING INCLUDES THE FLARE OUT FROM THE CORE WING TO THE END OF THE INSULATION WING.
2.05 MM MAX WIDTH, 2.1 MM MAX HEIGHT FOR CABLE SIZE UP TO 1.9 MM O.D.
2.35 MM MAX WIDTH, 2.40 MM MAX HEIGHT FOR CABLE SIZE BETWEEN 1.86 TO 2.25 MM O.D.
2.67 MM MAX WIDTH, 2.67 MM MAX HEIGHT FOR CABLE SIZE BETWEEN 2.25 TO 2.40 MM O.D.
- DENOTES DIMENSIONS MADE AT CUT-OFF & CRIMP DIE.
- PLUS ANGLE IS WING BOTTOM SURFACE ROTATED COUNTERCLOCKWISE AGAINST THE BOX BOTTOM SURFACE.
- DO NOT PROBE, TEST OR OTHERWISE CONTACT THE INTERIOR REGION (THE SPRING OR ANY MOVING PART) OF THIS TERMINAL. SEVERE DAMAGE CAN OCCUR, COMPROMISING THE PERFORMANCE OF THE ELECTRICAL INTERFACE.

SYMBOL DEFINITION		TOTAL NO OF INSPECTIONS REQUIRED
A DIMENSION WITHOUT AN INSPECTION REPORT SYMBOL DOES NOT REQUIRE INSPECTION. IT MAY BE CONTROLLED ON THE INDIVIDUAL COMPONENT DRAWING.		20
	LAST NO. USED	16

MISSING SYMBOLS		REVISION HISTORY		AUTH	DR	APVD
DATE	STG	REV	N/P	CHG	ZONE	
28FE19	R	01	-	-		442472 LVD RBS RBS
27MR19	R	02	-	-		442831 LVD JAA OMS
26AP19	R	03	-	-		35072393 - UPDATED PART AVAILABILITY 443031 JLL JAA OMS
15MY19	R	04	-	-		35072391 - UPDATED PART AVAILABILITY 443294 LVD RBS RBS
29ND19	R	05	-	-		35072391 - SIZE WAS 0.35-0.5 & DIA WAS 1.47-1.9; 35410016 - RELEASED 550373 LVD JAA RBS

PART NO	REV	N/P	MAT'L SIZE	MAT'L SPEC	CONTACT PLATING	CONTACT PLATING I.D.	SIZE (MM²)	ID	DIA	B ₁ ± 0.2	B ₂ ± 0.3	(H ₁)	(H ₂)	T MAX
35410016	01	-	0.19 X 26.78	COPPER ALLOY	TIN/SILVER	SN	0.35	22	1.2 - 1.7	1.8	2.4	1.75	2.4	1.4
35072393	01	AB	0.19 X 26.78	COPPER ALLOY	TIN/SILVER	SN	0.8 - 1	17	1.86 - 2.4	2.5	2.8	2.7	2.8	1.6
35072392	01	AB	0.19 X 26.78	COPPER ALLOY	TIN/SILVER	SN	0.75 - 0.8	18	1.7 - 1.9	2.5	2.5	2.7	2.5	1.5
35072391	01	AC	0.19 X 26.78	COPPER ALLOY	TIN/SILVER	SN	0.5	21	1.4 - 1.9	2	2.4	2.1	2.4	1.4

DIR	DATE
APVD1 LUIS VILLARREAL	28FE19
APVD2 ROBERT B. SNADER	01MR18
APVD3 ROBERT B. SNADER	01MR18
APVD4	
APVD5	

APTIV
CONNECTION SYSTEMS
WARREN, OH
COPYRIGHT 2019 APTIV. ALL RIGHTS RESERVED.
THIS DRAWING IS THE PROPERTY OF APTIV AND CONTAINS APTIV CONFIDENTIAL INFORMATION. THE REPRODUCTION, DISTRIBUTION AND UTILIZATION OF THIS DOCUMENT OR ITS RELATED CAD DATA, AS WELL AS COMMUNICATION OF ANY CONTENT TO OTHERS, WITHOUT EXPRESS AUTHORIZATION, IS PROHIBITED.

THIS DOCUMENT IS IN ACCORDANCE WITH ASME Y14.5-2019. SEE APTIV ENGINEERING DESIGN STANDARD 06-2017 FOR ISO 1101:2004 DIMENSIONAL REQUIREMENTS.

ALL DIMENSIONS ARE IN MILLIMETERS

THIRD ANGLE PROJECTION
DO NOT SCALE
USE MATH DATA

DRAWING NUMBER: TAXI TERM F OCS 1.2
DRAWING NUMBER: 13543112
SIZE: A0
SCALE: 10:1
FRAME NO: 1 OF 1
SHEET NO: 8 OF 8
STG REV: R 05

X-ON Electronics

Largest Supplier of Electrical and Electronic Components

Click to view similar products for [Automotive Connectors](#) category:

Click to view products by [APTIV](#) manufacturer:

Other Similar products are found below :

[003-018-000](#) [60403001](#) [60993906-B](#) [629515004020001](#) [M902-2131](#) [M902-2161](#) [72.330.1035.1](#) [73.353.4028.0](#) [F119300-B](#) [F166900](#)
[F258300-B](#) [F358300-B](#) [F407400](#) [F444110](#) [F487000](#) [F509500B-B](#) [827153-1](#) [8N1515-32-24P](#) [9-1326729-8](#) [925474-1](#) [928905-1](#) [964562-4](#)
[968782-1](#) [GT17SA-8DS-HU](#) [98891-1012](#) [98947-1016](#) [12004475-L](#) [12010290](#) [12010309-B](#) [12015454](#) [12020219-B](#) [12020308](#) [12041318-B](#)
[12052225-L](#) [12052466](#) [12059125](#) [12064869](#) [12004327-B](#) [12010503-B](#) [12015308](#) [12015384](#) [12015909](#) [1-21030-1](#) [12041254](#) [12041318](#)
[12047946-B](#) [12047957](#) [12047957-L](#) [12059473](#) [12066261](#)