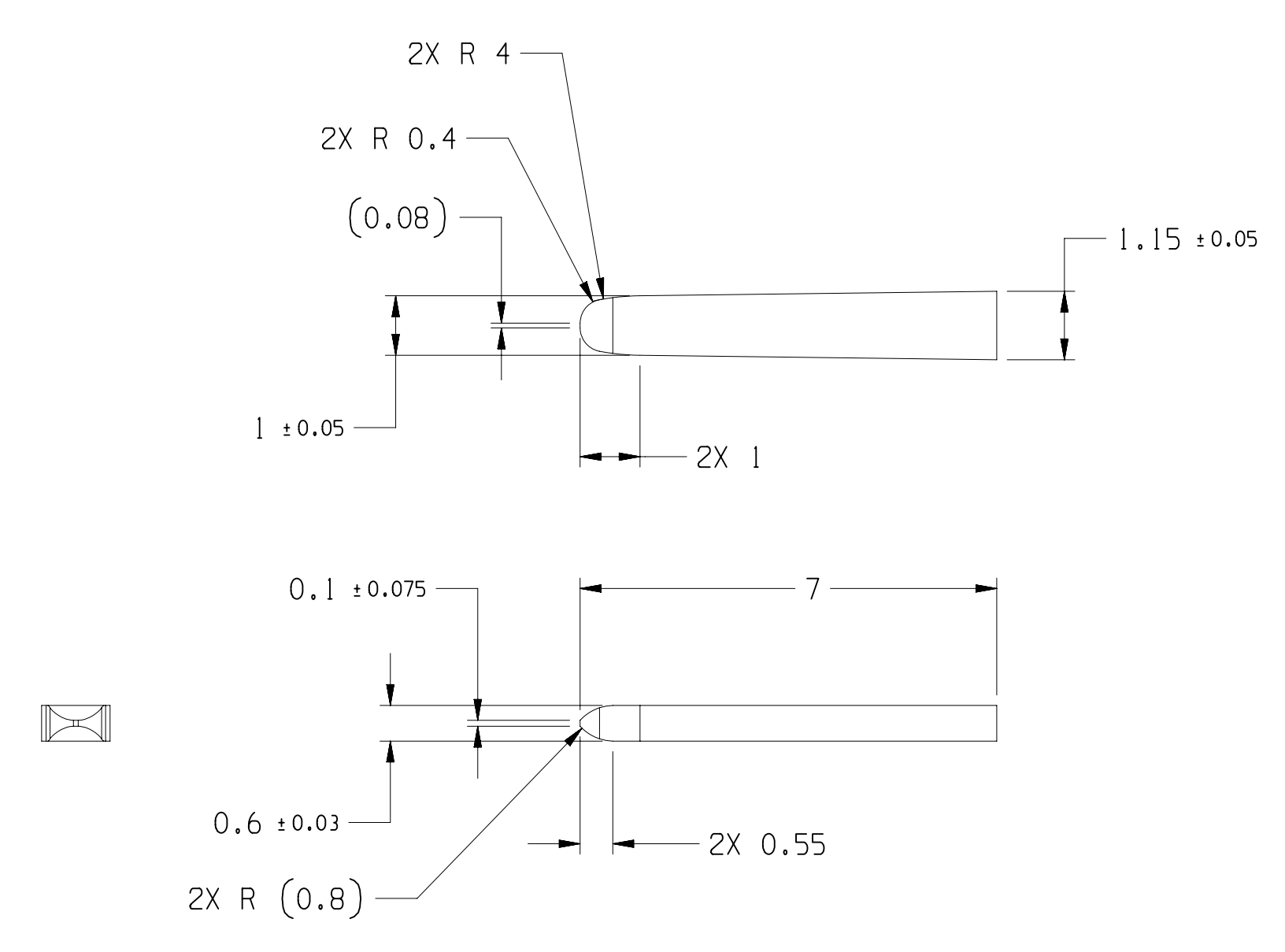
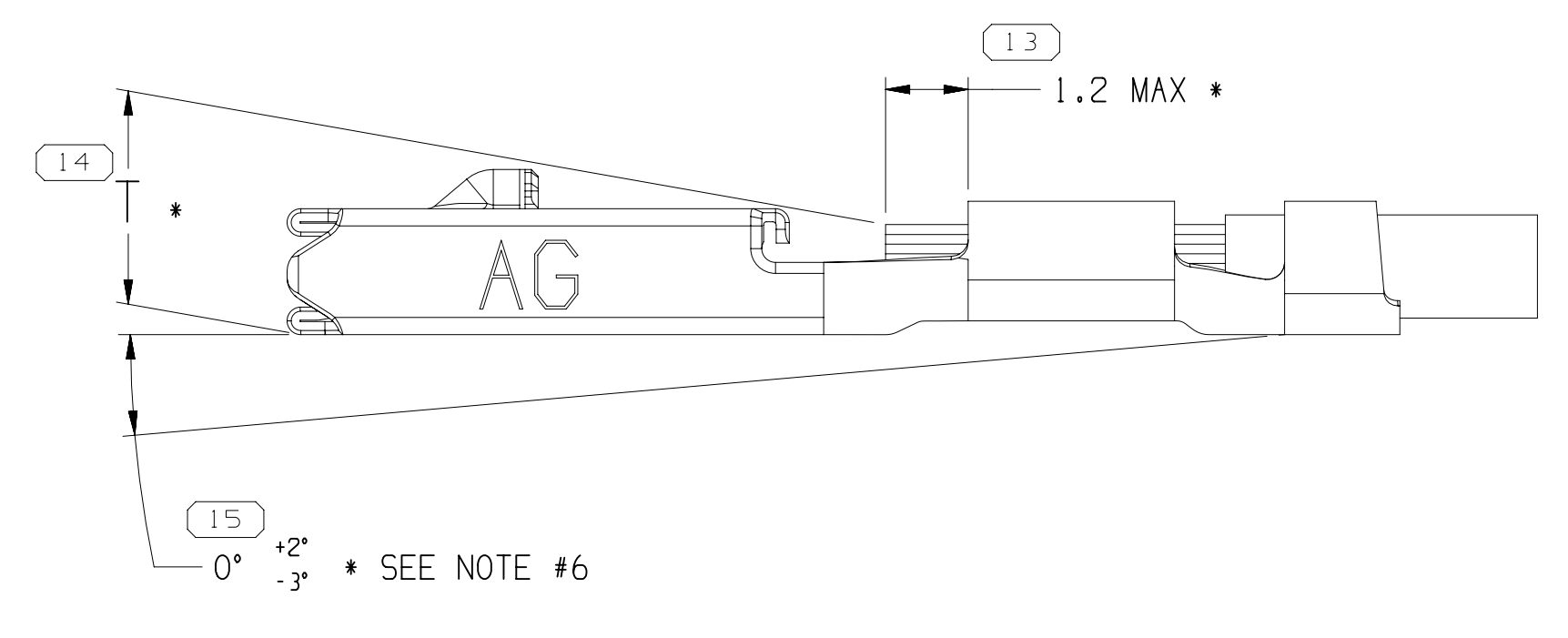


SYMBOL DEFINITION		TOTAL NO OF INSPECTIONS REQUIRED	22
A DIMENSION WITHOUT AN INSPECTION REPORT SYMBOL DOES NOT REQUIRE INSPECTION. IT MAY BE CONTROLLED ON THE INDIVIDUAL COMPONENT DRAWING.		LAST NO. USED	19

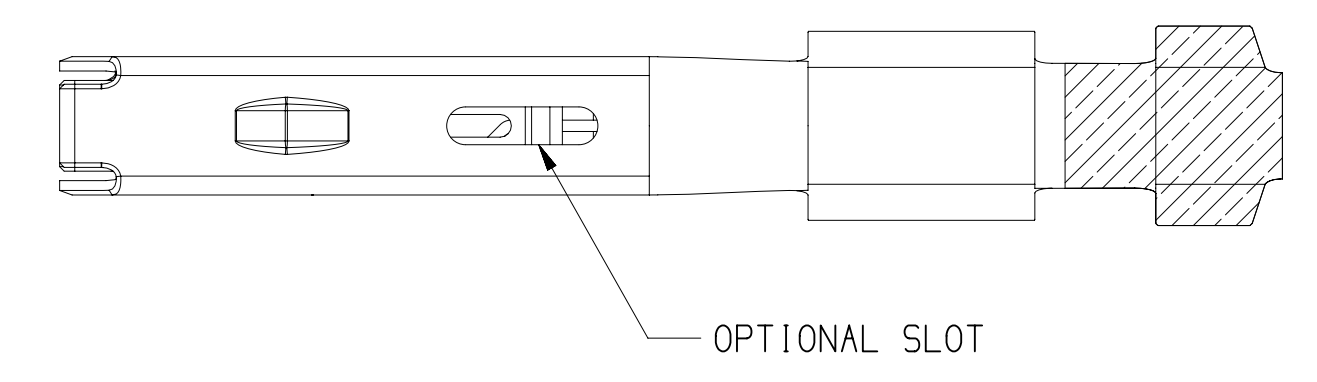
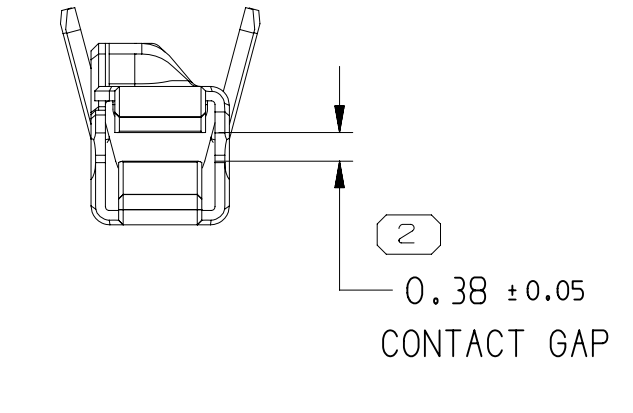
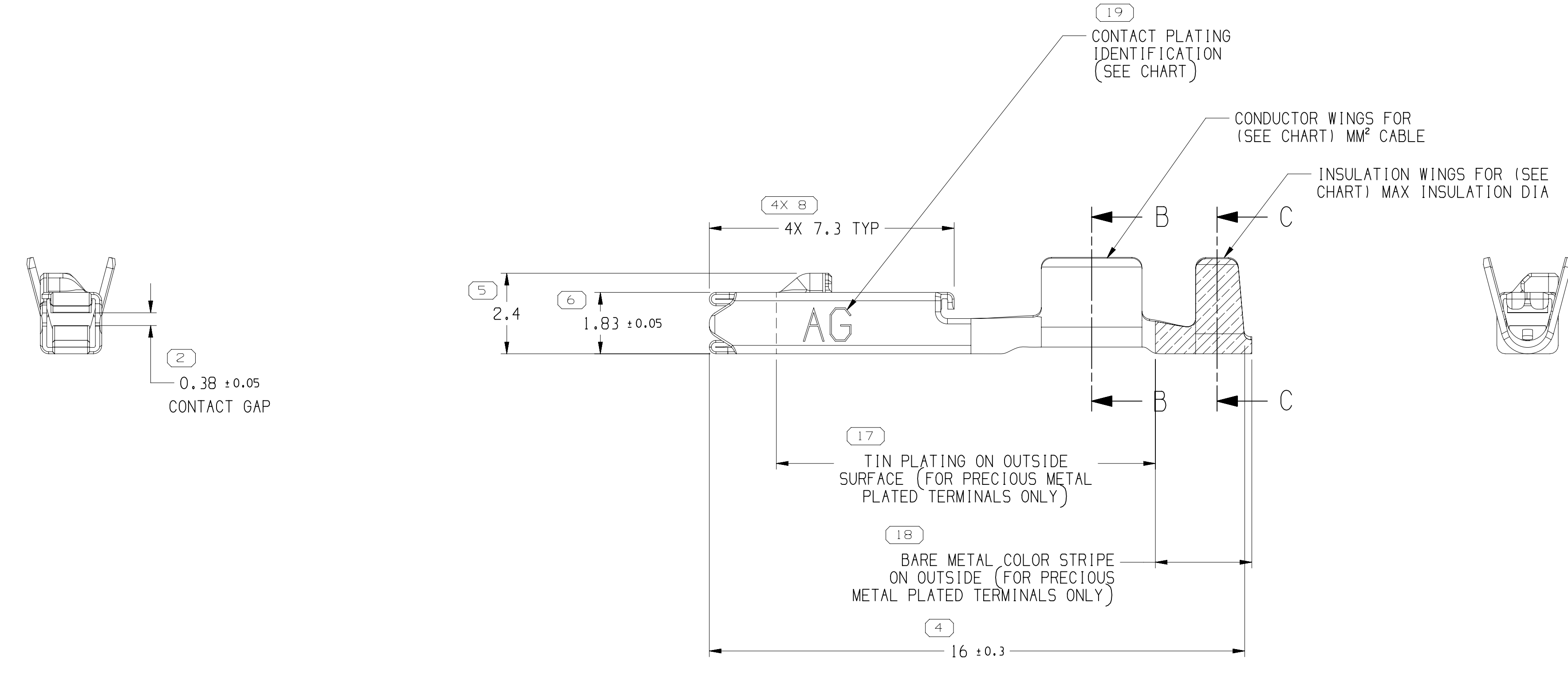
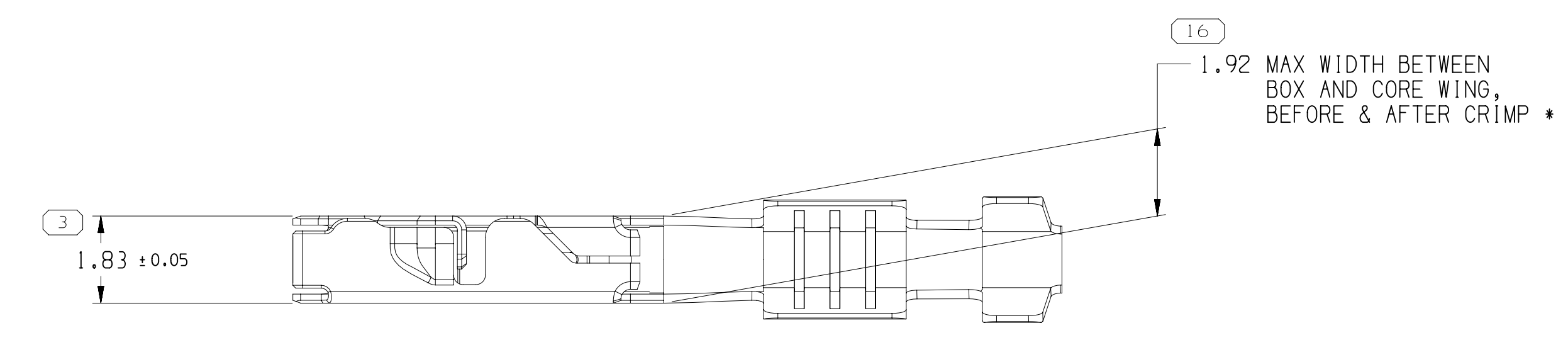
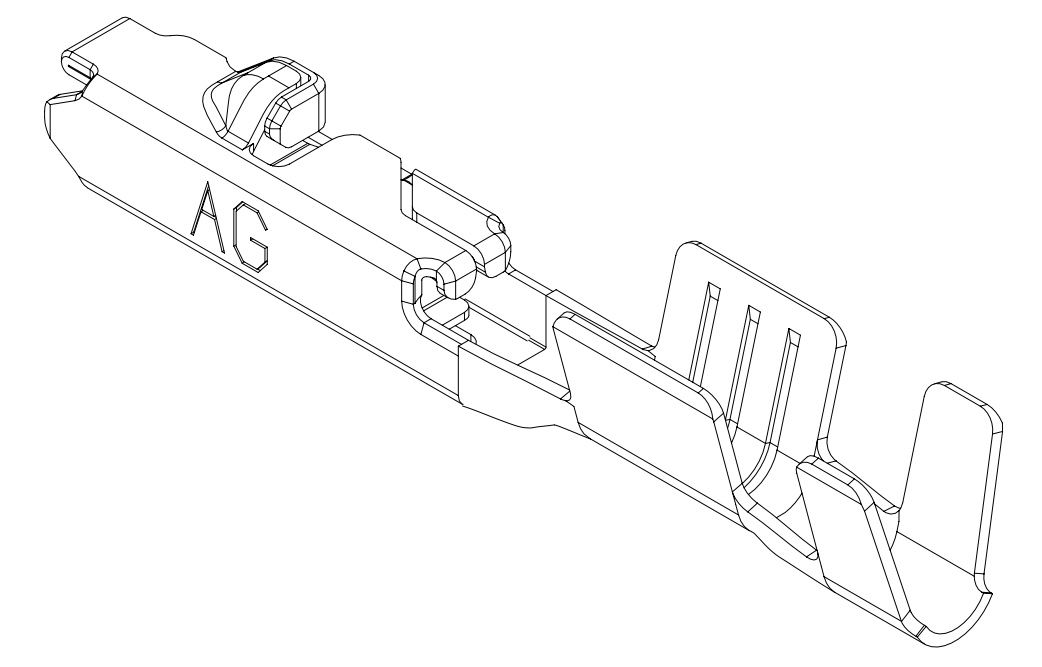
MISSING SYMBOLS		1	7							
DATE	STG	REV	N/P	CHG	ZONE	REVISION HISTORY	AUTH	DR	APVD	APVD
28FE19	R	01	-	-		ALL PARTS - RELEASED PART DRAWING	442472	LVD	RBS	RBS
26AP19	R	02	-	-		35072397-98 - UPDATED PART AVAILABILITY	443031	JLL	JAA	OMS
17.N19	R	03	-	-		35072396 - UPDATED PART AVAILABILITY	443686	GDH	JAA	OMS
29N019	R	04	-	-		35072396 - SIZE WAS 0.35-0.5 & DIA WAS 1.47-1.9; 35410017 - RELEASED	550373	LVD	JAA	RBS



RECOMMENDED MATING BLADE CONFIGURATION
SCALE 10:1



TERMINAL, CABLE CRIMP ALIGNMENT & POSITION



- NOTES
- UNLESS OTHERWISE SPECIFIED AND/OR INDICATED:
 - DIMENSIONS ARE TO FACE OF VIEW SHOWN AND AUTOMATICALLY ROUNDED BY COMPUTER FOR INSPECTION (SEE MATH MODEL FOR PRECISE DIMENSIONS). FOR ALL OTHER DIMENSIONS NOT SHOWN BUT REQUIRED FOR TOOL BUILD, SEE MATH MODEL FOR PRECISE TOOL PATH DATA.
 - RECOMMENDED MATING BLADE THICKNESS 0.6±0.03 MM OR 0.64±0.03 MM
RECOMMENDED MATING BLADE WIDTH NOT TO EXCEED 1.2 MM AND NO LESS THAN 0.61 MM.
 - MAXIMUM CURRENT CAPACITY IS 10 AMPS WITH 0.8 MM² COPPER CABLE.
 - CRIMP DIMENSION FROM THE BACK OF THE CORE WING INCLUDES THE FLARE OUT FROM THE CORE WING TO THE END OF THE INSULATION WING.
 - 2.05 MM MAX WIDTH, 2.1 MM MAX HEIGHT FOR CABLE SIZE UP TO 1.9 MM O.D.
 - 2.35 MM MAX WIDTH, 2.40 MM MAX HEIGHT FOR CABLE SIZE BETWEEN 1.86 TO 2.25 MM O.D.
 - 2.67 MM MAX WIDTH, 2.67 MM MAX HEIGHT FOR CABLE SIZE BETWEEN 2.25 TO 2.40 MM O.D.
 - * DENOTES DIMENSIONS MADE AT CUT-OFF & CRIMP DIE.
 - PLUS ANGLE IS WING BOTTOM SURFACE ROTATED COUNTERCLOCKWISE AGAINST THE BOX BOTTOM SURFACE.

PART NO	REV	N/P	MAT'L SIZE	MAT'L SPEC	CONTACT PLATING	CONTACT PLATING I.D.	SIZE (MM²)	ID	DIA	B ₁ ±0.2	B ₂ ±0.3	(H ₁)	(H ₂)	T MAX
35410017	01	-	0.19 X 26.78	SILVER PLATED COPPER ALLOY	SILVER	AG	0.35	22	1.2 - 1.7	1.8	2.4	1.75	2.4	1.4
35072398	01	AA	0.19 X 26.78	SILVER PLATED COPPER ALLOY	SILVER	AG	0.8-1.0	17	1.86 - 2.4	2.5	2.8	2.7	2.8	1.6
35072397	01	AA	0.19 X 26.78	SILVER PLATED COPPER ALLOY	SILVER	AG	0.75-0.8	18	1.7 - 1.9	2.5	2.5	2.7	2.5	1.5
35072396	01	AB	0.19 X 26.78	SILVER PLATED COPPER ALLOY	SILVER	AG	0.5	21	1.4 - 1.9	2	2.4	2.1	2.4	1.4

FROM	TO	TOLERANCE UNLESS OTHERWISE SPECIFIED	ANGULAR TOLERANCE
0	12	±0.1	±2°
12	25	±0.2	
25	∞	±0.3	

APTIV
CONNECTION SYSTEMS
WARREN, OH
COPYRIGHT 2019 APTIV. ALL RIGHTS RESERVED.
THIS DRAWING IS THE PROPERTY OF APTIV AND CONTAINS APTIV CONFIDENTIAL INFORMATION. THE REPRODUCTION, DISTRIBUTION AND UTILIZATION OF THIS DOCUMENT OR ITS RELATED CAD DATA, AS WELL AS COMMUNICATION OF ANY CONTENT TO OTHERS, WITHOUT EXPRESS AUTHORIZATION, IS PROHIBITED.

DR: LUIS VILLARREAL
APVD1: ROBERT B SNADER
APVD2: ROBERT B SNADER
APVD3: ROBERT B SNADER
APVD4: ROBERT B SNADER

DATE: 28FE19
DISTR CODE: D

THIS DOCUMENT IS IN ACCORDANCE WITH ASME Y14.5-2019. SEE APTIV ENGINEERING DESIGN STANDARD 06-2017 FOR ISO 1101:2004 RECOMMENDATION REQUIREMENTS.

ALL DIMENSIONS ARE IN MILLIMETERS

THIRD ANGLE PROJECTION
DO NOT SCALE
USE MATH DATA

DRAWING NUMBER: TAXI TERM F OCS 1.2
DRAWING NO: 13543112
SIZE: A0
SCALE: 10:1
FRAME NO: 1 OF 1
SHEET NO: 10 OF 10
STG REV: R 04

X-ON Electronics

Largest Supplier of Electrical and Electronic Components

Click to view similar products for [Automotive Connectors](#) category:

Click to view products by [APTIV](#) manufacturer:

Other Similar products are found below :

[003-018-000](#) [60403001](#) [60993906-B](#) [629515004020001](#) [M902-2131](#) [M902-2161](#) [72.330.1035.1](#) [73.353.4028.0](#) [F119300-B](#) [F166900](#)
[F258300-B](#) [F358300-B](#) [F407400](#) [F444110](#) [F487000](#) [F509500B-B](#) [827153-1](#) [8N1515-32-24P](#) [9-1326729-8](#) [925474-1](#) [928905-1](#) [964562-4](#)
[968782-1](#) [GT17SA-8DS-HU](#) [98891-1012](#) [98947-1016](#) [12004475-L](#) [12010290](#) [12010309-B](#) [12015454](#) [12020219-B](#) [12020308](#) [12041318-B](#)
[12052225-L](#) [12052466](#) [12059125](#) [12064869](#) [12004327-B](#) [12010503-B](#) [12015308](#) [12015384](#) [12015909](#) [1-21030-1](#) [12041254](#) [12041318](#)
[12047946-B](#) [12047957](#) [12047957-L](#) [12059473](#) [12066261](#)