

CHARGE PIGTAILS



IEC62196 Type II
Rubber Over Mold

BENEFITS

- Superior durability and proven in automotive mass production
- Vehicle to charging station connection
- UL, CE, CQC marking / certification

FEATURES

- SAE J1772/IEC62196 Type I, IEC62196 Type II, and GB/T 20234 standards
- Wiring crimps sealed from environment
- Different design options



AVAILABLE CONFIGURATIONS

Design	Plastic handle or rubber over mold
Outlet Standard	UL, CE, CQC



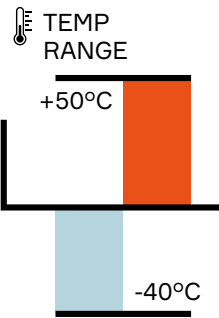
APPLICATIONS

- Grid-to-vehicle
- Infrastructure to electric vehicle charging

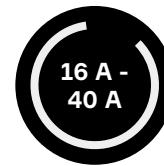


TECHNICAL CHARACTERISTICS

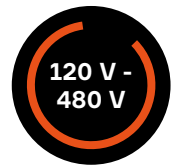
Mating Cycles 10 000



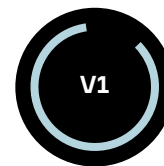
MAX CURRENT AT 85°C



VOLTAGE RANGE



VIBRATION LEVEL



SEALING CLASS



Individual wiring crimps

See back page for representative part numbers and packaging dimensions.

About Aptiv

Aptiv is a global technology company that develops safer, greener and more connected solutions enabling the future of mobility.

Visit [aptiv.com](https://www.aptiv.com) →

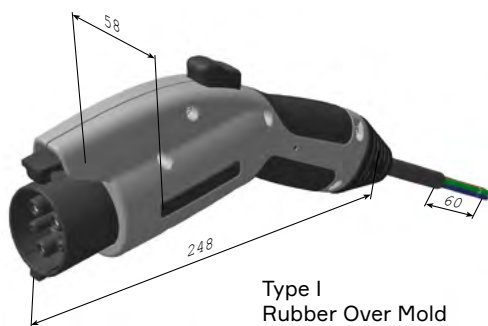


• **APTIV** •

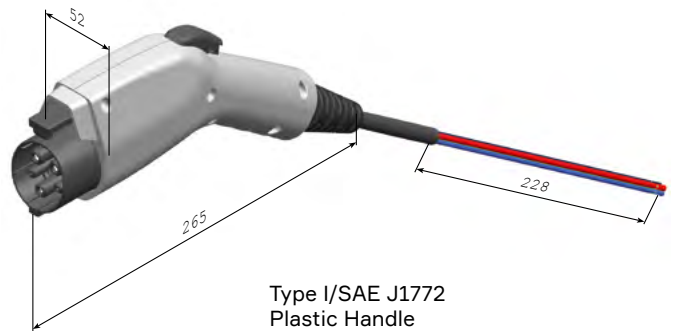
Part number	Type (veh/wall)	Design	Current	# Phase	Cable Length	Cable Section	Certification
33248422	Type I/SAE J1772	Plastic Handle	18A	1-phase	7.0 / 23	3G AWG14 + 0.8	UL
33248425	Type I/SAE J1772	Plastic Handle	25A	1-phase	7.6 / 25	3G AWG12 + 0.8	UL
35078184	Type I/SAE J1772	Plastic Handle	40A	1-phase	7.6 / 25	3G AWG10 + 0.8	UL
33155748	Type I	Rubber Over Mold	20A	1-phase	5.0 / 16.40	3G2.5 + 0.5	CE
33155747	Type II	Rubber Over Mold	20A	1-phase	5.0 / 16.40	3G2.5 + 0.5	CE
33155746	Type II	Rubber Over Mold	20A	3-phase	5.0 / 16.40	5G6 + 0.5	CE
33155745	Type II	Rubber Over Mold	32A	3-phase	5.0 / 16.40	5G6 + 0.5	CE
33502596	Type II	Plastic Handle	16A	1-phase	6.5 / 21.32	3G2.5 + 0.75	CE
33366532	GBT	Plastic Handle	16A	1-phase	7.5 / 24.6	3G2.5 + 0.5	CQC
33366674	GBT	Plastic Handle	32A	1-phase	7.5 / 24.6	3G2.5 + 0.75	CQC

For more specific information, please contact your Aptiv representative.

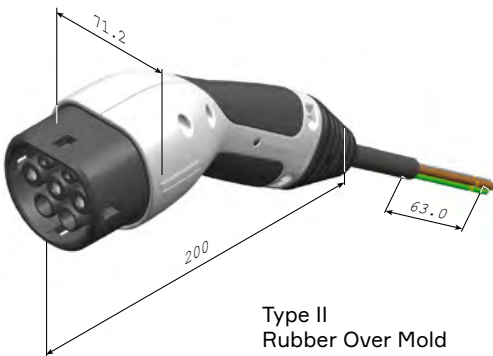
DIMENSION MEASUREMENT SAMPLE



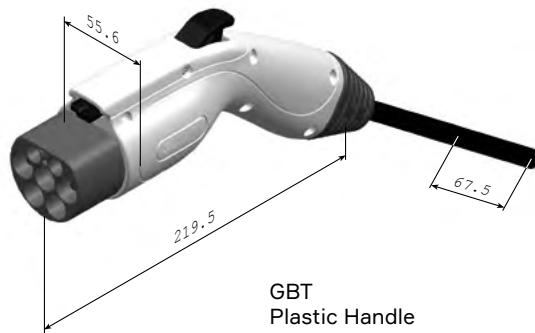
Type I
Rubber Over Mold



Type I/SAE J1772
Plastic Handle



Type II
Rubber Over Mold



GBT
Plastic Handle

The dimensions are in mm.

COMPATIBLE WITH



*For more information, please contact your Aptiv representative.

Part numbers, specifications, dimensions and performance data in this document are for general references only and are subject to change without notice. To verify product information, please contact an Aptiv representative.

CS-SP95-HV-En1019

X-ON Electronics

Largest Supplier of Electrical and Electronic Components

Click to view similar products for [Specialised Cables category](#):

Click to view products by [APTIV manufacturer](#):

Other Similar products are found below :

[603PT6](#) [603SS6L](#) [604PT6](#) [604SS6](#) [706000D02F200](#) [910640](#) [96CB-L2020PIB2](#) [1200740077](#) [1200740114](#) [AC172](#) [ACL-SSI-4](#)
[R88ACAKA0015SRE](#) [R88ACAWL005SDE](#) [R88ACRGD0R3C](#) [1300150047](#) [1300660036](#) [1302262116](#) [1300150149](#) [1300220020](#)
[1300220104](#) [1300220119](#) [1301240492](#) [1301810221](#) [1365323-1](#) [176P12](#) [1971465-2](#) [20240400003](#) [20240400013](#) [2085828-1](#) [20886510030](#)
[2-22733-8](#) [22733-8](#) [CB-5PSBC-RS](#) [CB-704EC-RS](#) [CB-BATACC-RS](#) [CB-JST3PSW-RS](#) [CB-M12COM-R10](#) [25AC84](#) [25AK84X](#) [25AU25](#)
[25FN82](#) [AC118](#) [ACL-HHS-1M\(CAT5E\)](#) [SSL009PC2DC012N](#) [FC2A-KC6C](#) [2085828-2](#) [20886510150](#) [CCS-FCB-5](#) [CCSF2CBF2](#) [R88A-](#)
[CRWB020N](#)