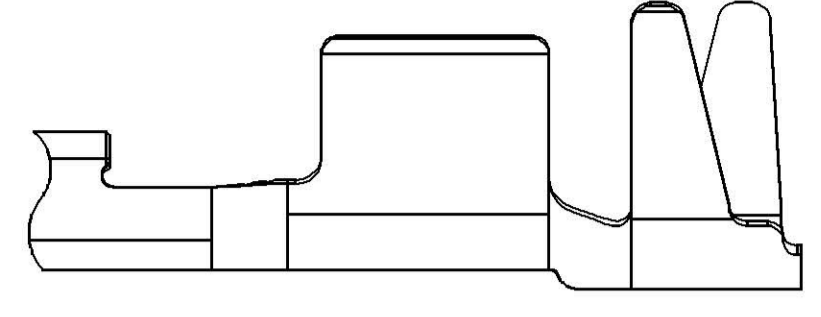
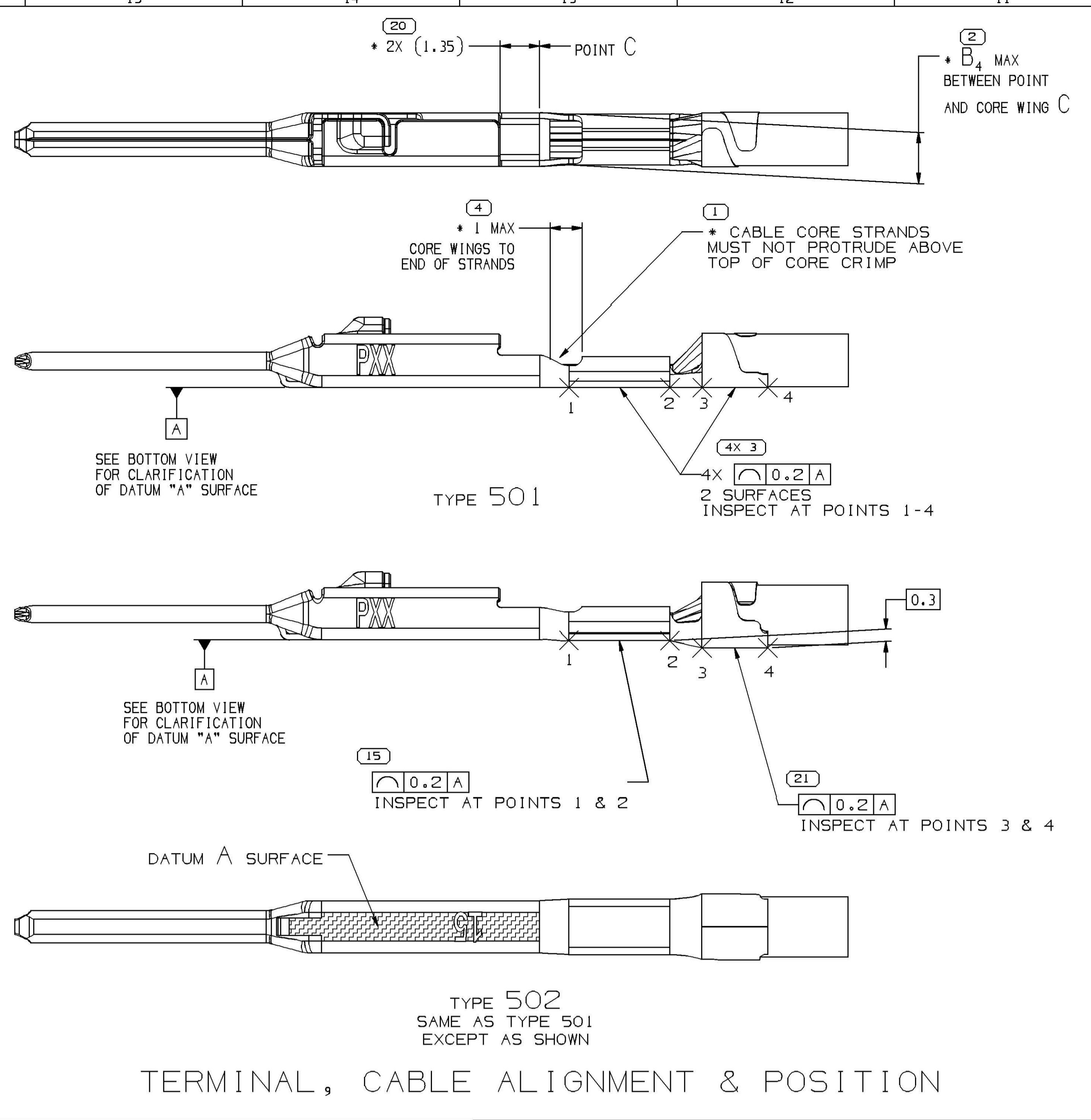
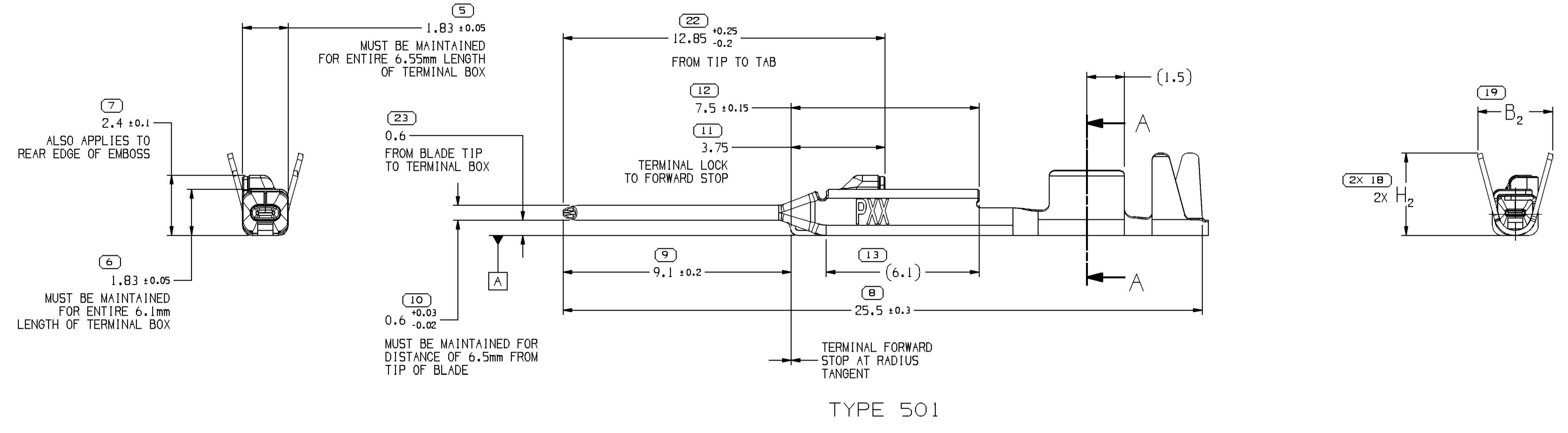
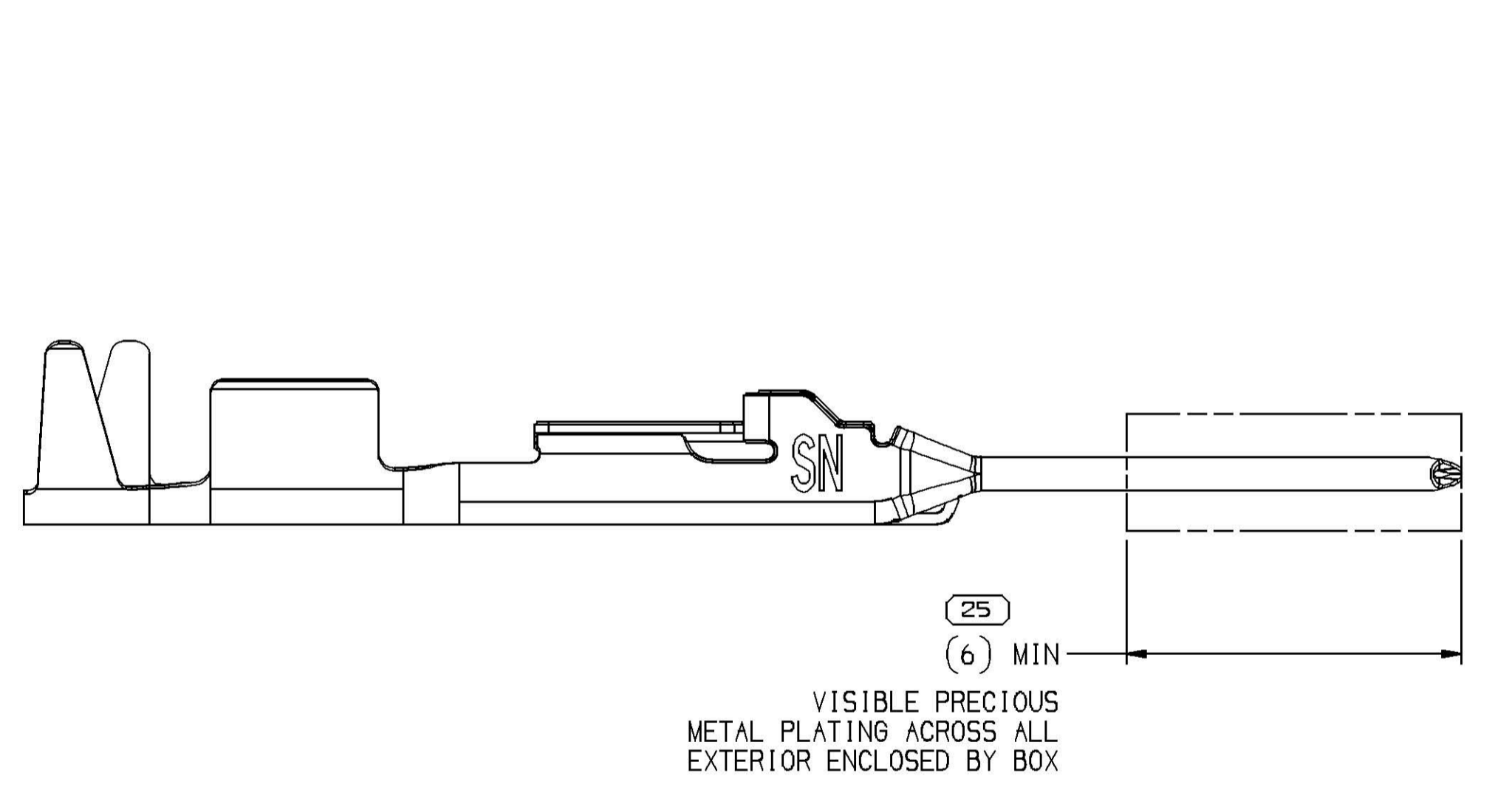
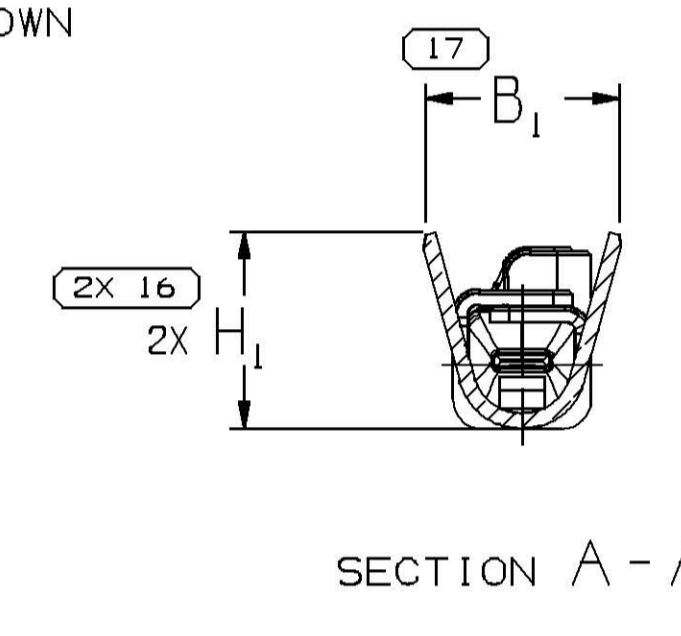
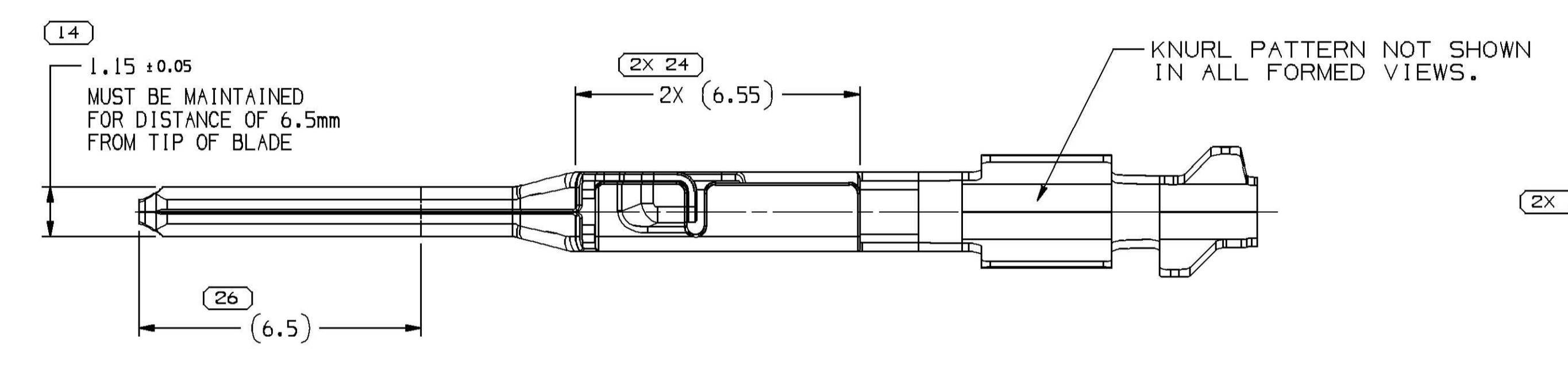
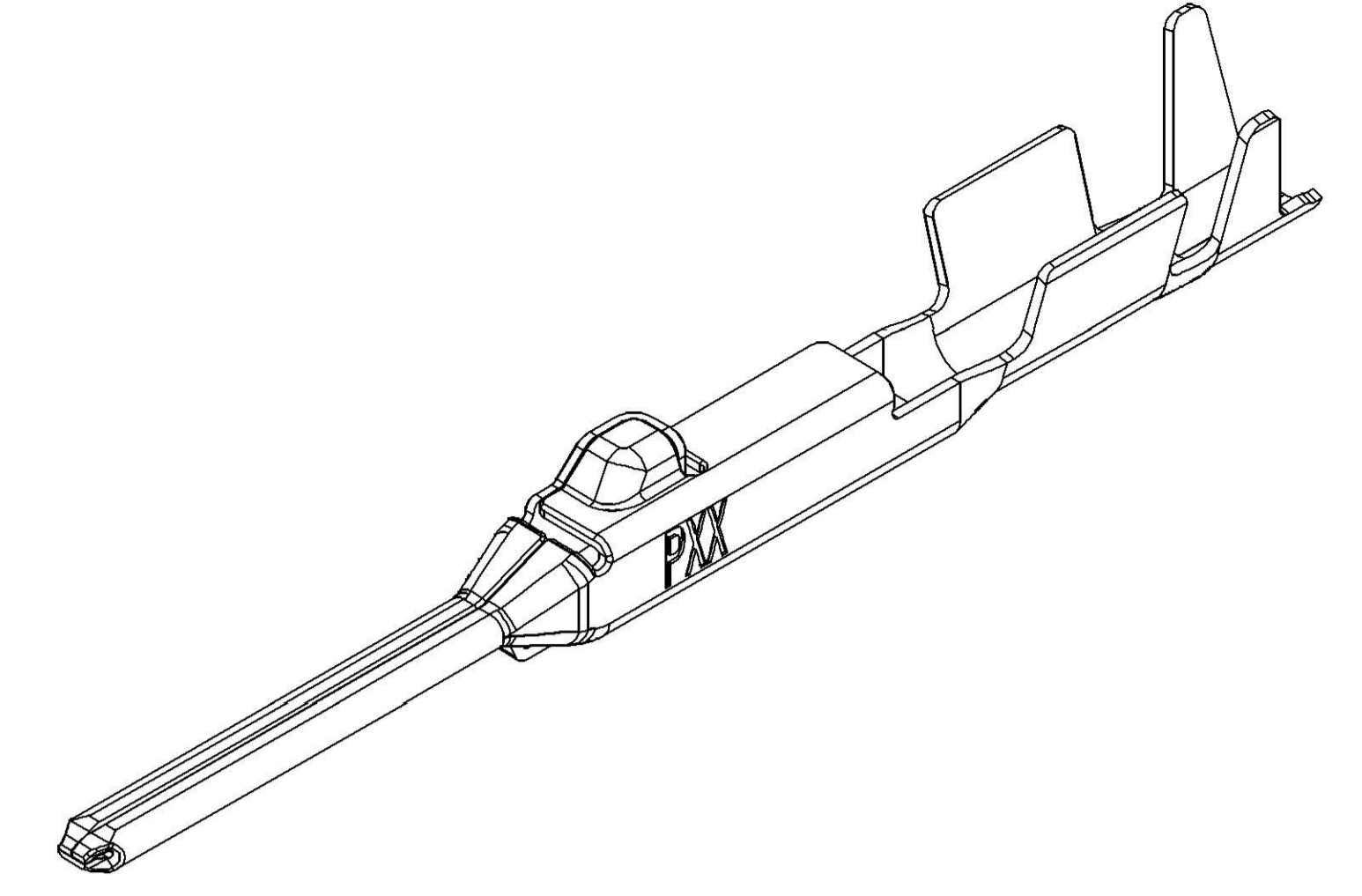


DWS STATUS		ZONE		REVISION HISTORY		AUTH	DR	APVD	APVD
DATE	STG	REV	N/P	CHG					
02AP18	R	01	-	-	ALL PARTS - RELEASED PART DRAWING	439407	ABC	ABC	RBS

SYMBOL DEFINITION	TOTAL NO. OF INSPECTIONS REQUIRED	MISSING SYMBOLS
A DIMENSION WITHOUT AN INSPECTION REPORT SYMBOL DOES NOT REQUIRE INSPECTION. IT MAY BE CONTROLLED ON THE INDIVIDUAL COMPONENT DRAWING.	32	NO MISSING SYMBOLS
	LAST NO. USED	26

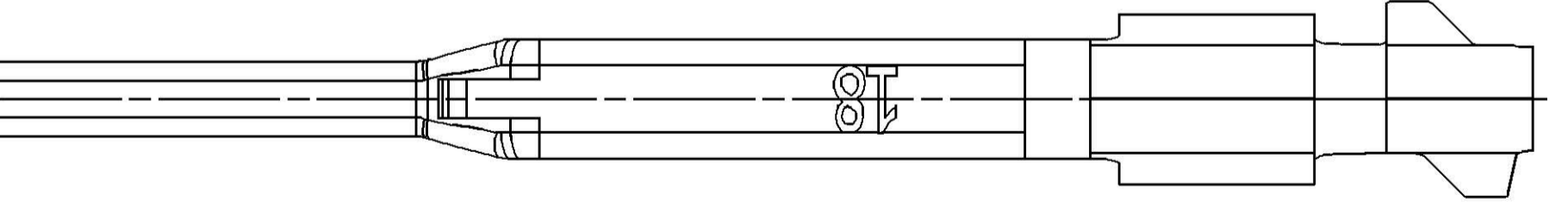


TYPE 402
SAME AS TYPE 401
EXCEPT AS SHOWN



TYPE 501

- NOTES
- UNLESS OTHERWISE SPECIFIED AND/OR INDICATED: DIMENSIONS ARE TO FACE OF VIEW SHOWN AND AUTOMATICALLY ROUNDED BY COMPUTER FOR INSPECTION (SEE MATH MODEL FOR PRECISE DIMENSIONS). FOR ALL OTHER DIMENSIONS NOT SHOWN BUT REQUIRED FOR TOOL BUILD, SEE MATH MODEL FOR PRECISE TOOL PATH DATA.
 - FOR TYPE 401 WITH CABLE SIZES UP TO 1.9mm O.D.; MAXIMUM INSULATION CRIMP WIDTH OF 1.9mm AND HEIGHT 1.9mm; MAXIMUM CORE CRIMP WIDTH IS 1.9mm.
FOR TYPE 401 WITH CABLE SIZES GREATER THAN 1.9mm BUT LESS THAN 2.34mm O.D.; MAXIMUM INSULATION CRIMP WIDTH OF 2.25mm AND HEIGHT 2.35mm; MAXIMUM CORE CRIMP WIDTH IS 1.9mm.
FOR TYPE 402 WITH CABLE SIZES UP TO 2.4mm O.D.; MAXIMUM INSULATION CRIMP WIDTH OF 2.6mm AND HEIGHT 2.6mm; MAXIMUM CORE CRIMP WIDTH IS 1.9mm.
 - PLATING TYPE:
 - REFLOW TIN 1.9 - 3.3 MICROMETERS THICK OVER NICKEL UNDERPLATE 0.13 - 0.254 MICROMETERS THICK.
 - SILVER 1.0 - 2.0 MICROMETERS THICK OVER NICKEL UNDERPLATE 0.127 - 0.254 MICROMETERS THICK.
 - MATTE TIN 1.9 - 7.0 MICROMETERS THICK OVER NICKEL UNDERPLATE 0.127 - 0.254 MICROMETERS THICK. (FOR USE WITH SELECTIVE SILVER PLATING SPECIFICATION)
- PLATING TYPE INFORMATION SHOWN ABOVE IS REFERENCE ONLY. PLATING REQUIREMENTS ARE CONTAINED IN APPLICABLE MATERIAL SPECIFICATION.



PART NUMBER	REV	N/P	CABLE I.D. STATUS	TYPE	MATERIAL SPECIFICATION	MATERIAL SIZE	CONTACT PLATING TYPE (SEE NOTE 3)	CRIMP AREA PLATING TYPE (SEE NOTE 3)	CONTACT PLATING I.D.	CABLE I.D.	CABLE SIZE (mm ²)	CABLE DIAMETER	B ₁ ± 0.15	B ₂ ± 0.25	B ₄	(H ₁)	(H ₂)
35091063	01	-	-	501	TIN PLATED COPPER ALLOY	0.2 x 29.5	I	I	SN	25	0.13 - 0.22	0.81 - 1.2	1.5	1.8	1.65	1.4	1.8
35091062	01	-	-	501	TIN PLATED COPPER ALLOY	0.2 x 29.5	I	I	SN	21	0.35 - 0.5	1.2 - 1.83	2.1	2.85	1.85	2.05	3.15
35091061	01	-	-	501	TIN PLATED COPPER ALLOY	0.2 x 29.5	I	I	SN	18	0.75 - 1.0	1.7 - 2.34	2.6	3	1.88	2.6	3.3
35091060	01	-	SEE NOTE #9	502	TIN PLATED COPPER ALLOY	0.2 x 29.5	I	I	SN	15	1.25 - 1.5	1.8 - 2.4	3.1	3.9	2.2	3.1	3.8

UNLESS OTHERWISE SPECIFIED
THIS DOCUMENT IS IN ACCORDANCE WITH ASME Y14.5M-1994 AS MODIFIED BY THE 2018 SUPPLEMENT AND TELEPHONIC ADDRESS-2021. SEPARATE PATTERNS OF FEATURES MAY BE SHOWN SEPARATELY, IRRESPECTIVE OF DATUM REFERENCES.

ALL DIMENSIONS ARE IN MILLIMETERS

REFERENCE

THIRD ANGLE PROJECTION

DO NOT SCALE

USE MATH DATA

DELPHI
DELPHI PACKARD ELECTRICAL/ELECTRONIC ARCHITECTURE
WARREN, OH
COPYRIGHT 2018 DELPHI CORPORATION AND/OR ITS AFFILIATES. ALL RIGHTS RESERVED.

THIS DRAWING IS THE PROPERTY OF DELPHI CORPORATION AND CONTAINS DELPHI CONFIDENTIAL INFORMATION. THE REPRODUCTION, DISTRIBUTION AND UTILIZATION OF THIS DOCUMENT OR ITS CONTENTS TO ANY OTHERS, WITHOUT EXPRESS AUTHORIZATION, IS PROHIBITED.

DATE

OR

APVD1 A. GARCIA CABELLO 02AP18
APVD2 A. GARCIA CABELLO 02AP18
APVD3 ROBERT B. SNADER 03AP18
APVD4

SUBSTANCES OF CONCERN AND RECYCLED CONTENT PER DELPHI 10949901

MATERIAL SEE CHART

DRAWING NAME
TAXI TERM M OCS 1.2

DRAWING NUMBER
33101338

SIZE A0 SCALE 10:1 FRAME NO 1 OF 1 SHEET NO 5 OF 5 STG REV N/P R 01 -

X-ON Electronics

Largest Supplier of Electrical and Electronic Components

Click to view similar products for [Automotive Connectors](#) category:

Click to view products by [APTIV](#) manufacturer:

Other Similar products are found below :

[003-018-000](#) [60403001](#) [60993906-B](#) [629515004020001](#) [M902-2131](#) [M902-2161](#) [72.330.1035.1](#) [73.353.4028.0](#) [F119300-B](#) [F166900](#)
[F258300-B](#) [F358300-B](#) [F407400](#) [F444110](#) [F487000](#) [F509500B-B](#) [827153-1](#) [8N1515-32-24P](#) [9-1326729-8](#) [925474-1](#) [928905-1](#) [964562-4](#)
[968782-1](#) [GT17SA-8DS-HU](#) [98891-1012](#) [98947-1016](#) [12004475-L](#) [12010290](#) [12010309-B](#) [12015454](#) [12020219-B](#) [12020308](#) [12041318-B](#)
[12052225-L](#) [12052466](#) [12059125](#) [12064869](#) [12004327-B](#) [12010503-B](#) [12015308](#) [12015384](#) [12015909](#) [1-21030-1](#) [12041254](#) [12041318](#)
[12047946-B](#) [12047957](#) [12047957-L](#) [12059473](#) [12066261](#)