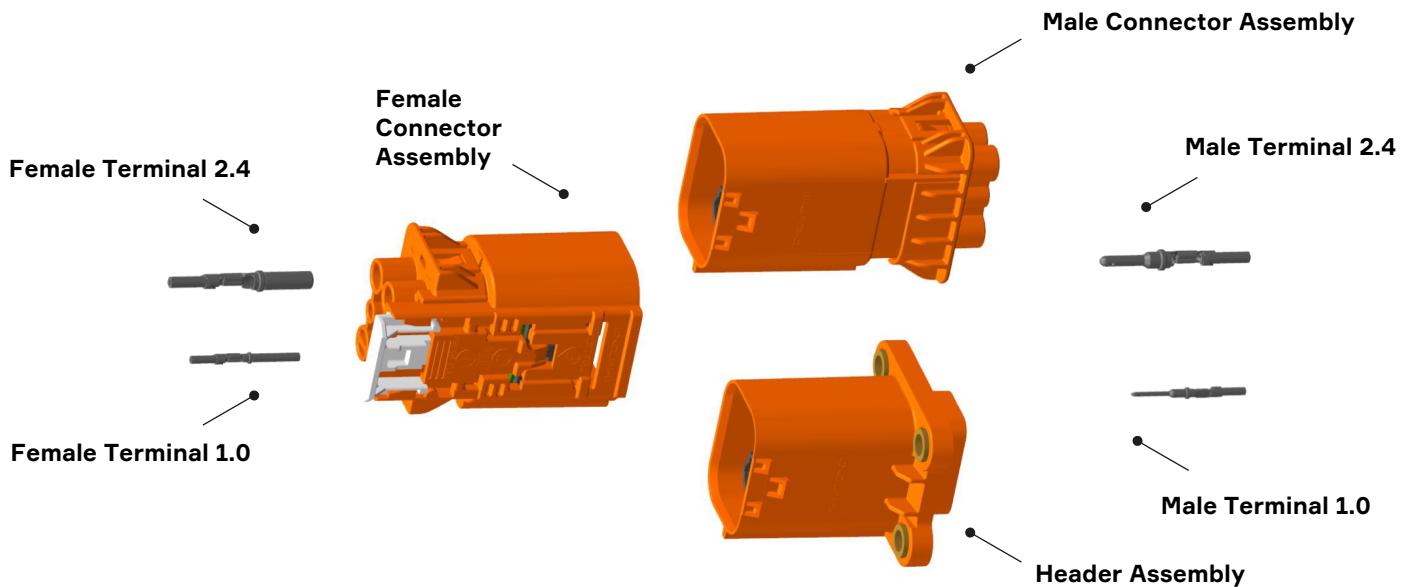
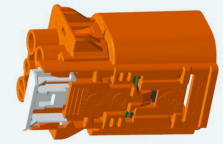


## HES240 Female Connector 5mm<sup>2</sup> ISO cable



### BENEFITS

- Inner connector with TPA can be plugged into header during device assembly (on wire-to-device)
- Industry-leading vibration and sealing performance
- Field proven design used across electrification market



### FEATURES

- Tool-less unmating system
- Finger proof/touch safe
- Aluminum compression bushings
- ISO cable compatible



### AVAILABLE CONFIGURATIONS

<b>Connector Type</b>	Wire-to-device, wire-to-wire
<b>Cable Exit Orientation</b>	90°, 180°
<b>Cable Range (mm<sup>2</sup>)</b>	2 - 5 (power) 0.5 (HVIL)
<b>Terminal Type</b>	CTS 2.8, Metri-pack 2.8
<b># of Power Terminals</b>	2
<b>Shielding Type</b>	Individual
<b>HVIL</b>	Shunt on female
<b>Assembly Assurance</b>	CPA/TPA
<b>Number of Indexes</b>	3 (180°), 1 (90°)



### BILL OF MATERIALS

**HES240 Female Connector, 5mm<sup>2</sup> ISO cable**  
Kit part number: 35602261 contains:

Part Number	Description	Quantity
13879046	Mating Connector	1
13663728	1.0 HES gold-plated 0.75–1.0 mm <sup>2</sup>	2
13783301	2.4 HES gold-plated 4–5 mm <sup>2</sup>	4

 PERFORMANCE



 ASSOCIATED PARTS

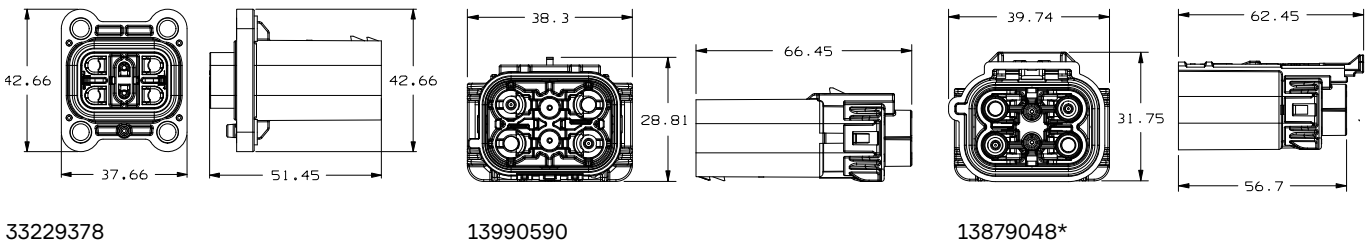
**HES240 Male Inline, 5mm<sup>2</sup> ISO cable**  
 Kit part number: 35605967 contains:

Part Number	Description	Quantity
13990588	Male Inline Connector	1
13663724	1.0 HES gold-plated 0.75–1.0 mm <sup>2</sup>	2
13783284	2.4 HES gold-plated 4–5 mm <sup>2</sup>	4

**HES240 Header, 5mm<sup>2</sup> ISO cable**  
 Kit part number: 35605968 contains:

33229376	6W Header	1
13663724	1.0 HES gold-plated 0.75–1.0 mm <sup>2</sup>	2
13783284	2.4 HES gold-plated 4–5 mm <sup>2</sup>	4

 DIMENSION MEASUREMENT SAMPLE



## X-ON Electronics

Largest Supplier of Electrical and Electronic Components

*Click to view similar products for [Headers & Wire Housings](#) category:*

*Click to view products by [APTIV](#) manufacturer:*

Other Similar products are found below :

[892-18-020-10-001101](#) [58102-G61-06LF](#) [582553-1](#) [0009485154](#) [009176003701906](#) [0050291907](#) [LY20-4P-DT1-P1E-BR](#) [02.125.8002.8](#)  
[609-3404](#) [61062-3](#) [622-0430](#) [622-3653LF](#) [63453-116](#) [636-1030](#) [636-1427](#) [636-3427](#) [636-4007](#) [641938-9](#) [641991-4](#) [644827-2](#) [65817-010LF](#)  
[65817-015LF](#) [65863-015LF](#) [66207-023LF](#) [67095-007LF](#) [67601157](#) [68648-049](#) [70.362.1628.0](#) [70-4210](#) [70-4226B](#) [70-4853B](#) [707-5020](#) [707-5028](#) [71.350.2428.0](#) [71918-208LF](#) [71961-016LF](#) [733-134](#) [733-162](#) [754199-000](#) [760-3052](#) [787-8014-00](#) [79531-3000](#) [FCN-360C032-B](#) [FCN-367T-T012/H](#) [FCN-723D010/2](#) [80.063.4001.1](#) [800-90-001-10-001000](#) [800-90-010-10-002000](#) [801-43-002-10-013000](#) [801-43-006-10-002000](#)