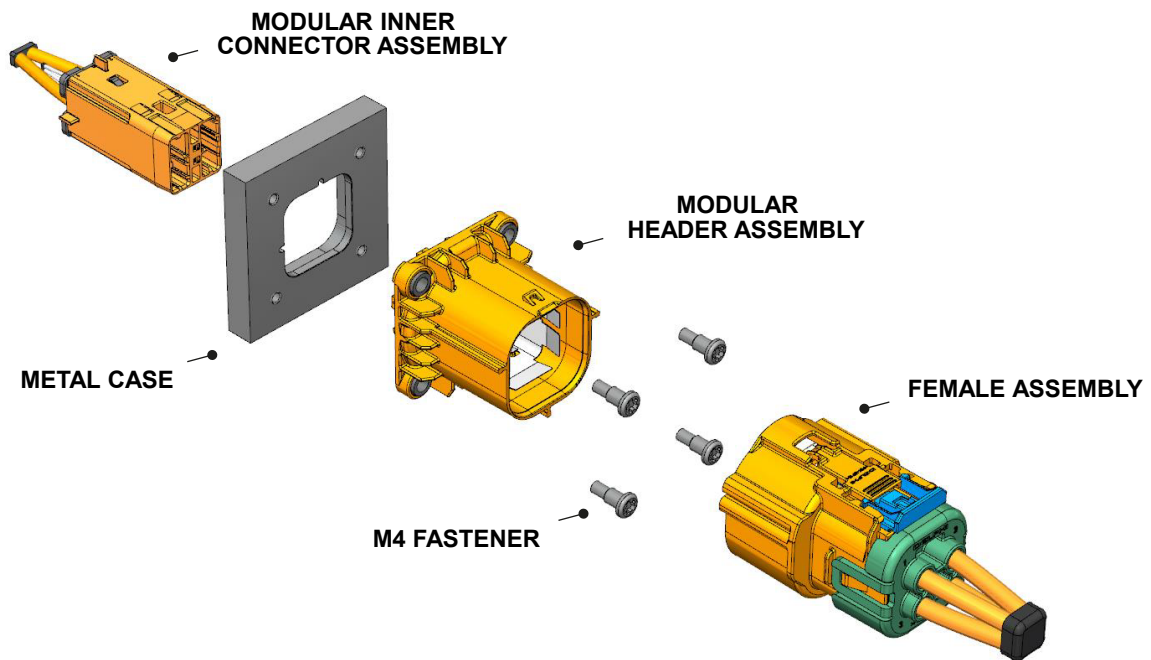
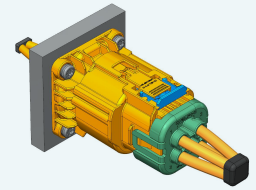


HV CTS280/630 Splice Header 5mm² ISO cable



BENEFITS

- Inner connector with TPA can be plugged into header during device assembly (on wire-to-device)
- Industry-leading vibration and sealing performance
- Field proven design used across electrification market



FEATURES

- Tool-less unmating system
- Finger proof/touch safe
- Aluminum compression bushings
- ISO cable compatible



AVAILABLE CONFIGURATIONS

Connector Type	Wire-to-device, wire-to-wire
Cable Exit Orientation	90°, 180°
Cable Range (mm²)	2 - 5 (power) 0.5 (HVIL)
Terminal Type	CTS 2.8, Metri-pack 2.8
# of Power Terminals	2
Shielding Type	Individual
HVIL	Shunt on female
Assembly Assurance	CPA/TPA
Number of Indexes	3 (180°), 1 (90°)



BILL OF MATERIALS

HV CTS280/630 Splice Header, 5mm² ISO cable
Kit part number: 35605969 contains:

Part Number	Description	Quantity
33300632	Header Outer	1
33311166	Header Inner Connector	1
13597855	MTS 0.64 HVIL female terminal 0.5–0.75 mm	2
33299800	630/280 male terminal 3–5 mm ²	2
33299799	TPA (Terminal Position Assurance)	2

PERFORMANCE



ASSOCIATED PARTS

HV CTS280/630 Splice Female Connector, 5mm² ISO cable
 Part Kit Number: 35583004 contains:

Part Number	Description	Quantity
33300634	Mating Connector	1
13882331	CTS 2.8 female terminal 3–5 mm ²	2
13984307	CTS 6.3 female terminal 4–6 mm ²	2
33292550	Inner ferrule 5 mm ² ISO cable	4
33292551	Outer ferrule 5 mm ² ISO cable	4
35072735	Female mat seal 5 mm ²	1
35072738	Mat seal retainer 5 mm ²	1

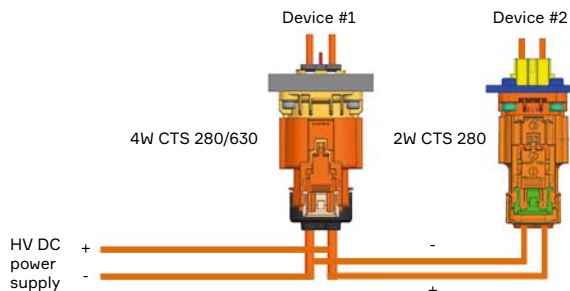
APPLICATION GUIDE

Power circuits shown, two sets of 2 in x 1 out



Terminal crimp wings are shown un-crimped.

Application Guide for Aptiv 4W CTS 630/280 Shielded Connection
 Typical Application – * Load Current Guidance



* Typical steady state currents with 5 mm² cable on all circuits

Input from DC power supply: 40–45 A
 Current to Device #1: ≤ 40 A
 Current to Device #2: ≤ 30 A

* Connector current ratings in vehicle applications will be affected by multiple factors including device heating, harness coverings, and device duty cycles. Please review application details with Aptiv Product Engineering for verification of current carrying capability.

X-ON Electronics

Largest Supplier of Electrical and Electronic Components

Click to view similar products for [Headers & Wire Housings](#) category:

Click to view products by [APTIV](#) manufacturer:

Other Similar products are found below :

[892-18-020-10-001101](#) [58102-G61-06LF](#) [582553-1](#) [0009485154](#) [009176003701906](#) [0050291907](#) [LY20-4P-DT1-P1E-BR](#) [02.125.8002.8](#)
[609-3404](#) [61062-3](#) [622-0430](#) [622-3653LF](#) [63453-116](#) [636-1030](#) [636-1427](#) [636-3427](#) [636-4007](#) [641938-9](#) [641991-4](#) [644827-2](#) [65817-010LF](#)
[65817-015LF](#) [65863-015LF](#) [66207-023LF](#) [67095-007LF](#) [67601157](#) [68648-049](#) [70.362.1628.0](#) [70-4210](#) [70-4226B](#) [70-4853B](#) [707-5020](#) [707-5028](#) [71.350.2428.0](#) [71918-208LF](#) [71961-016LF](#) [733-134](#) [733-162](#) [754199-000](#) [760-3052](#) [787-8014-00](#) [79531-3000](#) [FCN-360C032-B](#) [FCN-367T-T012/H](#) [FCN-723D010/2](#) [80.063.4001.1](#) [800-90-001-10-001000](#) [800-90-010-10-002000](#) [801-43-002-10-013000](#) [801-43-006-10-002000](#)