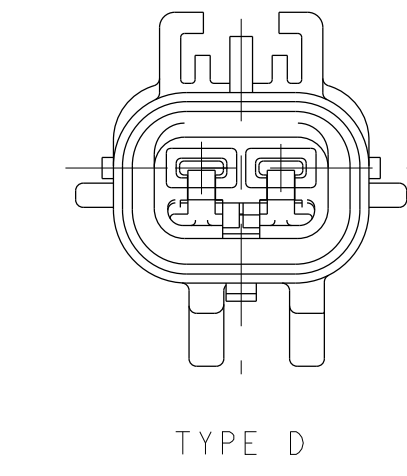
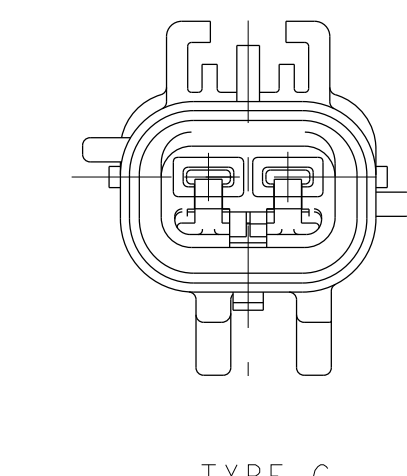
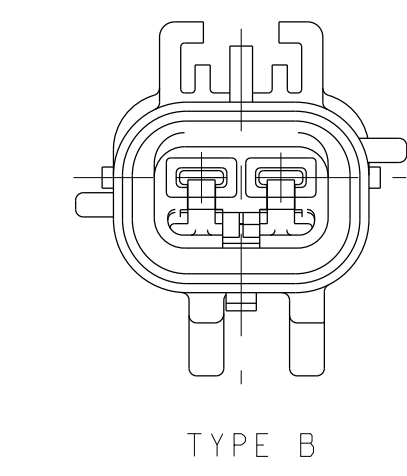
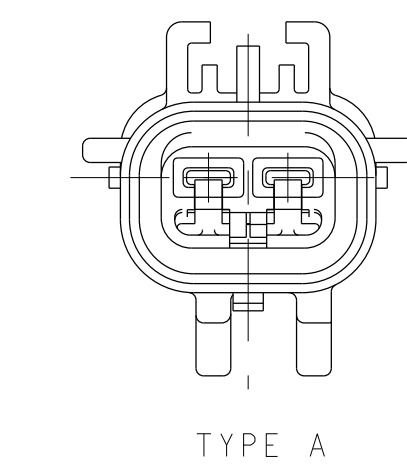
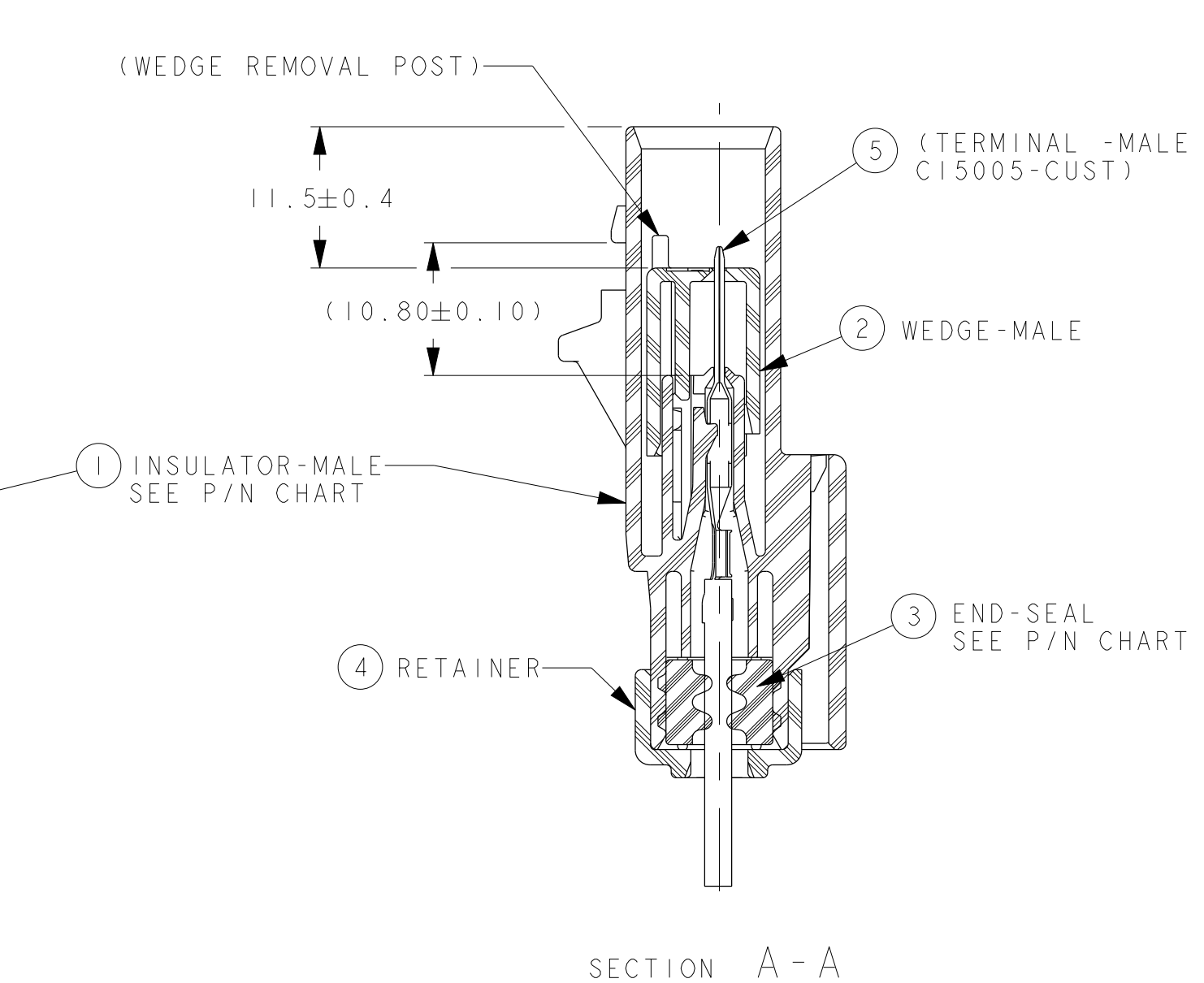
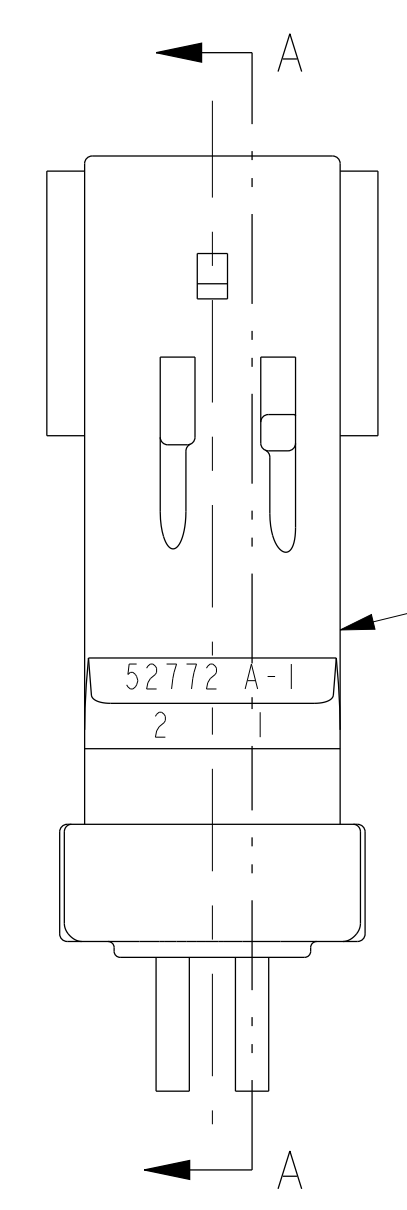
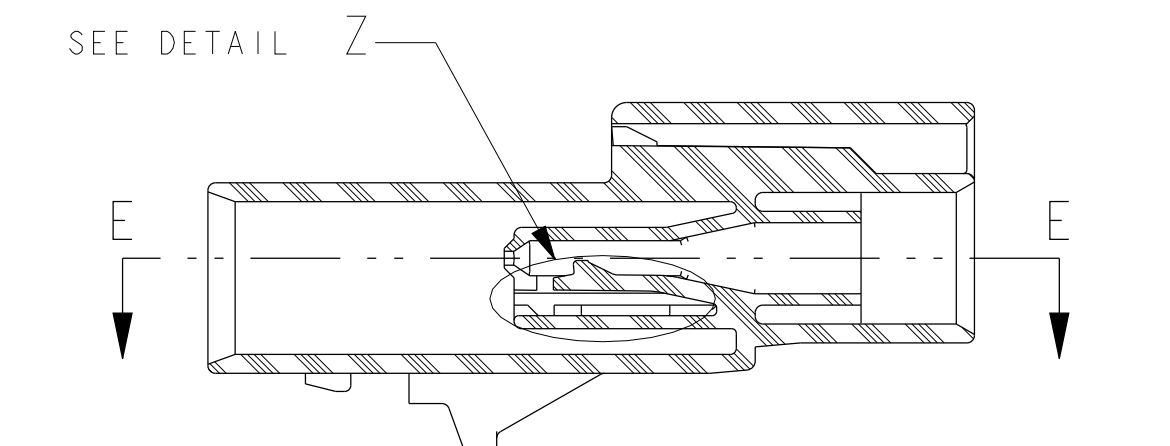
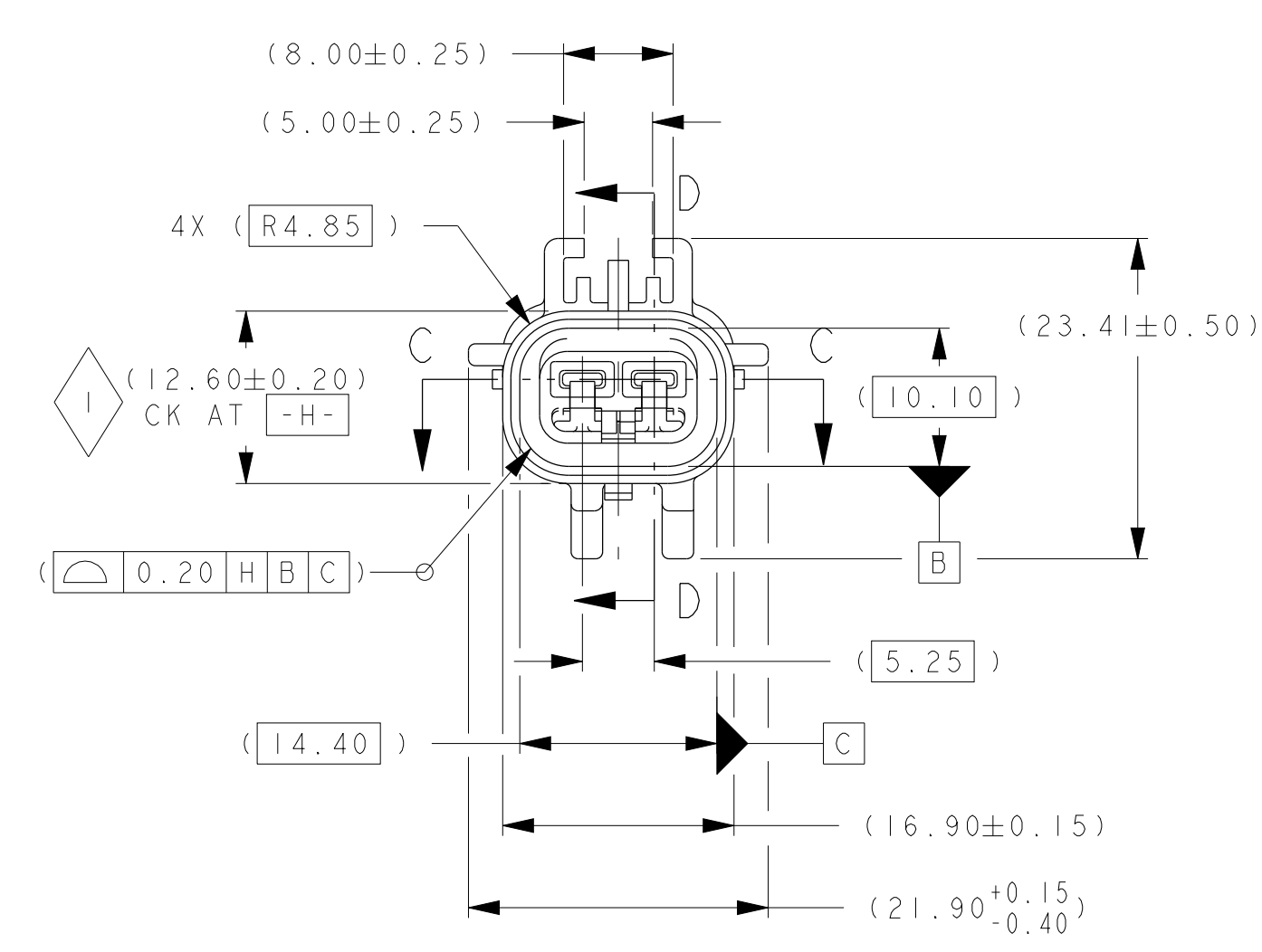
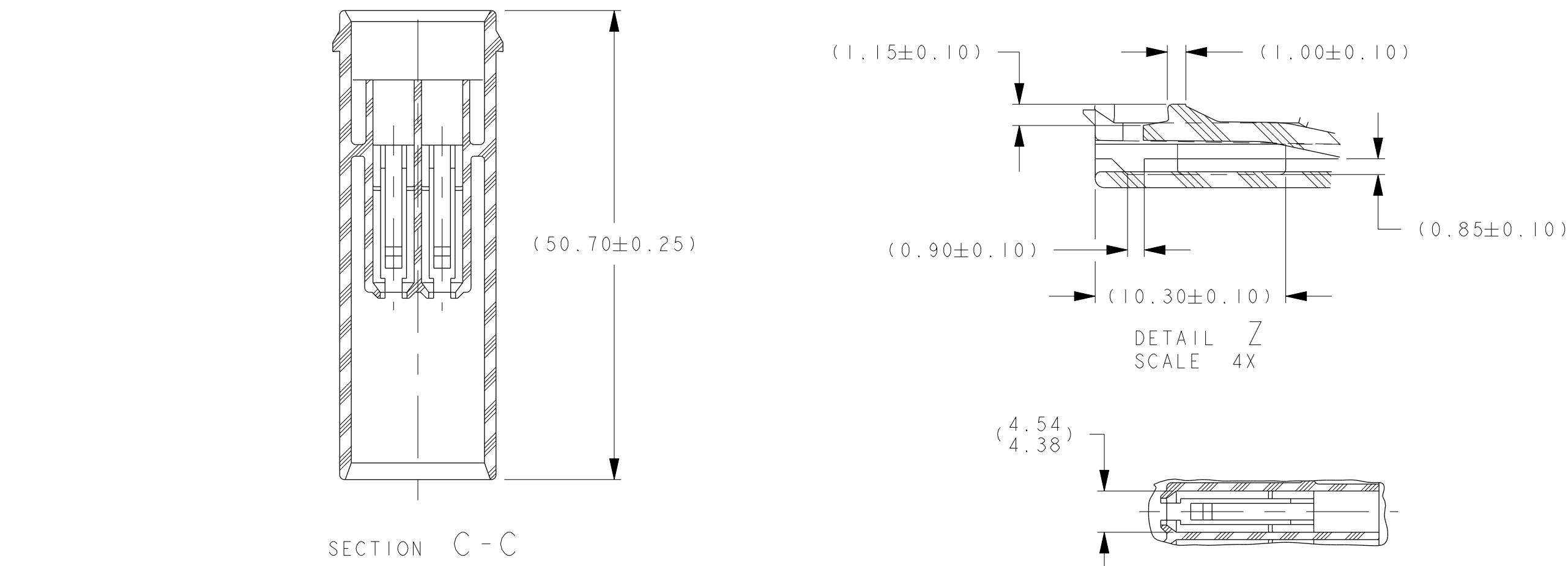
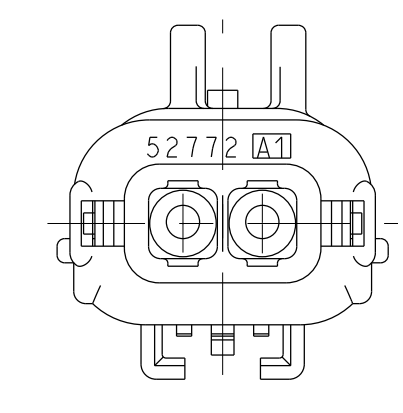
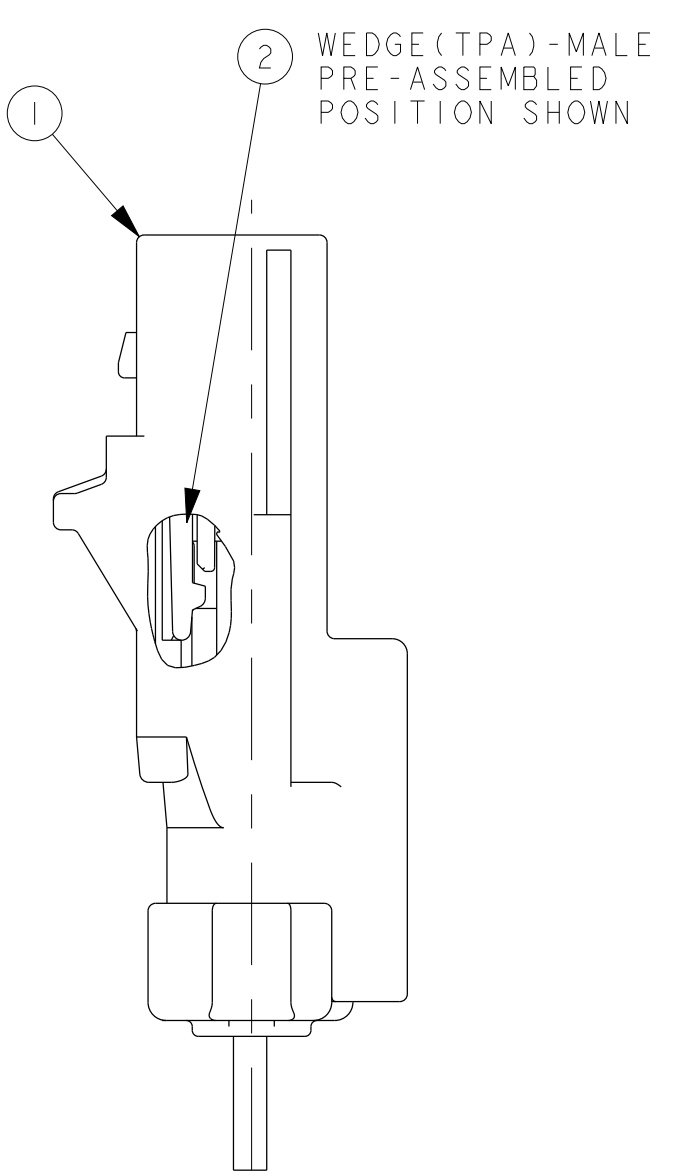
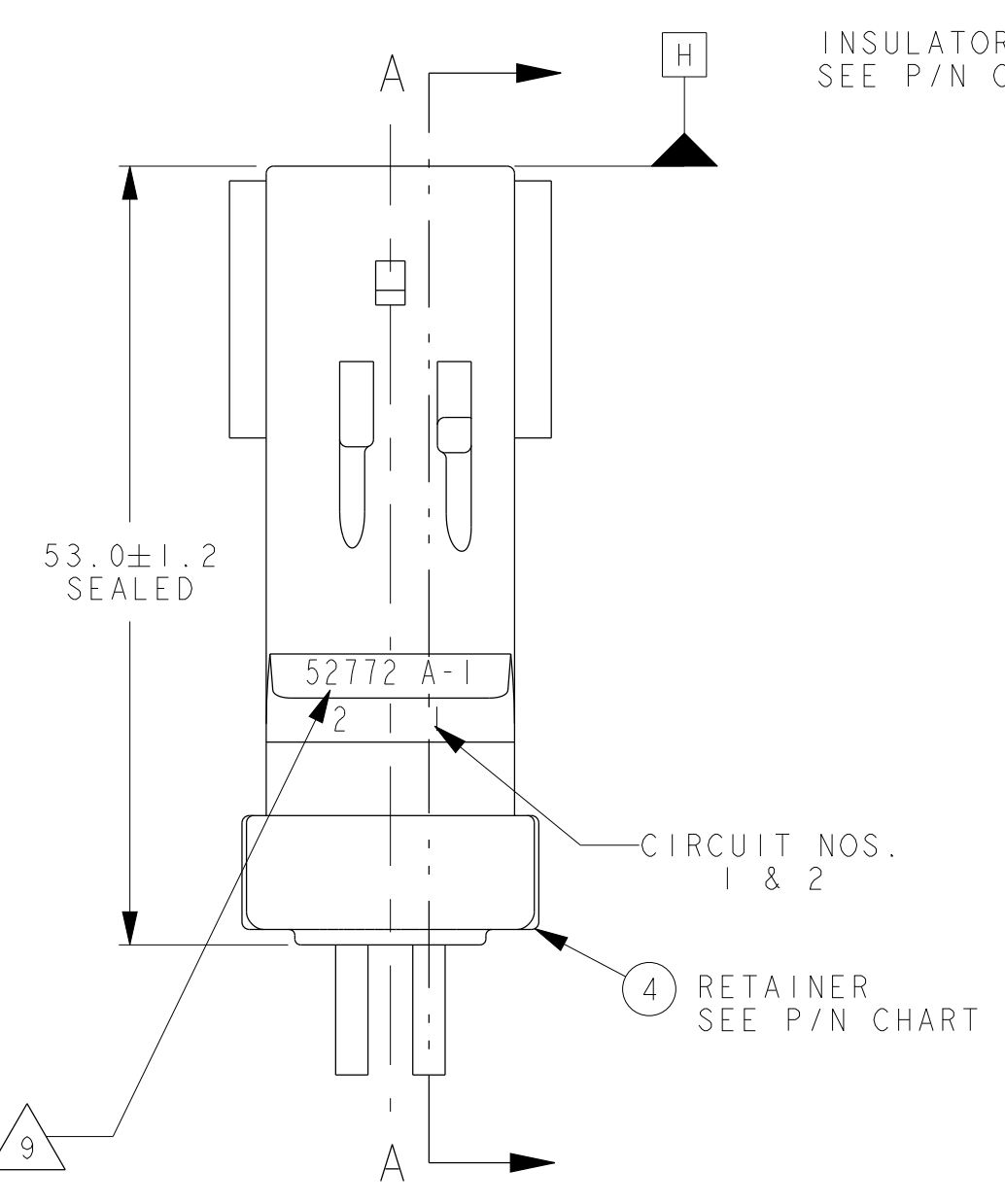
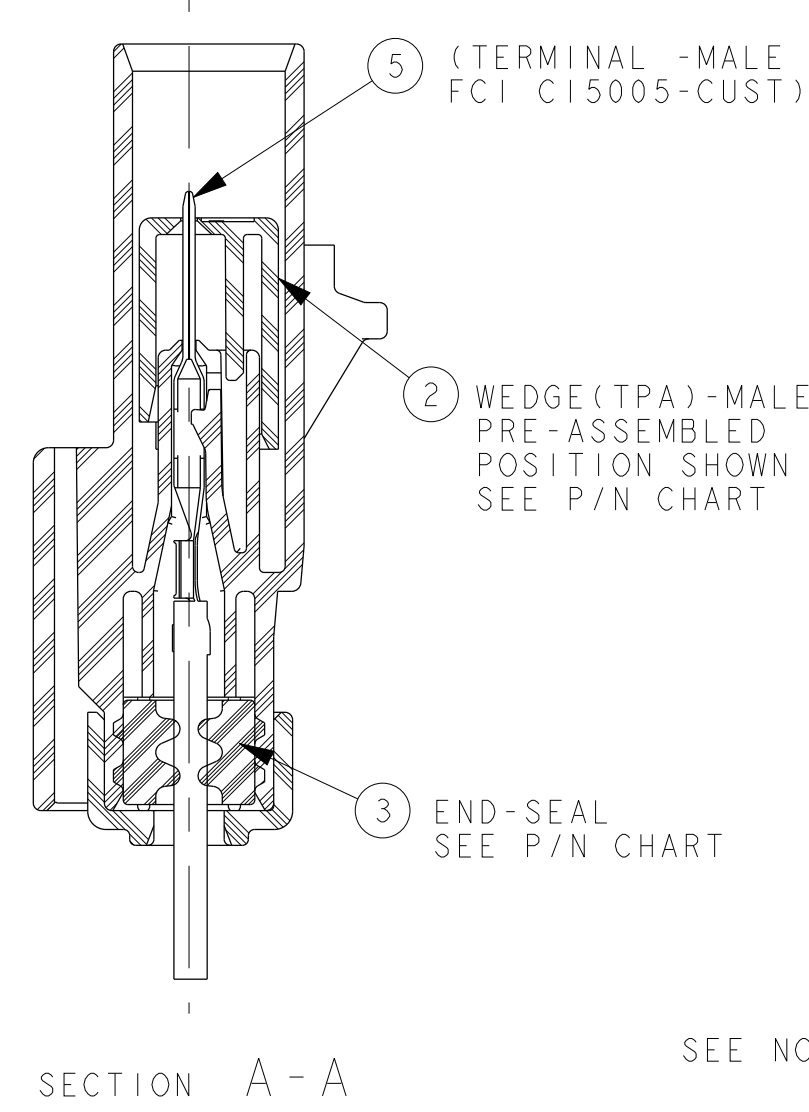
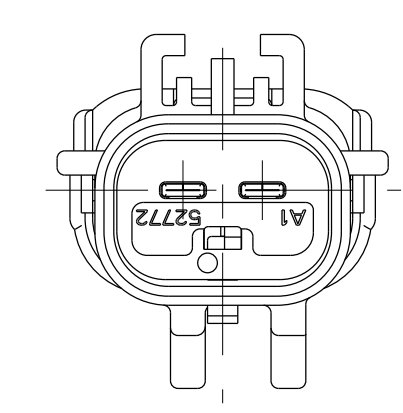
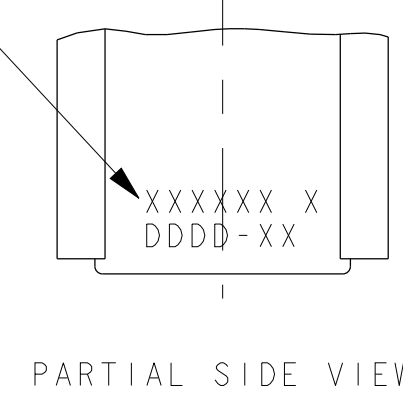
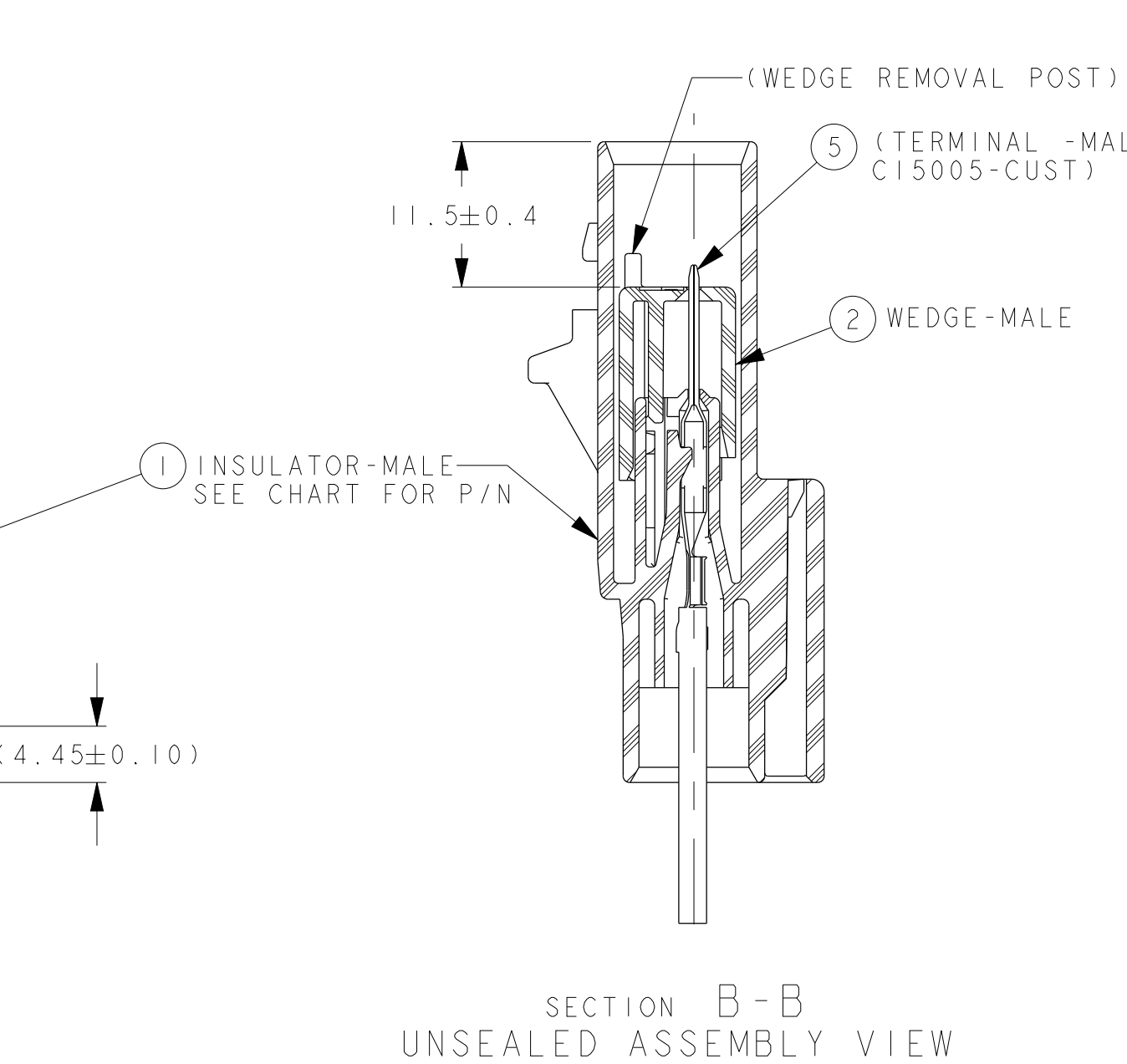
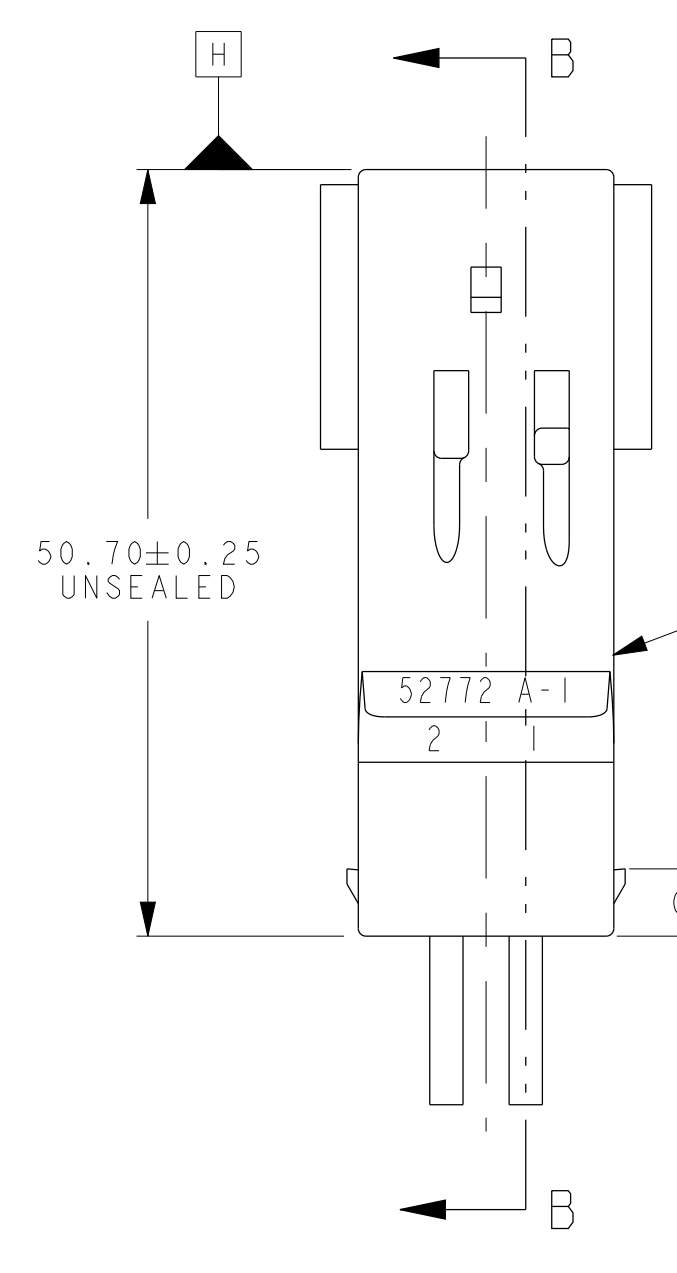


LAST 5 DIGITS OF 8 DIGIT P/N & PART CHANGE LEVEL (PCL) OR LAST 6 DIGITS OF 9 OR 10 DIGIT P/N & PART CHANGE LEVEL (PCL)
MFG. DAILY DATE CODE & ASSY MACHINE NO. LETTERING MUST BE LEGIBLE



POLARIZATION OPTIONS FULL SIZE



- NOTES:
- 1 QUALITY ASSURANCE REQUIREMENTS PER CHRYSLER PS-7300: 1 SPC DATA REQUIRED
 - 2 ENGINEERING APPROVAL OF SUPPLIER SAMPLES IS REQUIRED PRIOR TO AUTHORIZATION OF PART PRODUCTION
 - 3 CHANGES IN DESIGN COMPOSITION OR PROCESSING FROM THE PART PREVIOUSLY APPROVED FOR PART PRODUCTION REQUIRES PRIOR ENGINEERING APPROVAL
 - 4 WIRING FABRICATORS MUST PURCHASE FROM SOURCES SHOWN
 - 5 ALL THE SEALED CONNECTOR APPLICATIONS MUST BE USED WITH CHRYSLER WIRE SPEC. MS-8288, MS-9502 OR ISO 6722 EQUIVALENTS THIN WALL X-LINK ONLY A- ASSEMBLIES WITH FCI P/N'S 54200239 OR 54200240 END SEALS MUST BE USED WITH 20 TO 14AWG OR ISO EQUIVALENTS WIRES WITH INSULATION Ø1.70 TO Ø2.77 O.D.

THIS DRAWING (H59010) REPLACES CHRYSLER DRAWING NUMBER 04687875 LEVEL "K". CHRYSLER DRAWING IS FOR REFERENCE ONLY FOR PREVIOUS CHANGES

- 6 ALL NON-SEALED APPLICATIONS MAY BE USED WITH ANY WIRE INSULATION 22 TO 10AWG OR ISO EQUIVALENTS (EXCEPT AS NOTED BELOW) PROVIDED THAT A TERMINAL GRIP FOR THAT CORE/INSULATION IS SHOWN ON C15005-CUST MALE TERMINAL DRAWING
- 7 USE WITH FOLLOWING APPLICABLE COMPONENTS AS NEEDED: CAVITY PLUS FCI P/N 54200005 (CHRYSLER P/N 5638308) DOUBLE X-MAS TREE CLIP FCI P/N 54200010 W/FORWARD STOP DOUBLE X-MAS TREE CLIP CHRYSLER P/N 04707091 SINGLE X-MAS TREE CLIP CHRYSLER P/N 04625797 2-BOHM APEX MALE TERMINAL PER FCI C15005-CUST SYMMETRICAL ABOUT CENTERLINES FOR 180° ORIENTATION
- 8 TEST METHOD PER PERFORMANCE SPEC# SAE/JUSCAR-2 REV. 5, CONNECTOR ENGAGE & DISENGAGE WITH FEMALE LATCH DEPRESSED FORCE NOT TO EXCEED 75N FOR THIS SYSTEM

- 9 WEDGE SEATING FORCES - 100N MAX
- 10 X-MAS TREE CLIP INSERTION FORCES - 75N MAX
- 11 FCI SUPPLIER CODE 52772, MOLD & CAVITY I.D. SIGNIFIES TOOL OWNERSHIP, FOR REFERENCE
- 12 ANNUAL QUALITY REQUIREMENTS: IT IS PERMISSIBLE TO PERFORM CONTINUOUS CONFORMANCE PER FCI SPECIFICATION #QA-A-D01 INSTEAD OF ANNUAL LAYOUT & ANNUAL PV REQUIREMENTS OF QS-9000 SECTION 2 & SAE/JUSCAR-2 REV. 5

- ALL NON-REFERENCE DIMENSIONS ARE REQUIRED
- USE INDEX A, BLACK SEALED AND UNSEALED FOR ALL AFFECTED INSULATOR CAVITIES
 - CURRENT PRODUCTION TOOLING
 - POINT OF LAST RUN
 - SERVICE TOOLING GUIDE INFORMATION PER APEX TRAINING MANUAL
- MUST CONFORM TO THE FOLLOWING CHRYSLER/YNA STANDARDS:
- SAE/JUSCAR-2 REV. 5
 - PS-7300 QUALITY ASSURANCE (CHRYSLER)
 - PS-9227 DATA EXCHANGE (CHRYSLER), (G009-7 YNA)
 - PS-10052 INFORMATION SECURITY (CHRYSLER)

MATING PART NUMBERS CHART FOR REFERENCE

INDEX TYPE	COLOR	SEALED/UNSEALED	FCI	CUSTOMER	YNA	FCI	CUSTOMER	YNA
			MALE ASSEMBLY PART NOS.			FEMALE ASSEMBLY PART NOS.		
D	NATURAL	UNSEALED	55200209	DIRECT CONNECT APPLICATION	N/A	54200203N	N/A	N/A
		UNSEALED	55200209	DIRECT CONNECT APPLICATION	N/A	54200203	C 04687920	7283-5373
		SEALED	F380510	N/A	N/A	F970510	N/A	N/A
G	TAN	SEALED	54200276	DIRECT CONNECT APPLICATION	N/A	54200262	N/A	N/A
		SEALED	55200205	DIRECT CONNECT APPLICATION	N/A	54200209N	N/A	N/A
		SEALED	55200205	DIRECT CONNECT APPLICATION	N/A	54200209	C 04687916	7283-5375
F	DK GREY	UNSEALED	55200208	DIRECT CONNECT APPLICATION	N/A	54200202N	N/A	N/A
		UNSEALED	55200208	DIRECT CONNECT APPLICATION	N/A	54200202	C 04687919	7283-5372-10
		SEALED	F280510	N/A	N/A	F870510	N/A	N/A
E	DK BROWN	SEALED	54200275	DIRECT CONNECT APPLICATION	N/A	54200261	N/A	N/A
		SEALED	55200204	DIRECT CONNECT APPLICATION	N/A	54200208N	N/A	N/A
		SEALED	55200204	DIRECT CONNECT APPLICATION	N/A	54200208	C 04687914	7283-5374-10
D	LT GREY	UNSEALED	54200205	N/A	N/A	54200201N	N/A	N/A
		UNSEALED	54200205	C 04687924	N/A	54200201	C 04687918	7283-5371-40
		SEALED	F180510	N/A	N/A	F770510	N/A	N/A
C	DK BLUE	SEALED	54200274	N/A	N/A	54200260	N/A	N/A
		SEALED	54200211	N/A	N/A	54200207N	N/A	N/A
		SEALED	54200211	C 04687922	N/A	54200207	C 04687913	7283-5359-40
B	LT GRN	UNSEALED	DIRECT CONNECT APPLICATION		54200251	C 04868293AA	N/A	N/A
		SEALED	54200233	N/A	N/A	54200212N	N/A	N/A
		SEALED	54200233	C 04868173AA	N/A	54200212	C 04688917	7283-5367-60
A	BLACK	UNSEALED	54200204	N/A	N/A	54200200N	N/A	N/A
		UNSEALED	54200204	C 04687923	N/A	54200200	C 04688917	7283-5358-30
		SEALED	54200210	C 04687921	7282-5292-30	54200206	C 04687912	7283-5292-30
A	BLACK	SEALED	54200215	N/A	N/A	54200213N	N/A	N/A
		SEALED	54200215	C 04793833	N/A	54200213	C 04793832	N/A
		SEALED	DIRECT CONNECT APPLICATION		54200214N	C 56021913AA	7283-6210-30	
B	DK GRN	SEALED	F080510	N/A	N/A	F670510	N/A	N/A
		SEALED	54200273	N/A	N/A	55200200	N/A	7283-8377-60
		SEALED	54200273	N/A	N/A	55200200N	N/A	N/A

CHART - ASSEMBLY PART NUMBERS

FCI P/N'S	CUSTOMER P/N'S	TEMPERATURE CLASS 3
54200204	C 04687923	N/A
54200205	C 04687924	N/A
55200208	N/A	N/A
54200210	C 04687921	Y 7282-5292-30
54200211	C 04687922	N/A
54200215	C 04793833	N/A
54200233	C 04868173AA	N/A
55200204	N/A	N/A
55200205	N/A	N/A

CHART - ASSEMBLY PART NUMBERS

SEALED		TEMPERATURE CLASS 4
54200273	54200274	54200275
54200276	F080510	F280510
F380510	F80510	F80510

REQUIRED	REQUIRED	FCI NO.	(CHRYSLER)	COLOR	ITEM	PART NAME (MATERIAL)	INDEX	FCI NO.	COLOR	REQUIRED
I	I	54200224	04687792	BLACK	1	INSULATOR PA66GF	A	54200267	DK GREEN	I
		54200232	N/A	LT GREEN	1	INSULATOR PA66GF	A			
II	I	54200226	04687937	LT GREY	1	INSULATOR PA66GF	B	54200268	DK BLUE	I
	I	55200206	N/A	DK GREY	1	INSULATOR PA66GF	C	54200269	DK BROWN	I
	I	55200207	N/A	NATURAL	1	INSULATOR PA66GF	D	54200270	TAN	I
I	I	54200235	04687978	RED	2	WEDGE (TPA) PA66GF		54200298	NATURAL	I
	I	54200239	04687942	LT BLUE	3	END SEAL SILICONE		54200240	LT GREEN	I
	I	54200241	04687943	BURNT ORANGE	3	END SEAL SILICONE		F480510	OFF WHITE	I
	I	54200234	04687938	BLACK	4	RETAINER PA66GF		54200271	NATURAL	I
3	3	3	3	3	3	3	3	3	3	3
CONNECTOR ASSEMBLY TEMPERATURE CLASS PER SAE/JUSCAR-2 REV. 5										
H	H	M	M	H	H	J	M	M	M	P
PART CHANGE LEVEL (PCL)										
A	M	M	M	P	P	P	P	P	P	P

CUSTOMER LEGENDS:
CHRYSLER: C
FORD: F
GENERAL MOTORS: GM
YAZAKI: Y

12-01348	F8	APPLICABLE WIRE NOTES REVISED FOR METRIC EQUIVALENT, WIRE APPLICATION FOR 54200241 END SEAL CHANGED TO 14 TO 10AWG
12-1026	E10 B23	CONNECTOR ASSEMBLIES P/N'S F080510 TO F380510 AND END SEAL P/N F480510 ADDED FOR TEMP. CLASS 4 (10/12AWG APPLICATIONS). CORRECTED P/N'S 54200273 TO 54200276 WERE SWITCHED IN ERROR AT REV. N. ASSEMBLY P/N CHARTS UPDATED. NOTES UPDATED AND #13 ADDED
12-00884	ALL	REVISED AND REDRAWN IN PDS SEE REV M3 FOR PREVIOUS CHANGES PCL NOT AFFECTED

REV. NO.	ZONE	CHANGE DESCRIPTION
1		SEE CHART
2		SEE CHART

PROJECT: H59000 & H59002
SHEET NO: 2843
TITLE: CHART - ASSEMBLY
SUBJECT: 2WAY MALE
DRAWING NUMBER: H59010
REV: SERIAL RELEASED
DATE: 11/25/10
FILE NAME: H59010

X-ON Electronics

Largest Supplier of Electrical and Electronic Components

Click to view similar products for [Automotive Connectors](#) category:

Click to view products by [APTIV](#) manufacturer:

Other Similar products are found below :

[003-018-000](#) [60403001](#) [60993906-B](#) [629515004020001](#) [M902-2131](#) [M902-2161](#) [72.330.1035.1](#) [73.353.4028.0](#) [F119300-B](#) [F166900](#)
[F258300-B](#) [F358300-B](#) [F407400](#) [F444110](#) [F487000](#) [F509500B-B](#) [827153-1](#) [8N1515-32-24P](#) [9-1326729-8](#) [925474-1](#) [928905-1](#) [964562-4](#)
[968782-1](#) [GT17SA-8DS-HU](#) [98891-1012](#) [98947-1016](#) [12004475-L](#) [12010290](#) [12010309-B](#) [12015454](#) [12020219-B](#) [12020308](#) [12041318-B](#)
[12052225-L](#) [12052466](#) [12059125](#) [12064869](#) [12004327-B](#) [12010503-B](#) [12015308](#) [12015384](#) [12015909](#) [1-21030-1](#) [12041254](#) [12041318](#)
[12047946-B](#) [12047957](#) [12047957-L](#) [12059473](#) [12066261](#)