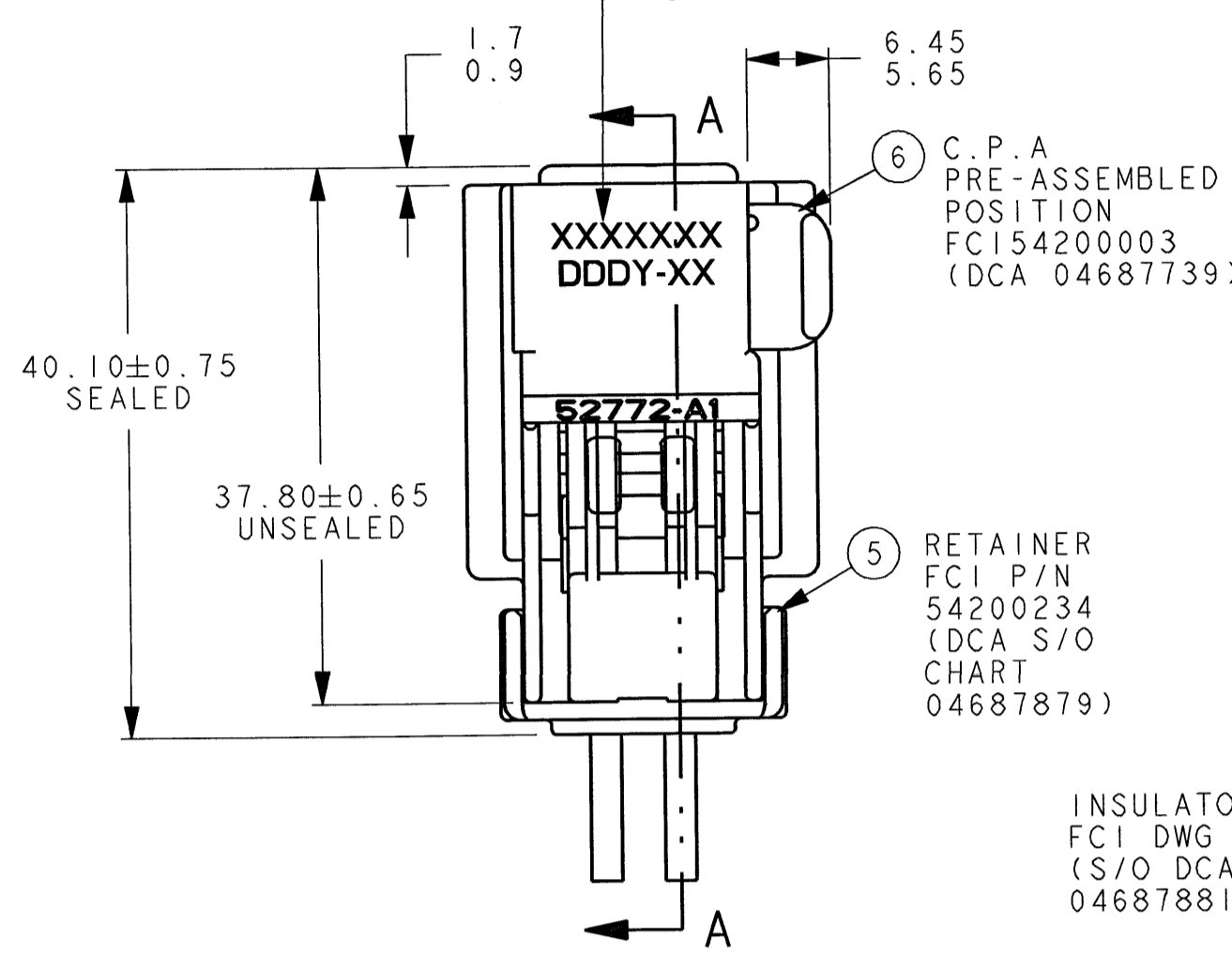
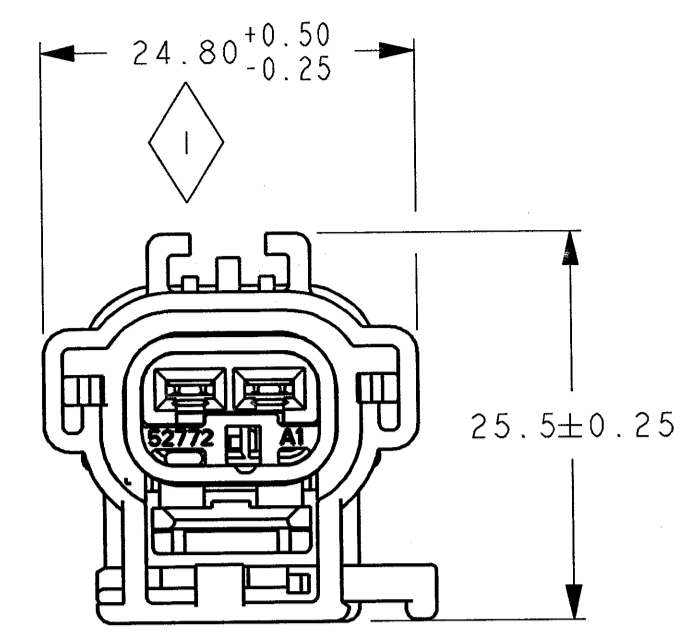
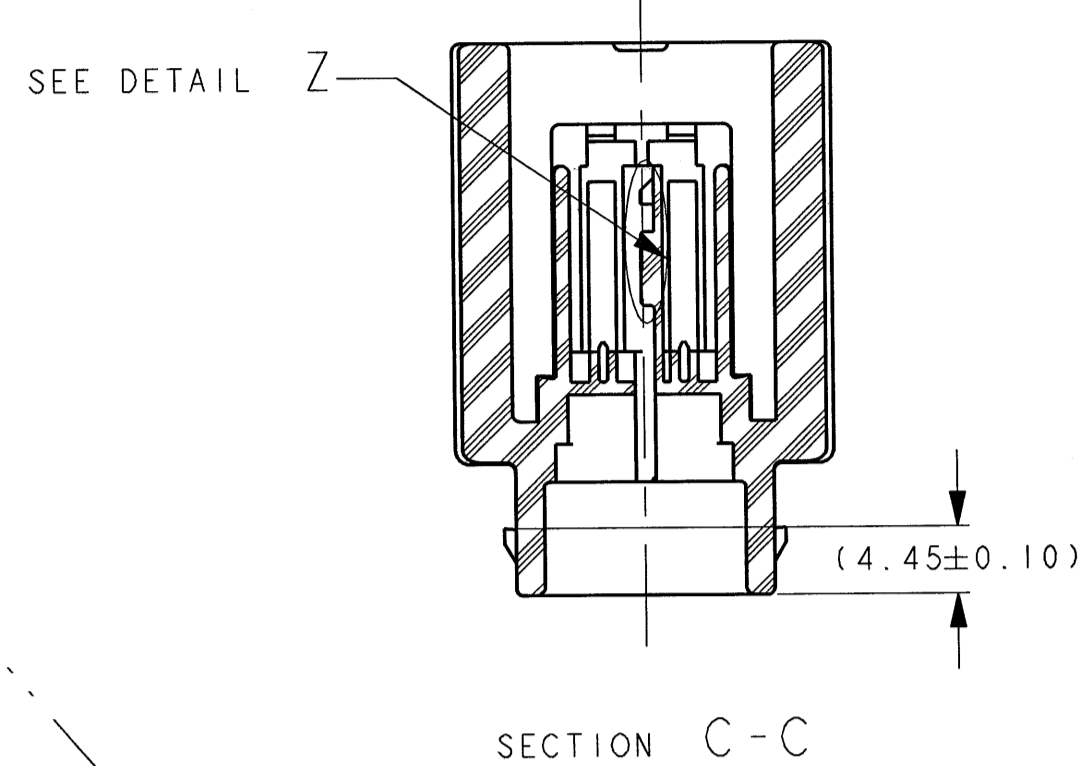
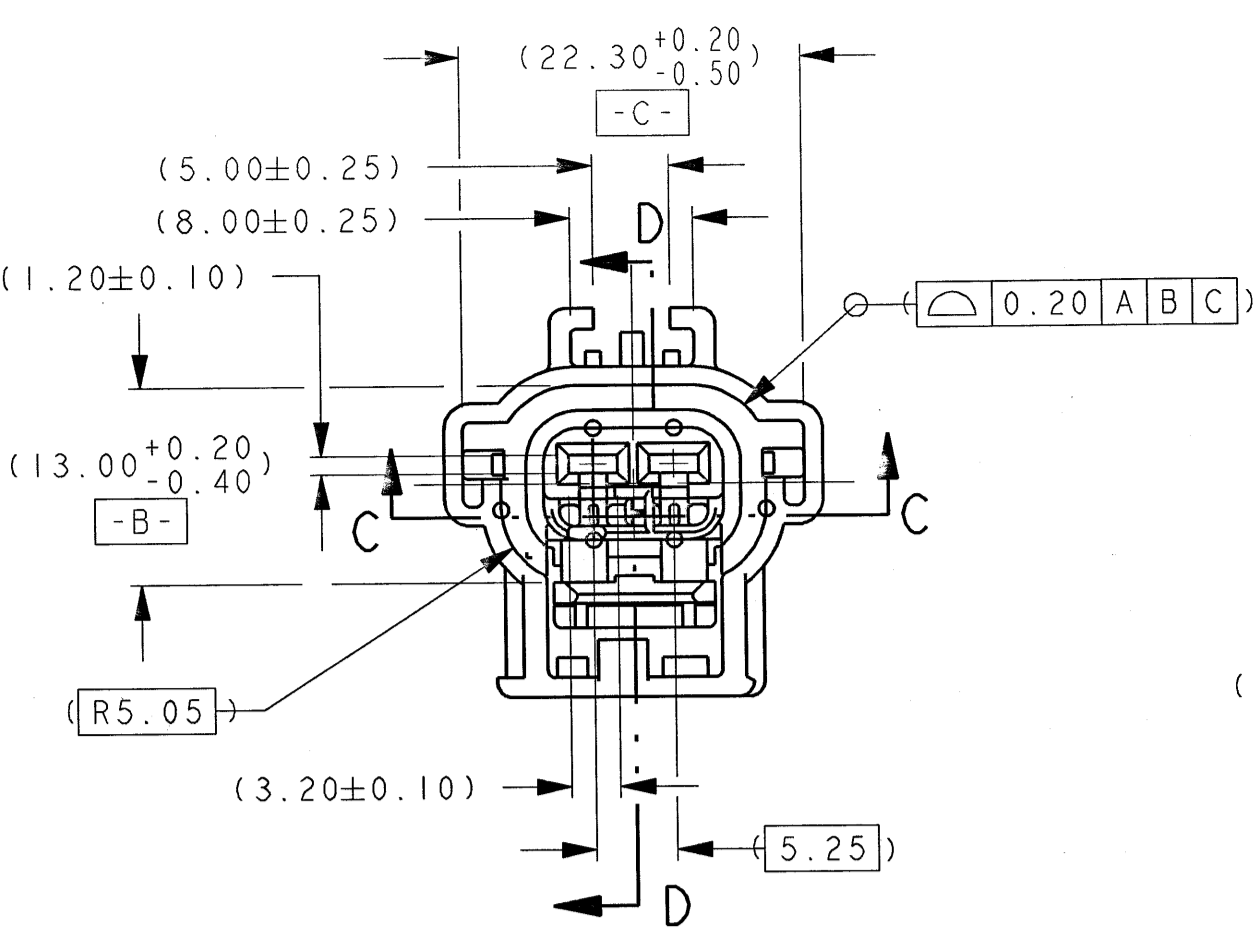


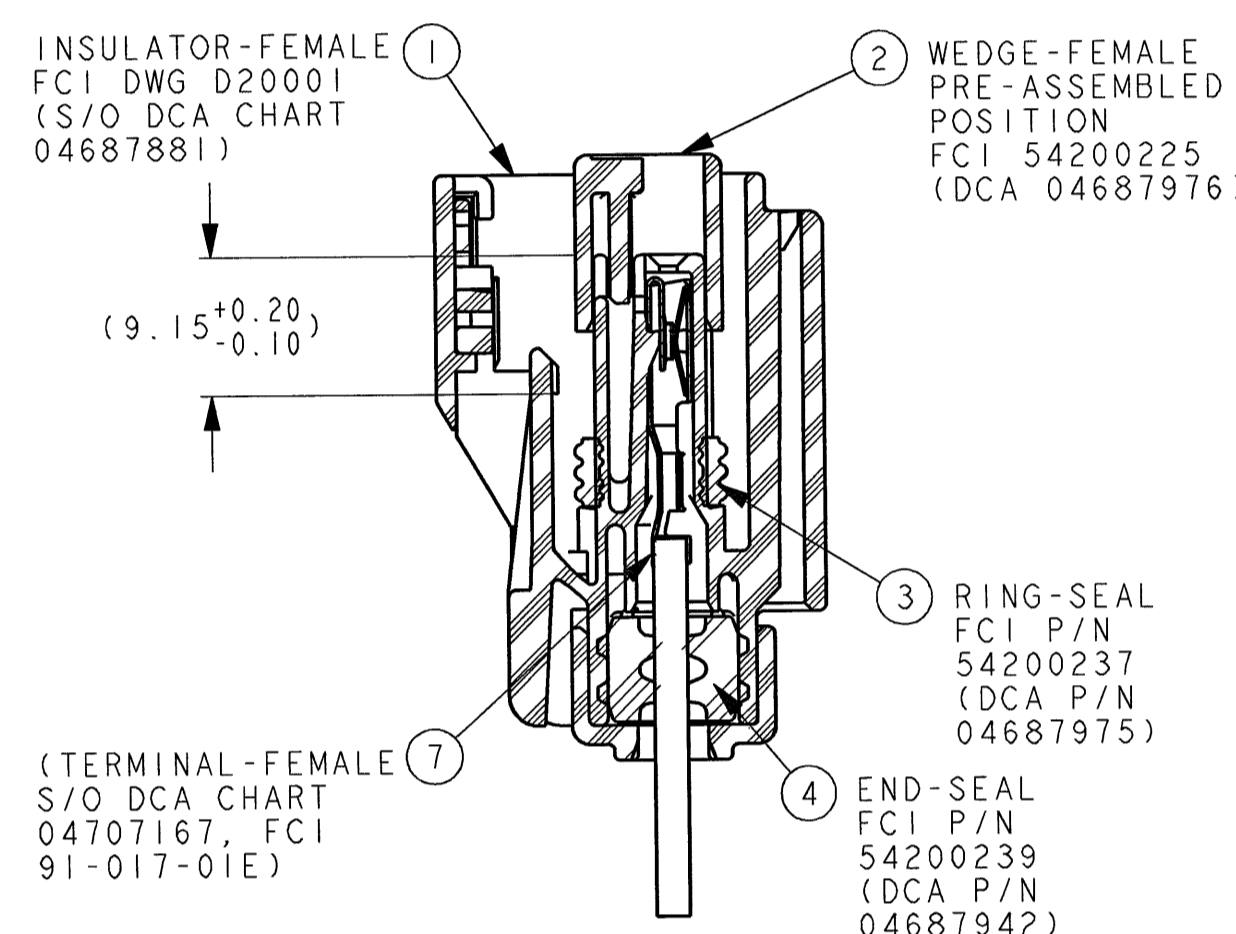
WITHOUT CPA
SEE P/N CHART
ALL DIMENSIONS SAME
AS WITH CPA



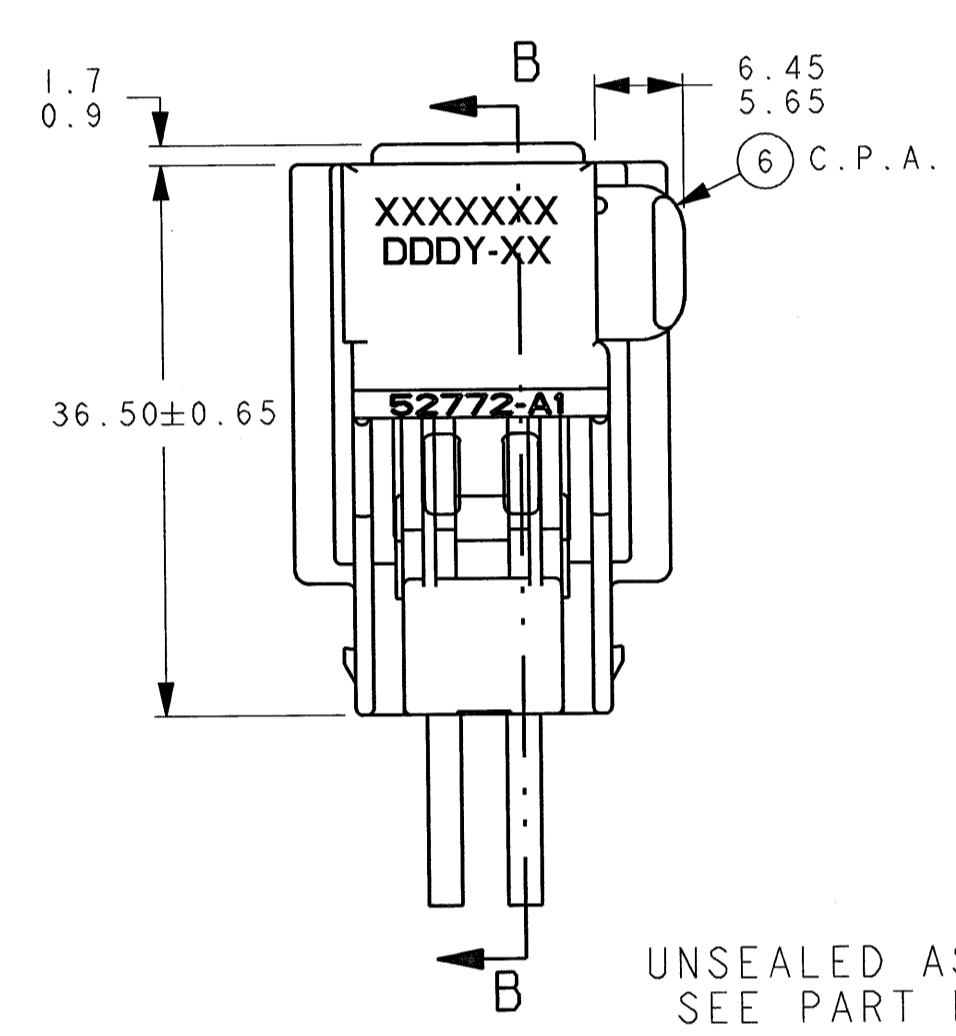
SEALED ASSEMBLY VIEWS
SEE P/N CHART
SHOWN WITH CPA'S



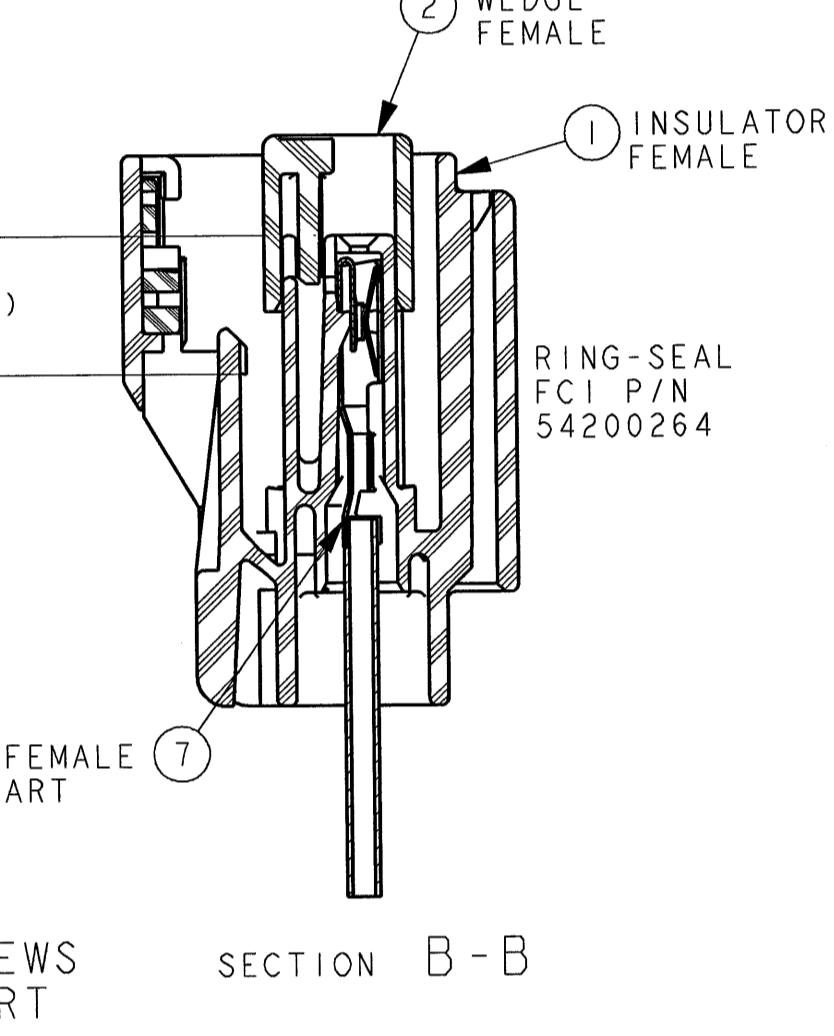
FOR REFERENCE ONLY
INSULATOR VIEWS



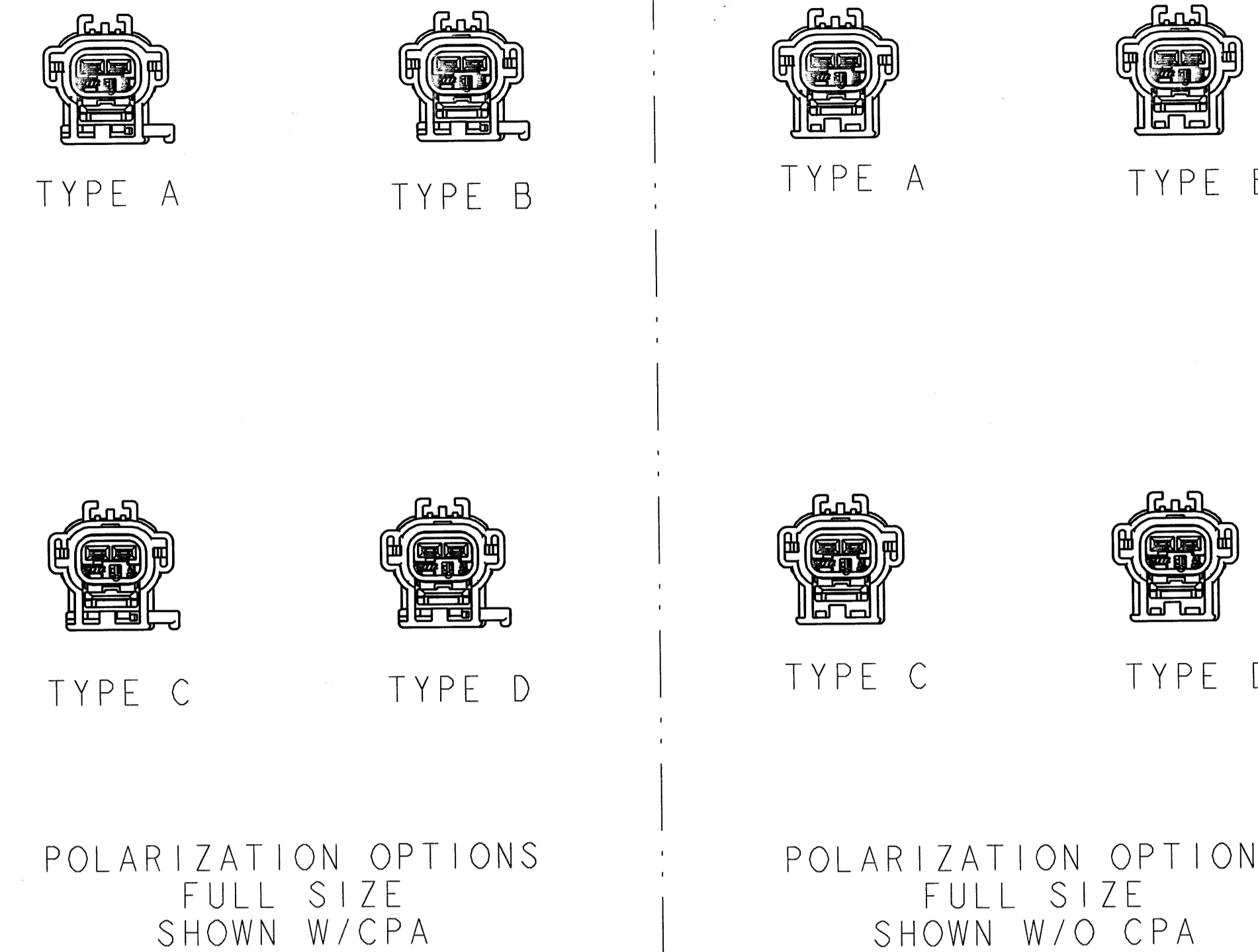
SECTION A-A



UNSEALED ASSEMBLY VIEWS
SEE PART NUMBER CHART



RING SEAL SHOWN AS
REFERENCE FOR
54200263 ASSY ONLY



POLARIZATION OPTIONS
FULL SIZE
SHOWN W/CPA

POLARIZATION OPTIONS
FULL SIZE
SHOWN W/O CPA

- NOTES:
- 1 QUALITY ASSURANCE REQUIREMENTS PER DCA PS-7300: 1 SPC DATA REQUIRED.
 - 2 ENGINEERING APPROVAL OF SUPPLIER SAMPLES IS REQUIRED PRIOR TO AUTHORIZATION OF PART PRODUCTION.
 - 3 CHANGES IN DESIGN COMPOSITION OR PROCESSING FROM THE PART PREVIOUSLY APPROVED FOR PART PRODUCTION REQUIRES PRIOR ENGINEERING APPROVAL.
 - 4 WIRING FABRICATORS MUST PURCHASE FROM SOURCES SHOWN.
 - 5 ALL THE SEALED CONNECTOR APPLICATIONS MUST BE USED WITH DCA WIRE SPEC. MS-8288 OR MS-9502 THIN WALL X-LINK ONLY.
 - A- ASSEMBLIES WITH FCI P/N 54200239 OR 54200240 END SEAL MUST BE USED WITH 20 THRU 14 GAGR WIRES (INS. Ø1.70 MIN - Ø2.7 MAX).
 - B- ASSEMBLIES WITH FCI P/N 54200241 END SEAL MUST BE USED WITH 12 OR 10 GAGE WIRES (INS. Ø3.07 MIN - Ø4.09 MAX).
 - 6 FCI P/N'S 54200238 RING SEAL & 54200240 END SEAL BAKED AT 450°F FOR 5 HOURS.
 - 7 ALL NON-SEALED APPLICATIONS MAY BE USED WITH ANY WIRE INSULATION 22 GAGE THRU 10 GAGE (EXCEPT AS NOTED) PROVIDING THAT A TERMINAL GRIP FOR THAT CORE/INSULATION COMBINATION IS SHOWN ON THE FEMALE TERMINAL DRAWING.
 - MAX. INSULATION CRIMP WIDTH = 4.50
 - MAX. INSULATION CRIMP HEIGHT = 4.50
 - MAX. INSULATION DIA = 4.09 (10 GA THIN WALL)
 - 8 USE WITH CAVITY PLUG FCI P/N 54200005 (DCA P/N 56038308) WHEN REQ'D USE WITH DOUBLE X-MAS TREE CLIP DCA P/N 04707091 WHEN REQUIRED USE WITH SINGLE X-MAS TREE CLIP DCA P/N 04625797 WHEN REQUIRED.
 - 9 DIRECT CONNECT DRAWING NO. 04707027.
 - 10 TEST METHOD PER DCA PERFORMANCE SPEC# PF-9600. CONNECTOR ENGAGE & DISENGAGE WITH LATCH DEPRESSED FORCE NOT TO EXCEED 75 N.FOR THIS SYSTEM.
 - CPA SEATING FORCES - 40 N. MAX
 - WEDGE SEATING FORCES - 100 N. MAX
 - X-MAS TREE CLIP INSERTION FORCES - 75 N. MAX
 - 11 SUPPLIER, MOLD & CAVITY I.D. SIGNIFIES TOOL OWNERSHIP, FOR REFERENCE.
 - 12 ANNUAL QUALITY REQUIREMENTS: IT IS PERMISSIBLE TO PERFORM CONTINUOUS CONFORMANCE PER FCI SPECIFICATION #40A-001 INSTEAD OF ANNUAL LAYOUT & ANNUAL PV REQUIREMENTS OF QS-9000 SECTION 2 & PF-9600.
- ALL NON-REFERENCE DIMENSIONS ARE REQUIRED.
- USE INDEX A, BLACK SEALED AND UNSEALED FOR ALL AFFECTED INSULATOR CAVITIES.
 - CURRENT PRODUCTION TOOLING.
 - POINT OF LAST RUN.
- SERVICE TOOLING GUIDE INFORMATION PER APEX TRAINING MANUAL
- 13 FCI P/N 54200259 NOT PRODUCED USE FCI P/N 55200200.
- MUST CONFORM TO THE FOLLOWING DCA/YNA STANDARDS:
- PF-9600 PERFORMANCE (DCA) EXCEPT AS NOTED ABOVE.
 - PS-7300 QUALITY ASSURANCE (DCA)
 - PS-4480-CEK-4 (DCA) PART 1, D., (G-009-2 YNA)
 - PS-9065 REGIRD (DCA), (G-009-3 YNA)
 - PS-9227 DATA EXCHANGE (DCA), (G-009-7 YNA)
 - PS-10052 INFORMATION SECURITY (DCA)
- UNCONTROLLED
- FCI AUTOMOTIVE
12/7/2006
AMERICAS
FCI MASTER COPY WHEN IN RED
- 14 THIS DRAWING (H59000) REPLACES DCA DRAWING NUMBER 04687874 LEVEL "B". DCA DRAWING IS FOR REFERENCE ONLY.
 - 15 FCI P/N WITH SUFFIX "N" DESIGNATES ASSEMBLIES W/O CPA.
 - 16 PRIMARY CONNECTOR LATCH OPTIONS #1 & #2 ARE FULLY INTERCHANGEABLE WITH MALE CONNECTOR OR DIRECT CONNECT.
 - 17 MUST BE USED WITH FLUOROSILICONE END SEAL P/N 54200265, RETAINER P/N 54200234 & PROPER GAGE TEFLOON WIRES FOR FLEX FUEL OR DIESEL FUEL APPLICATIONS. ASSEMBLE TERMINALS THROUGH RETAINER & ENDSEAL PRIOR TO ASSEMBLING INTO TERMINAL CAVITY.

INDEX TYPE	COLOR	SEALED/UNSEALED	DCA APPLICATION			MATING ASSEMBLY PART NUMBER FOR REFERENCE ONLY		
			FCI (DCA)	YNA	FCI (DCA)	YNA	FCI (DCA)	YNA
D	NATURAL	UNSEALED	54200203N	N/A	N/A	55200209		
		SEALED	54200203	04687920	7283-5373	55200209		
C	DK GREY	UNSEALED	54200202N	N/A	N/A	55200208		
		SEALED	54200202	04687919	7283-5372-10	55200208		
B	LT GREY	UNSEALED	54200201N	N/A	N/A	54200205		
		SEALED	54200201	04687918	7283-5371-40	54200205		
A	BLACK	UNSEALED	54200200N	N/A	N/A	54200204		
		SEALED	54200200	04688917	7283-5358-30	54200204		

DCA APPLICATION	UNSEALED				SEALED			
	W/O CPA	W/CPA	W/CPA	W/O CPA	W/O CPA	W/CPA	W/CPA	W/O CPA
FCI P/N'S (DCA P/N'S)	54200251N	54200201N	54200202N	54200203N	54200251	54200201	54200202	54200203
YNA P/N'S	04688933AA	04687918	04687919	04687920	04688933AA	04687918	04687919	04687920

DCA APPLICATION	SEALED			
	W/O CPA	W/CPA	W/CPA	W/O CPA
FCI P/N'S (DCA P/N'S)	54200227	54200228	54200229	54200230
YNA P/N'S	04687793	04687944	04687945	04687946

ITEM	(CLASS 3)				(CLASS 4)			
	FCI NO.	(DCA NO.)	COLOR	PART NAME (MATERIAL)	INDEX	FCI NO.	COLOR	PART NAME (MATERIAL)
1	54200227	04687793	BLACK	INSULATOR NYLON	A	54200255	BLACK	INSULATOR NYLON
2	54200228	04687944	LT GREEN	INSULATOR NYLON	B	54200256	DK GREEN	INSULATOR NYLON
3	54200229	04687945	DK GREY	INSULATOR NYLON	C	54200257	DK BROWN	INSULATOR NYLON
4	54200230	04687946	NATURAL	INSULATOR NYLON	D	54200258	TAN	INSULATOR NYLON
5	54200225	04687976	ROYAL BLUE	WEDGE NYLON		54200281	NATURAL	WEDGE NYLON
6	54200237	04687975	RED	RING SEAL SILICONE		54200238	DK BLUE	RING SEAL SILICONE
7	54200264	N/A	DK GREEN	END SEAL FL SILICONE		54200240	LT GREEN	END SEAL SILICONE
8	54200238	*91012137	DK BLUE	RING SEAL SILICONE		54200241	LT GREEN	END SEAL SILICONE
9	54200239	04687942	BLUE	END SEAL SILICONE		54200242	BURNT ORANGE	END SEAL SILICONE
10	54200240	*91012138	LT GREEN	END SEAL SILICONE		54200271	NATURAL	RETAINER NYLON
11	54200241	04687943	BURNT ORANGE	END SEAL SILICONE		54200008	NATURAL	CPA LATCH NYLON
12	54200234	04687938	BLACK	RETAINER NYLON				
13	54200003	04687739	RED	CPA LATCH NYLON				

FCI - FRAMATOME CONNECTORS INTERNATIONAL
DCA - DAIMLERCHRYSLER AUBURN HILLS
YNA - YAZAKI NORTH AMERICA

PART NUMBER	PART NUMBER	REV DATE	REV	DRAWING NUMBER
F.C.I.				CUSTOMER

REVISION NO.	DATE	DESCRIPTION	BY	CHKD	APP'D
1	11-13-01	RELEASED FOR PRODUCTION FOR PREVIOUS CHANGES SEE DCA 04687914 REV P. REDRAWN ON FCI TITLE BLOCK			
2	11-13-01	FCI P/N'S W/O CPA ADDED FCI P/N 5420024N WAS			
3	11-27-01	ADDED CONNECTOR LATCH OPTION #2 UPDATED PCL CHART, ADDED NOTE #1			
4	11-27-01	9 DIGIT OR 10 DIGIT WAS 10 DIGIT			
5	11-27-01	ADDED W/CLIP SLOT TO TITLE			

DRAWING NO. H59000

UNCONTROLLED

FCI AUTOMOTIVE
12/7/2006
AMERICAS
FCI MASTER COPY WHEN IN RED

THIS DRAWING, DESIGN AND ALL OTHER INFORMATION CONTAINED THEREIN IS PROPRIETARY AND THE PROPERTY OF FRAMATOME CONNECTORS INTERNATIONAL, INC. AND MAY NOT BE COPIED, REPRODUCED OR DISCLOSED TO ANY THIRD PARTY WITHOUT THE WRITTEN PERMISSION OF FRAMATOME CONNECTORS INTERNATIONAL, INC.

THIRD ANGLE PROJECTION

Framatome Connectors Interlock, Inc.
1770 Marie Street Westland, Michigan 48185-3233

UNLESS OTHERWISE SPECIFIED

DIMENSIONS: 1 PLACE DIM ± 0.25
2 PLACE DIM ± 0.10
ANGULAR DIM ± 2°

DO NOT SCALE DRAWING

SCALE: 2X & NOTED

PART NUMBER	PART NUMBER	REV DATE	REV	DRAWING NUMBER
F.C.I.				CUSTOMER

TOOL NO. : A-042

FILE LOCATION: F102

X-ON Electronics

Largest Supplier of Electrical and Electronic Components

Click to view similar products for [Automotive Connectors](#) category:

Click to view products by [APTIV](#) manufacturer:

Other Similar products are found below :

[003-018-000](#) [60403001](#) [60993906-B](#) [M902-2131](#) [M902-2161](#) [72.330.1035.1](#) [73.353.4028.0](#) [F119300-B](#) [F166900](#) [F258300-B](#) [F358300-B](#)
[F407400](#) [F444110](#) [F487000](#) [F509500B-B](#) [827153-1](#) [8N1515-32-24P](#) [9-1326729-8](#) [925474-1](#) [928905-1](#) [964562-4](#) [968782-1](#) [GT17SA-8DS-](#)
[HU](#) [98891-1012](#) [98947-1016](#) [12004475-L](#) [12010290](#) [12010309-B](#) [12015454](#) [12020219-B](#) [12020308](#) [12041318-B](#) [12052225-L](#) [12052466](#)
[12059125](#) [12064869](#) [12004327-B](#) [12010503-B](#) [12015308](#) [12015384](#) [12015909](#) [1-21030-1](#) [12041254](#) [12041318](#) [12047946-B](#) [12047957](#)
[12047957-L](#) [12059473](#) [12066261](#) [12110546](#)