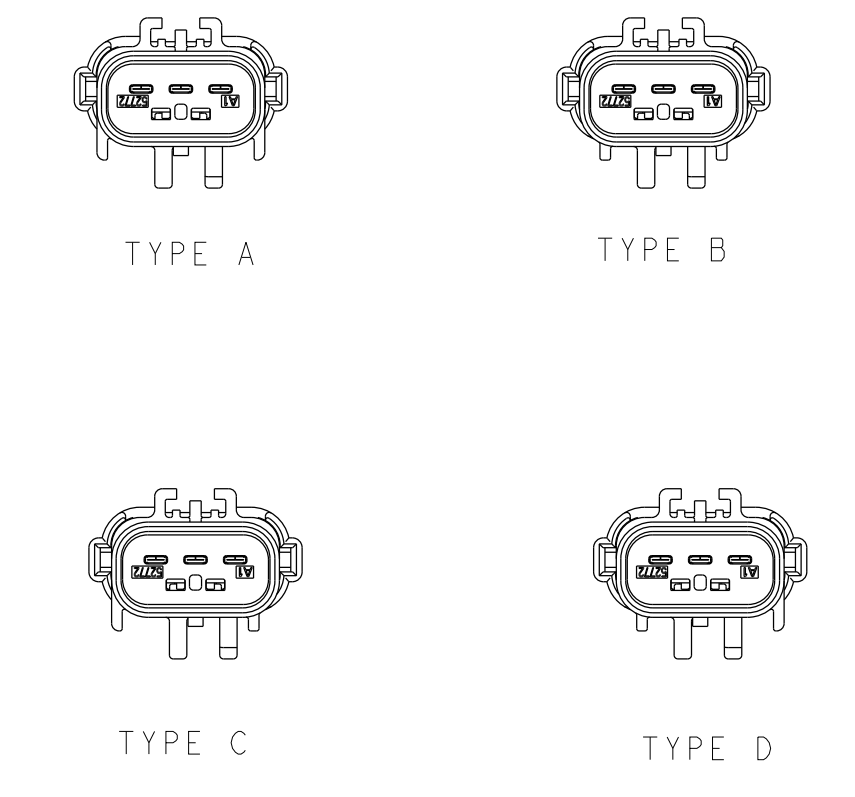
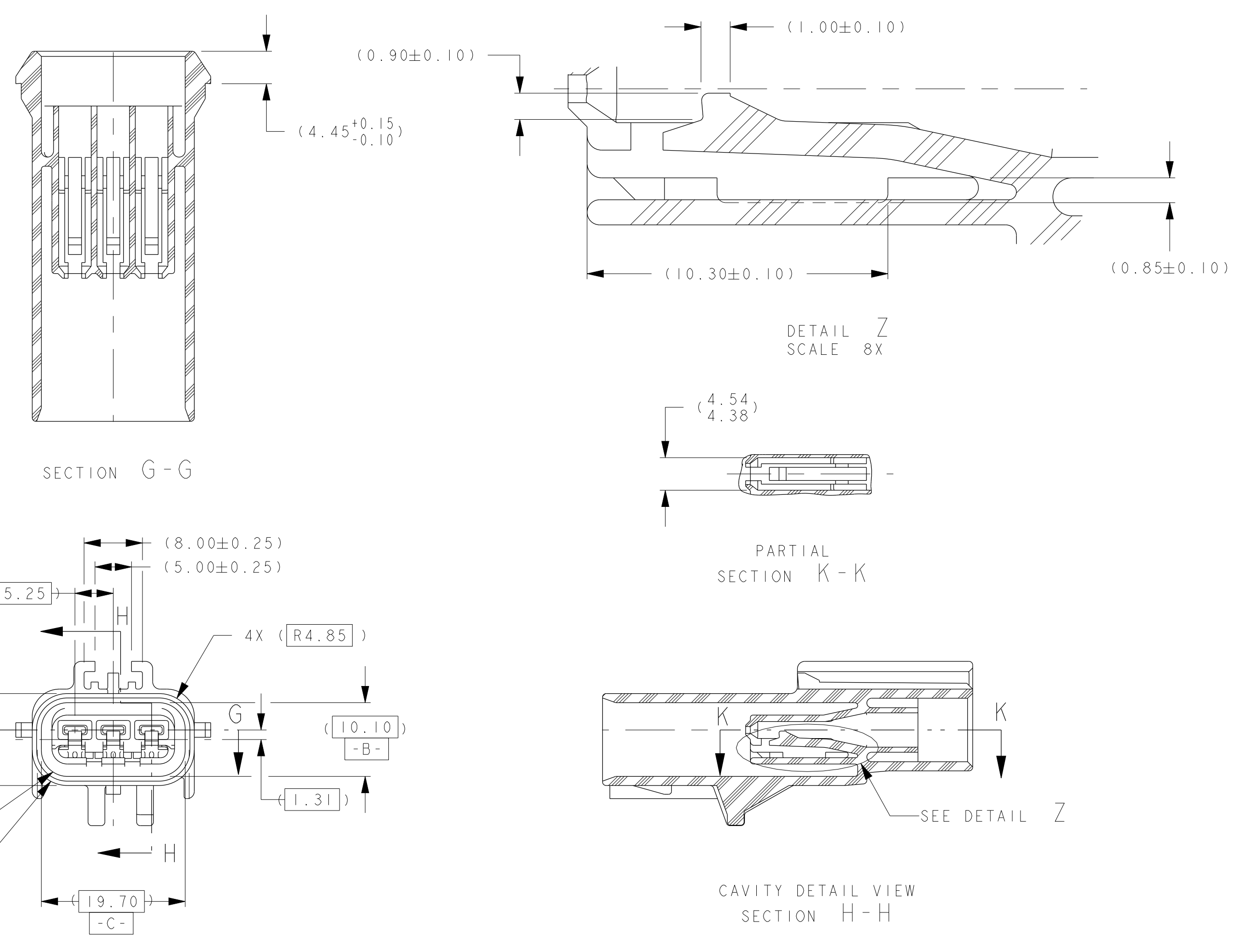
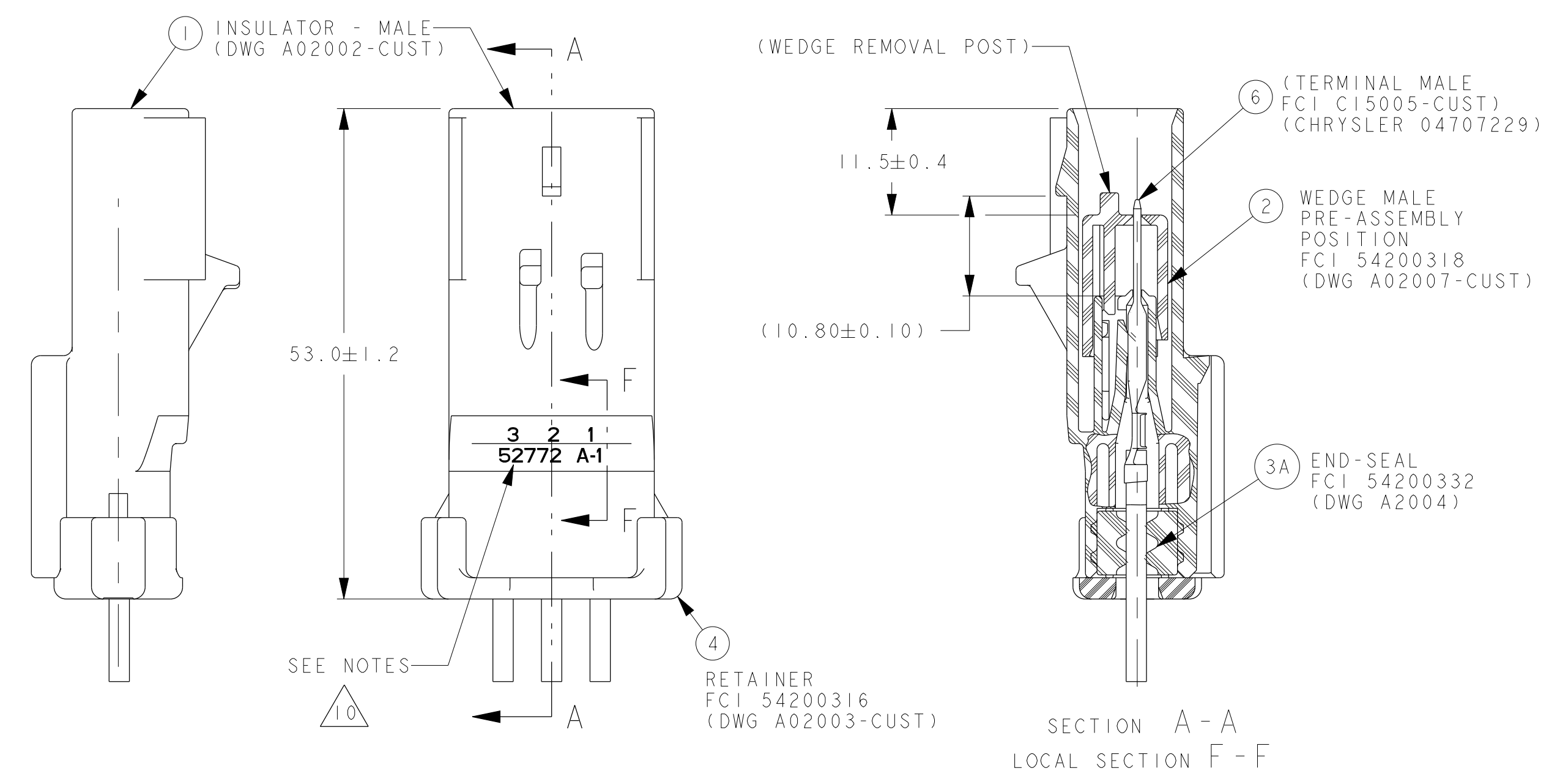
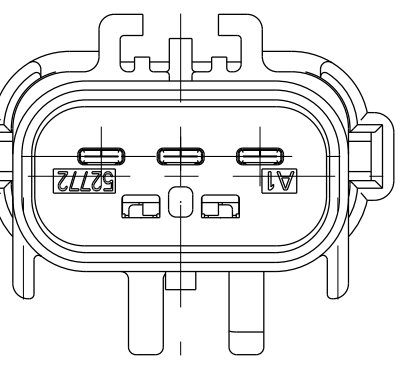
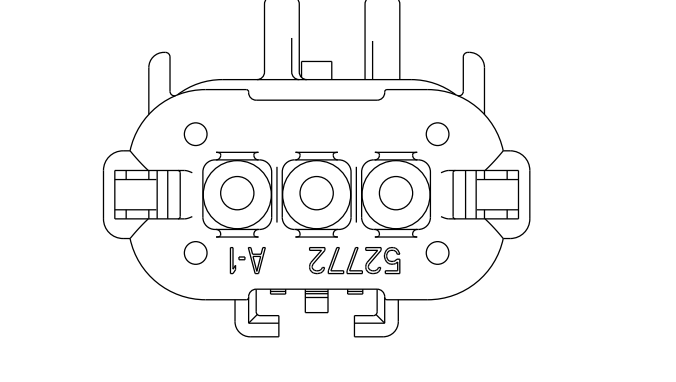


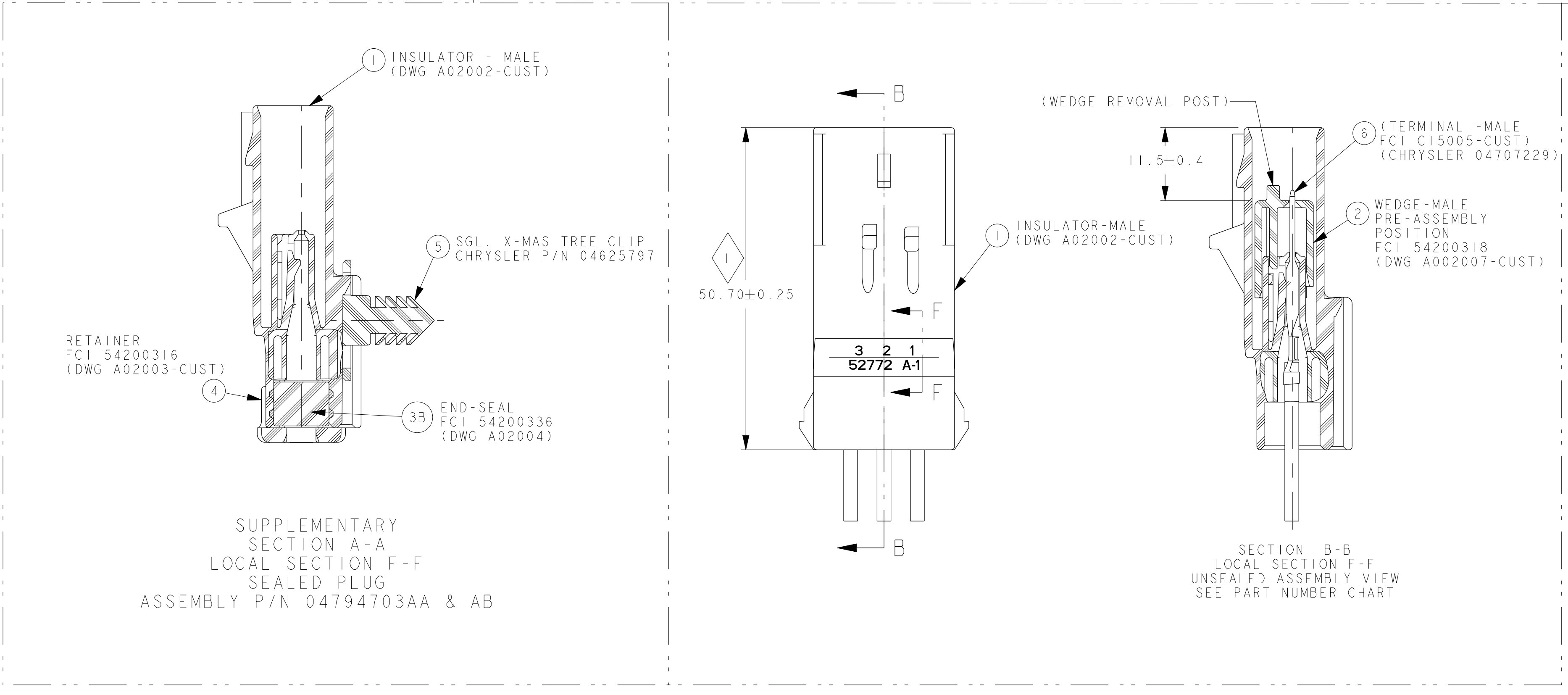
LAST 5 DIGITS OF 8 DIGIT P/N & PART CHANGE LEVEL (PCL) OR
 LAST 6 DIGITS OF >8 DIGIT P/N & PCL
 FIRST 6 DIGITS OF PDS P/N & PCL
 MFG. DAILY DATE CODE & ASSY MACHINE NO. LETTERING MUST BE LEGIBLE
 OPTIONAL



POLARIZATION OPTIONS
 FULL SIZE VIEWS



SEALED ASSEMBLY VIEWS
 SEE PART NUMBER CHART



SUPPLEMENTARY
 SECTION A-A
 LOCAL SECTION F-F
 SEALED PLUG
 ASSEMBLY P/N 04794703AA & AB

- NOTES:
- 1 QUALITY ASSURANCE REQUIREMENTS PER CHRYSLER PS-7300: 1 SPC DATA REQUIRED
 - 2 ENGINEERING APPROVAL OF SUPPLIER SAMPLES IS REQUIRED PRIOR TO AUTHORIZATION OF PART PRODUCTION
 - 3 CHANGES IN DESIGN COMPOSITION OR PROCESSING FROM THE PART PREVIOUSLY APPROVED FOR PART PRODUCTION REQUIRES PRIOR ENGINEERING APPROVAL
 - 4 WIRING FABRICATORS MUST PURCHASE FROM SOURCES SHOWN
 - 5 ALL THE SEALED CONNECTOR APPLICATIONS MAY BE USED WITH CHRYSLER WIRE SPEC. MS-8288 OR MS-9502 THIN WALL X-LINK 20, 18 & 14 GAGE WIRES ONLY UNLESS OTHERWISE SPECIFIED SEE CHART (WIRE INSULATIONS Ø1.70 MIN TO Ø2.70 MAX).
 - 6 ALL NON-SEALED APPLICATIONS MAY BE USED WITH ANY WIRE INSULATION 22 GAGE THRU 10 GAGE (EXCEPT AS NOTED) PROVIDING THAT A TERMINAL GRIP FOR THAT CORE/INSULATION COMBINATION IS SHOWN ON THE MALE TERMINAL DRAWING.
 NOTE: MAX. INSULATION CRIMP WIDTH = 4.50
 MAX. INSULATION CRIMP HEIGHT = 4.50
 MAX. INSULATION DIA. = 4.09 (10 GA THIN WALL)
 - 7 USE WITH CAVITY PLUG CHRYSLER P/N 56038308, FCI P/N 54200005 WHEN REQ'D USE WITH DOUBLE X-MAS TREE CLIP FCI P/N 54200010 W/FORWARD STOP WHEN REQUIRED USE WITH DOUBLE X-MAS TREE CLIP CHRYSLER P/N 04707091 WHEN REQUIRED USE WITH SINGLE X-MAS TREE CLIP CHRYSLER P/N 04625797 WHEN REQUIRED USE WITH 2.80MM APEX MALE TERM PER C15005-CUST ABOUT CENTERLINE FOR 180° ORIENTATION
 - 8 DIRECT CONNECT DRAWING NO. G36003 (CHRYSLER 56038158)
 - 9 TEST METHOD PER SPEC# SAE/USCAR-2 REV.5, CONNECTOR ENGAGE & DISENGAGE WITH FEMALE LATCH DEPRESSED FORCE NOT TO EXCEED 75 N FOR THIS SYSTEM
 WEDGE SEATING FORCES - 100 N MAX
 X-MAS TREE CLIP INSERTION FORCES - 75 N MAX
 - 10 SUPPLIER, MOLD & CAVITY I.D. SIGNIFIES TOOL OWNERSHIP, FOR REFERENCE

MATING PART NUMBER CHART

INDEX TYPE	COLOR	SEALED/UNSEALED	FCI P/N'S	CUSTOMER P/N'S	MALE ASSEMBLY PART NUMBERS	MATING ASSEMBLY PART NUMBER FOR REFERENCE ONLY	
D	NATURAL	UNSEALED	54200307	N/A	54200303N	N/A	
		UNSEALED	54200307	C 56038170	54200303	C 56038156	
		SEALED	54200315	N/A	54200311N	N/A	
		SEALED	54200315	C 56038166	54200311	C 56038152	
C	DK GREY	UNSEALED	54200306	N/A	54200302N	N/A	
		UNSEALED	54200306	C 56038169	54200302	C 56038155	
		SEALED	54200314	N/A	54200310N	N/A	
		SEALED	54200314	C 56038165	54200310	C 56038151	
B	LT GREY	UNSEALED	54200305	N/A	54200301N	N/A	
		UNSEALED	54200305	C 56038168	54200301	C 56038154	
		SEALED	54200313	N/A	54200309N	N/A	
		SEALED	54200313	C 56038164	54200309	C 56038150	
A	BLACK	UNSEALED	54200304	N/A	54200300N	N/A	
		UNSEALED	54200304	C 56038167	54200300	C 56038153	
		SEALED	54200312	N/A	54200308N	N/A	
		SEALED	54200312	N/A	54200335N	N/A	
A	DK GRN	SEALED	54200312	C 56038163	54200308	C 56038149	
		SEALED	54200367	C 04794703AB	54200308	C 56038149	
		SEALED	54200337	C 04794703AA	54200308	C 56038149	
		SEALED	54200354	N/A	54200346N	N/A	
A	DK GRN	SEALED	54200354	N/A	54200346N	N/A	
		SEALED	54200354	N/A	54200346	N/A	
		FCI	CUSTOMER	FCI	CUSTOMER		
		FCI	CUSTOMER	FCI	CUSTOMER		

CHART-ASSEMBLY PART NUMBERS

FCI P/N'S	CUSTOMER P/N'S	UNSEALED	SEALED
54200304	C 56038167		
54200305	C 56038168		
54200306	C 56038169		
54200307	C 56038170		
54200312	C 56038163		
54200313	C 56038164		
54200314	C 56038165		
54200315	C 56038166		
54200337	C 04794703AA		
54200367	C 04794703AB		

CHART-ASSEMBLY PART NUMBERS

FCI P/N'S	CUSTOMER P/N'S	SEALED
54200354	N/A	N/A
F574110	N/A	N/A
F674110	N/A	N/A

CONNECTOR ASSEMBLY TEMPERATURE CLASS PER SAE/USCAR-2 REV 5

REQUIRED	REQUIRED	(CLASS 3)			ITEM	PART NAME (MATERIAL)	INDEX	(CLASS 4)		REQUIRED
		FCI PART NO.	FCI DWG NO.	COLOR				FCI PART NO.	COLOR	
I	I				INSULATOR (NYLON 66)	A	54200342	DK GREEN	I	
I	I				INSULATOR (NYLON 66)	B	F974110	DK BLUE	I	
	I				INSULATOR (NYLON 66)	C	F084110	DK BROWN		I
					INSULATOR (NYLON 66)	D	-----	-----	---	---
I	I	I	I	I	WEDGE (TPA) (NYLON 66)		54200366	NATURAL	I	I
		I	I	I	END SEAL (SILICONE)		54200364	DK BLUE	I	I
			I	I	END SEAL (SILICONE)					
		I	I	I	RETAINER (NYLON 66)		54200365	NATURAL	I	I
				I	SGL X-MAS TREE CLIP (NYLON 66)					
3	3	3	3	3					4	4
C	C	C	C	C					A	J

CUSTOMER: C CHRYSLER
 F FORD
 GM GENERAL MOTORS
 CU CUMMINS

FCI - FRAMATOME CONNECTORS INTERNATIONAL
 YNA - YAZAKI NORTH AMERICA

FCI 52772 OR 52772 H
 VENDOR VENDOR CODE P/N

11946	ALL	REVISED AND REDRAWN IN PDS. P/N'S F274110 THROUGH F374110, F084110 ADDED FOR TEMPERATURE CLASS 4 APPLICATION AND TABLE UPDATED. SEE REV. 02 FOR PREVIOUS CHANGES. P/N'S 54200358 AND MATING P/N 54200350 DELETED NOT TOOLED
REV. NO.	DATE	DESCRIPTION
055001	08/03/01	ISSUED FOR PRODUCTION
055002	08/03/01	ISSUED FOR PRODUCTION
055003	08/03/01	ISSUED FOR PRODUCTION
055004	08/03/01	ISSUED FOR PRODUCTION
055005	08/03/01	ISSUED FOR PRODUCTION
055006	08/03/01	ISSUED FOR PRODUCTION
055007	08/03/01	ISSUED FOR PRODUCTION
055008	08/03/01	ISSUED FOR PRODUCTION
055009	08/03/01	ISSUED FOR PRODUCTION
055010	08/03/01	ISSUED FOR PRODUCTION

SAE/USCAR-2 REV. 5
 PF-7300 QUALITY ASSURANCE (CHRYSLER)
 MS-9502 SEAL APPL. 150 °C
 MS-8288 SEAL APPL. 125 °C
 PS-9227 DATA EXCHANGE (CHRYSLER), (GOC9-7 YNA)
 PS-10052 INFORMATION SECURITY (CHRYSLER)

THIS DRAWING (H59011) REPLACES CHRYSLER DRAWING NUMBER 56038161 LEVEL "G"
 CHRYSLER DRAWING IS FOR REFERENCE ONLY FOR PREVIOUS CHANGES.

CHART-ASSEMBLY 3-WAY MALE
 H59011 K
 SERIAL RELEASED

X-ON Electronics

Largest Supplier of Electrical and Electronic Components

Click to view similar products for [Automotive Connectors](#) category:

Click to view products by [APTIV](#) manufacturer:

Other Similar products are found below :

[003-018-000](#) [60403001](#) [60993906-B](#) [M902-2131](#) [M902-2161](#) [72.330.1035.1](#) [73.353.4028.0](#) [F119300-B](#) [F166900](#) [F258300-B](#) [F358300-B](#)
[F407400](#) [F444110](#) [F487000](#) [F509500B-B](#) [827153-1](#) [8N1515-32-24P](#) [9-1326729-8](#) [925474-1](#) [928905-1](#) [964562-4](#) [968782-1](#) [GT17SA-8DS-](#)
[HU](#) [98891-1012](#) [98947-1016](#) [12004475-L](#) [12010290](#) [12010309-B](#) [12015454](#) [12020219-B](#) [12020308](#) [12041318-B](#) [12052225-L](#) [12052466](#)
[12059125](#) [12064869](#) [12004327-B](#) [12010503-B](#) [12015308](#) [12015384](#) [12015909](#) [1-21030-1](#) [12041254](#) [12041318](#) [12047946-B](#) [12047957](#)
[12047957-L](#) [12059473](#) [12066261](#) [12110546](#)