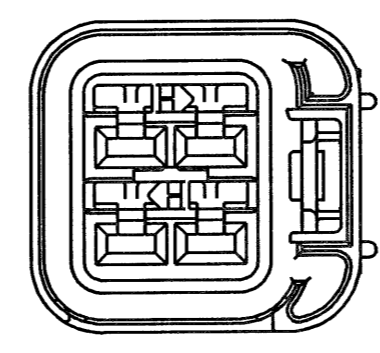
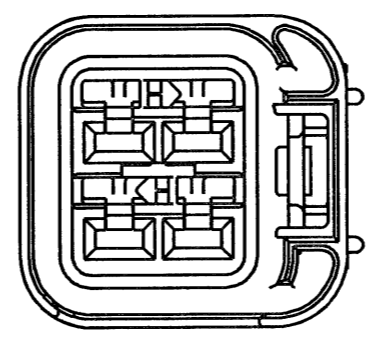


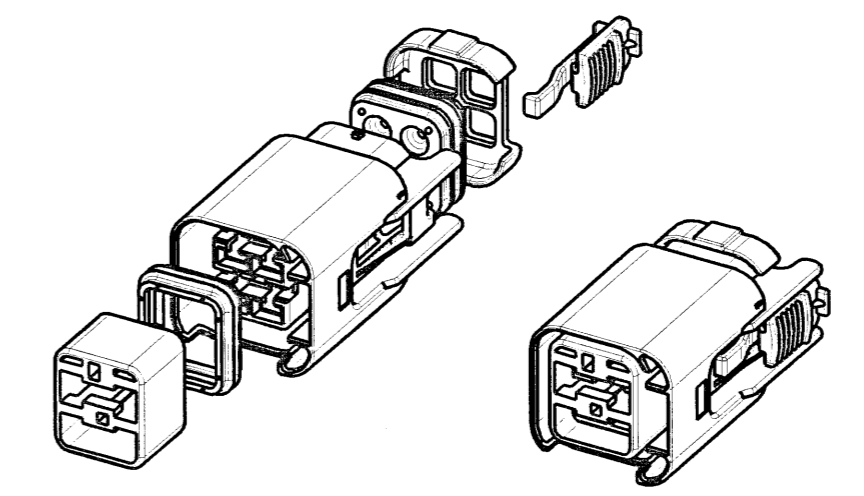
POLARIZATION TYPE "A" SCALE 2:1



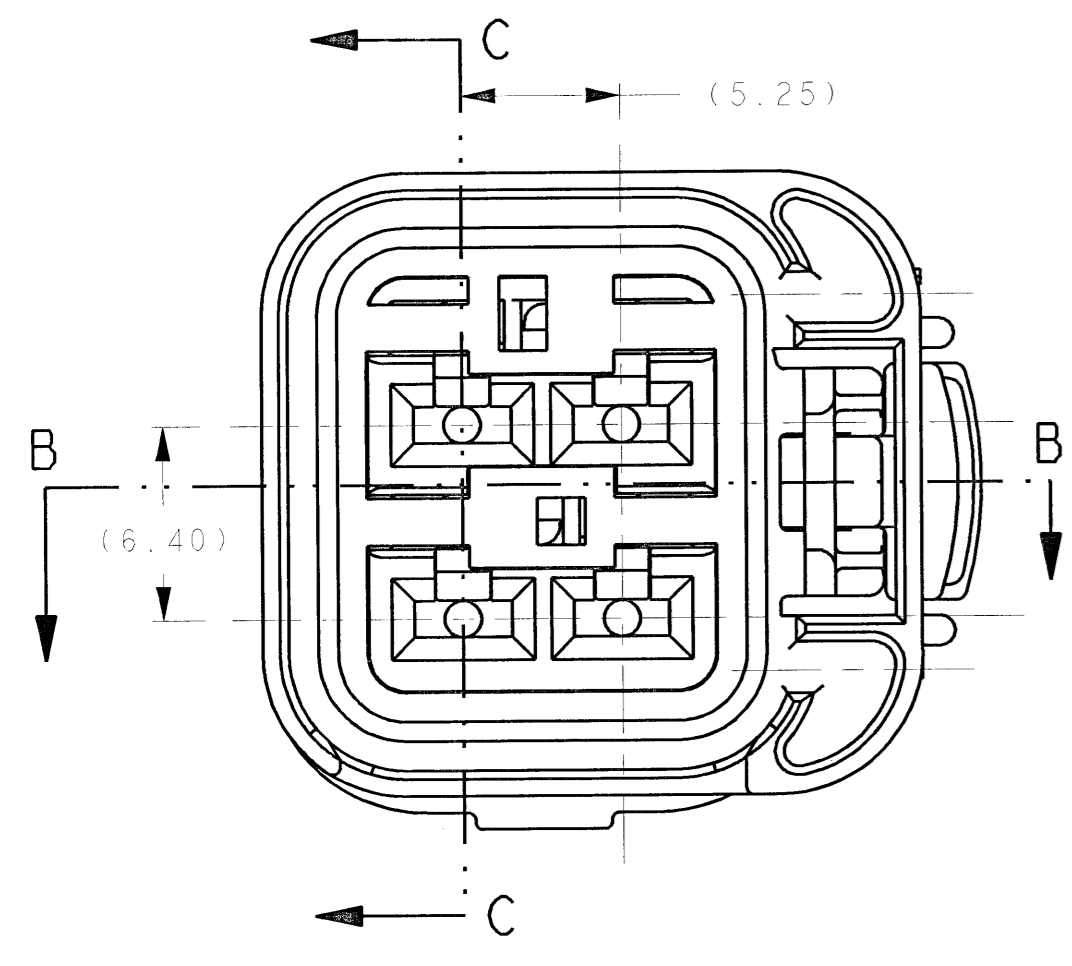
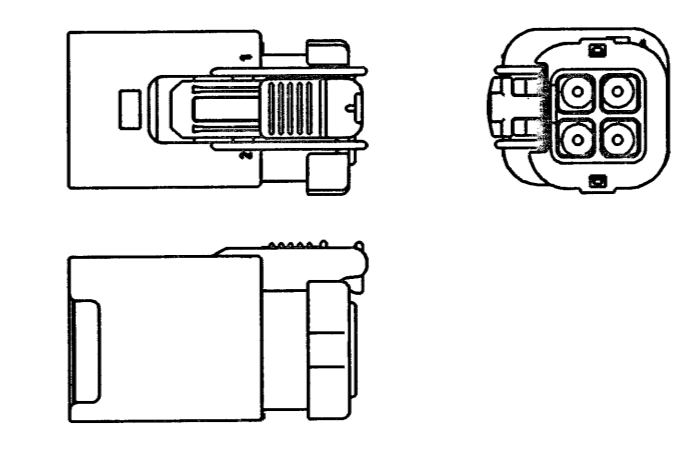
POLARIZATION TYPE "C" SCALE 2:1



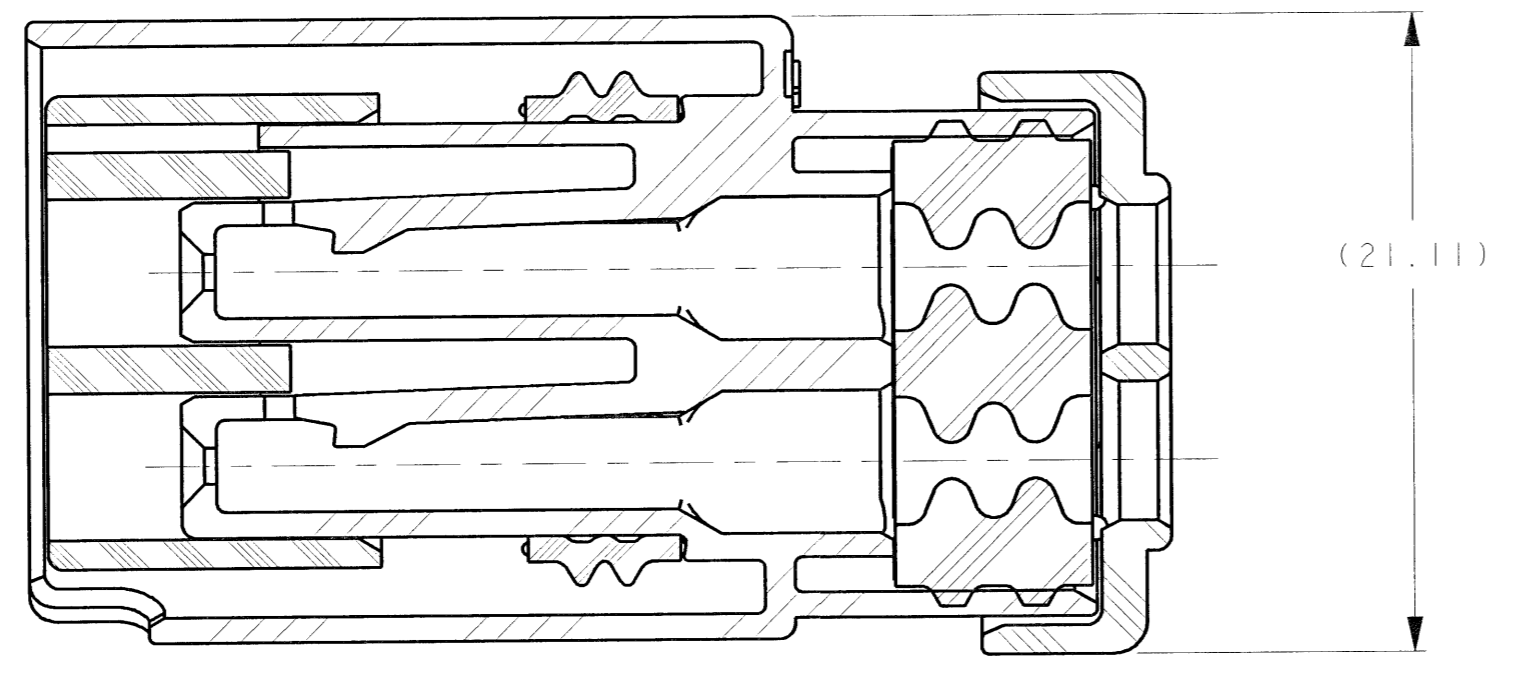
POLARIZATION TYPE "D" SCALE 2:1



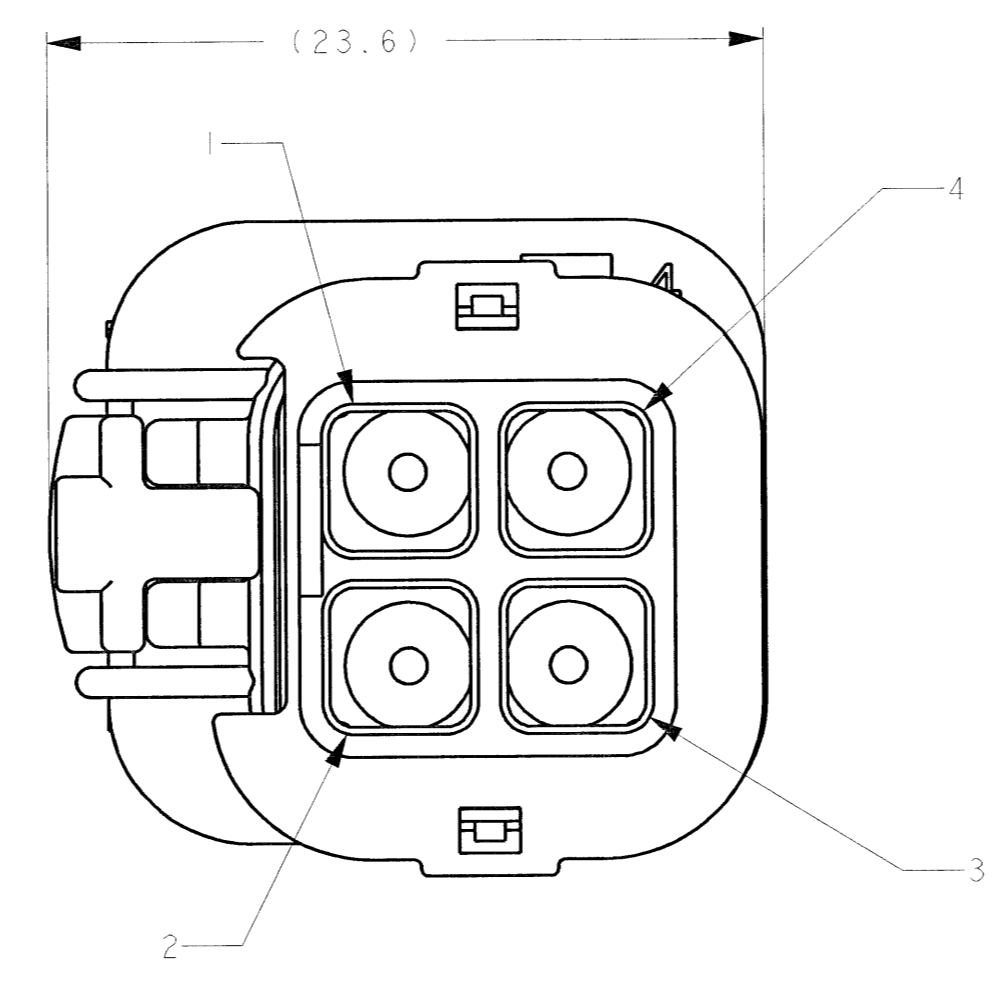
SCALE 1:1



MATING FACE OF CONNECTOR (POLARIZATION TYPE "B" SHOWN)



SECTION C-C



END VIEW CAVITY IDENTIFICATIONS FOR REFERENCE

NOTES:

ENGINEERING APPROVAL OF SUPPLIER SAMPLES IS REQUIRED PRIOR TO AUTHORIZATION OF PART PRODUCTION.

CHANGES IN DESIGN COMPOSITION OR PROCESSING FROM THE PART PREVIOUSLY APPROVED FOR PART PRODUCTION REQUIRES PRIOR ENGINEERING APPROVAL.

WIRING FABRICATORS MUST PURCHASE FROM SOURCES SHOWN:

1) FCI AUTOMOTIVE

MATES WITH: 54450400 - HEADER POLARIZATION TYPE "B" 2 X 2 2.80 APEX SYSTEM

END SEAL P/N 54200471 IS DESIGNED FOR 14-20 GA WIRE (INSULATION Ø1.70 MIN. TO Ø2.77 MAX. THIN WALL X-LINK)

USE WITH 2.80mm APEX FEMALE TERMINAL

USE WITH CAVITY PLUG, P/N-54200005 WHEN REQUIRED.

CONNECTOR ASSEMBLY MUST MEET USCAR SPECIFICATION SAE/USCAR-2 -DECEMBER 1999 WITH THE FOLLOWING EXCEPTIONS:

- CONTINUING CONFORMANCE PER FCI SPEC WL-0A-001

ASSEMBLY NUMBER	CUSTOMER PART #	SEALED OR UNSEALED	POLARIZATION	(1) 54200483 (INSULATOR) (BLACK)	(1) 54200470 (INSULATOR) (LT. GRAY)	(1) 54200484 (INSULATOR) (DK. GRAY)	(1) 54200485 (INSULATOR) (NATURAL)	(2) 54200471 (END SEAL) (LT. BLUE)	(3) 54200472 (RETAINER) (BLACK)	(4) 54200473 (WEDGE) (ROYAL BLUE)	(5) 54200474 (RING SEAL) (BURNT ORANGE)	(6) 54200475 (CPA) (RED)
TBD	TBD	SEALED	D									
TBD	TBD	SEALED	C									
54200476	DELPHI 15324862	SEALED	B									
54200487	DELPHI 15418506	SEALED	A									
TBD	TBD	UNSEALED	D									
TBD	TBD	UNSEALED	C									
54200477	TBD	UNSEALED	B									
54200490	TBD	UNSEALED	A									

CHART - ASSEMBLY PART NUMBERS

SEE CHART	-	-	-	-
PART NUMBER F.C.I.	PART NUMBER	REV DATE	REV	DRAWING NUMBER
	CUSTOMER			

DRAWING NO.	F04018				REV	E
	REVISION					
ALL	4613	E	REVISED END SEAL #54200471 REMOVED MATRL. SAVER CORING	4-24-02	J.P.	
F1	4055	D	CUSTOMER P/N AND POLE TYPE A, C, AND D ADDED	10-02-01	B.M.	
DRAWING NO. F04018				REVISION E		
F3	3593	C	(0.6) WAS 0.6±0.3	03-15-01	S.D.	
E3			REMOVE P/N 54200470 ADD SHOWN ON NOTE			
D1	3488	B	#5 COLOR BURNT ORANGE WAS RED	2-13-01	D.T.	
-	3194	A	REPLACE F04018-A, F04018-B RELEASE FOR PRODUCTION	9-21-00	G.D.	
ZONE	ECN	LET	REVISION RECORD	DATE	D.W.	C.H.
LAST INSP CODE					REEL	
LAST TOOL CODE					REEL	
LAST SEC					REEL	
C					REEL	
LAST DATUM					REEL	
MATERIAL: SEE INDIVIDUAL DRAWINGS				SCALE: 4:1 & NOTED		
REFERENCE: ESR-4680				SYSTEM: PRO/E		
THIS IS A COMPUTER AIDED DESIGN DRAWING				FILE NAME: F04018.DRW		
NAME: CHART - ASSEMBLY 4 WAY (2x2) FEMALE (2.80mm APEX CONNECTOR SYSTEM)				DRAWING NO. F04018		
				SHEET 1 OF 1		

X-ON Electronics

Largest Supplier of Electrical and Electronic Components

Click to view similar products for [Automotive Connectors](#) category:

Click to view products by [APTIV](#) manufacturer:

Other Similar products are found below :

[003-018-000](#) [60403001](#) [60993906-B](#) [629515004020001](#) [M902-2131](#) [M902-2161](#) [72.330.1035.1](#) [73.353.4028.0](#) [F119300-B](#) [F166900](#)
[F258300-B](#) [F358300-B](#) [F407400](#) [F444110](#) [F487000](#) [F509500B-B](#) [827153-1](#) [8N1515-32-24P](#) [9-1326729-8](#) [925474-1](#) [928905-1](#) [964562-4](#)
[968782-1](#) [GT17SA-8DS-HU](#) [98891-1012](#) [98947-1016](#) [12004475-L](#) [12010290](#) [12010309-B](#) [12015454](#) [12020219-B](#) [12020308](#) [12041318-B](#)
[12052225-L](#) [12052466](#) [12059125](#) [12064869](#) [12004327-B](#) [12010503-B](#) [12015308](#) [12015384](#) [12015909](#) [1-21030-1](#) [12041254](#) [12041318](#)
[12047946-B](#) [12047957](#) [12047957-L](#) [12059473](#) [12066261](#)