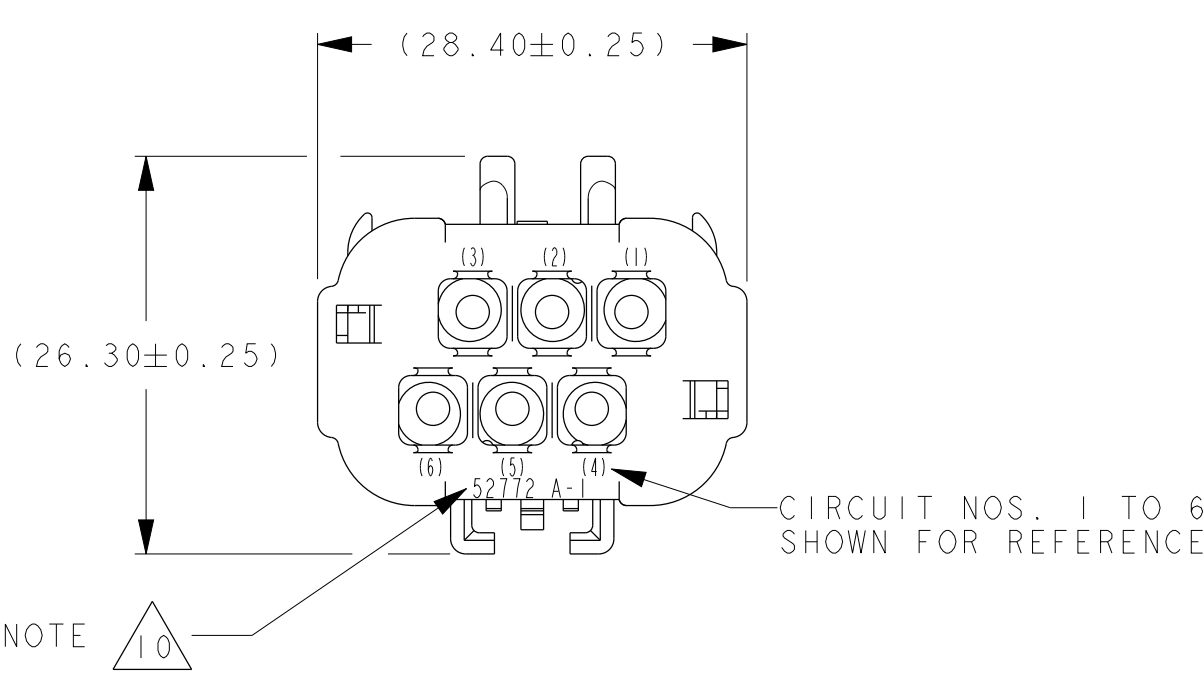
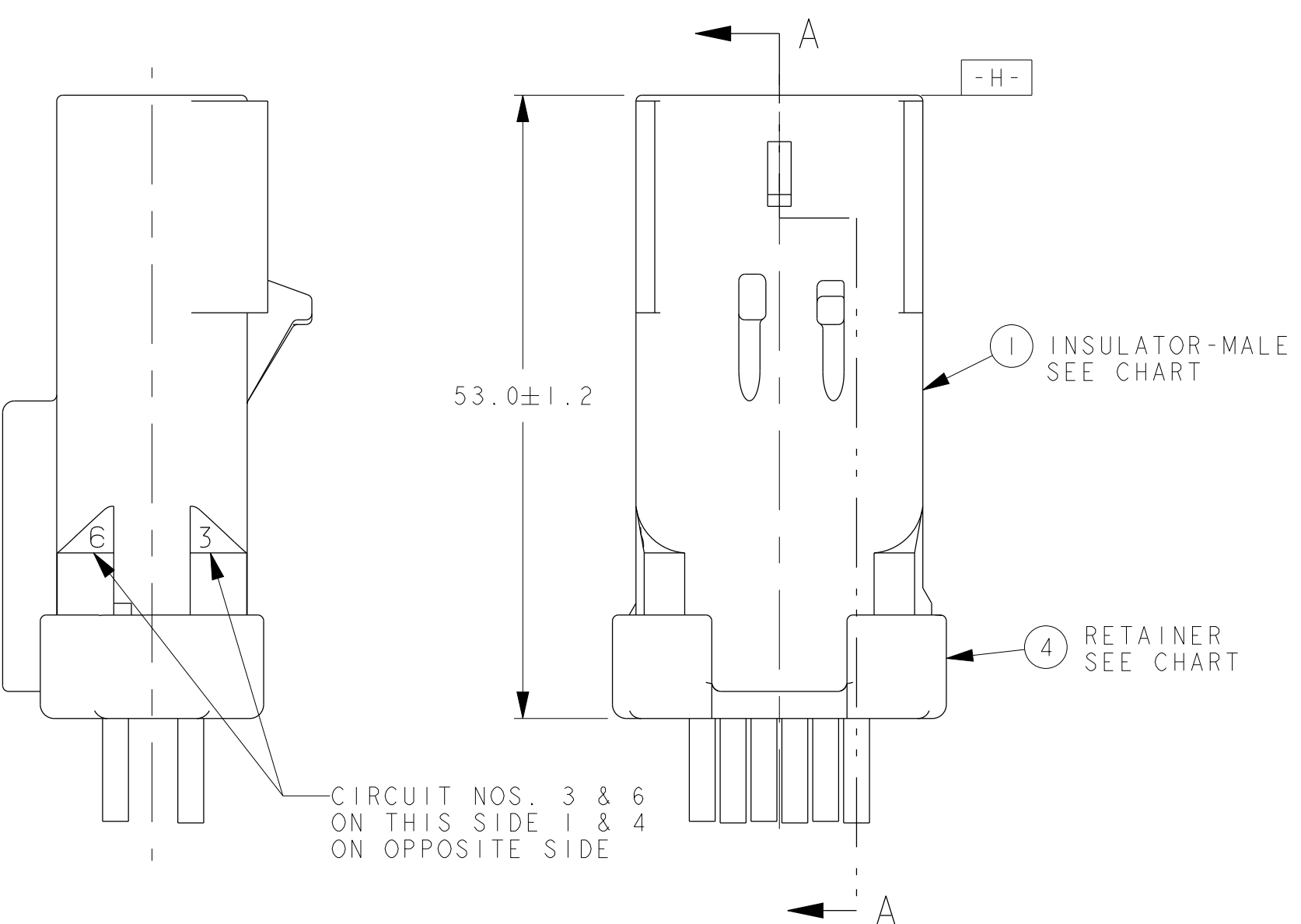
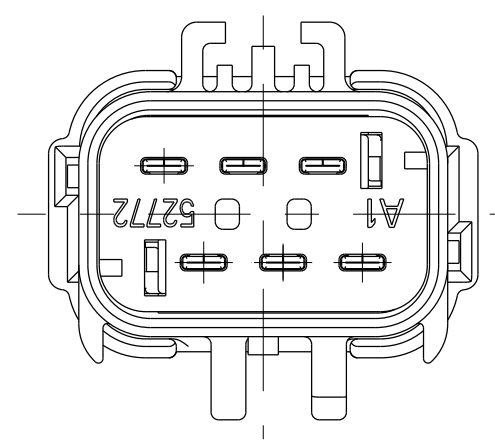
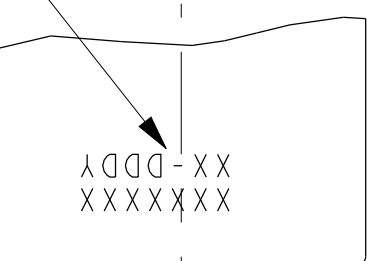
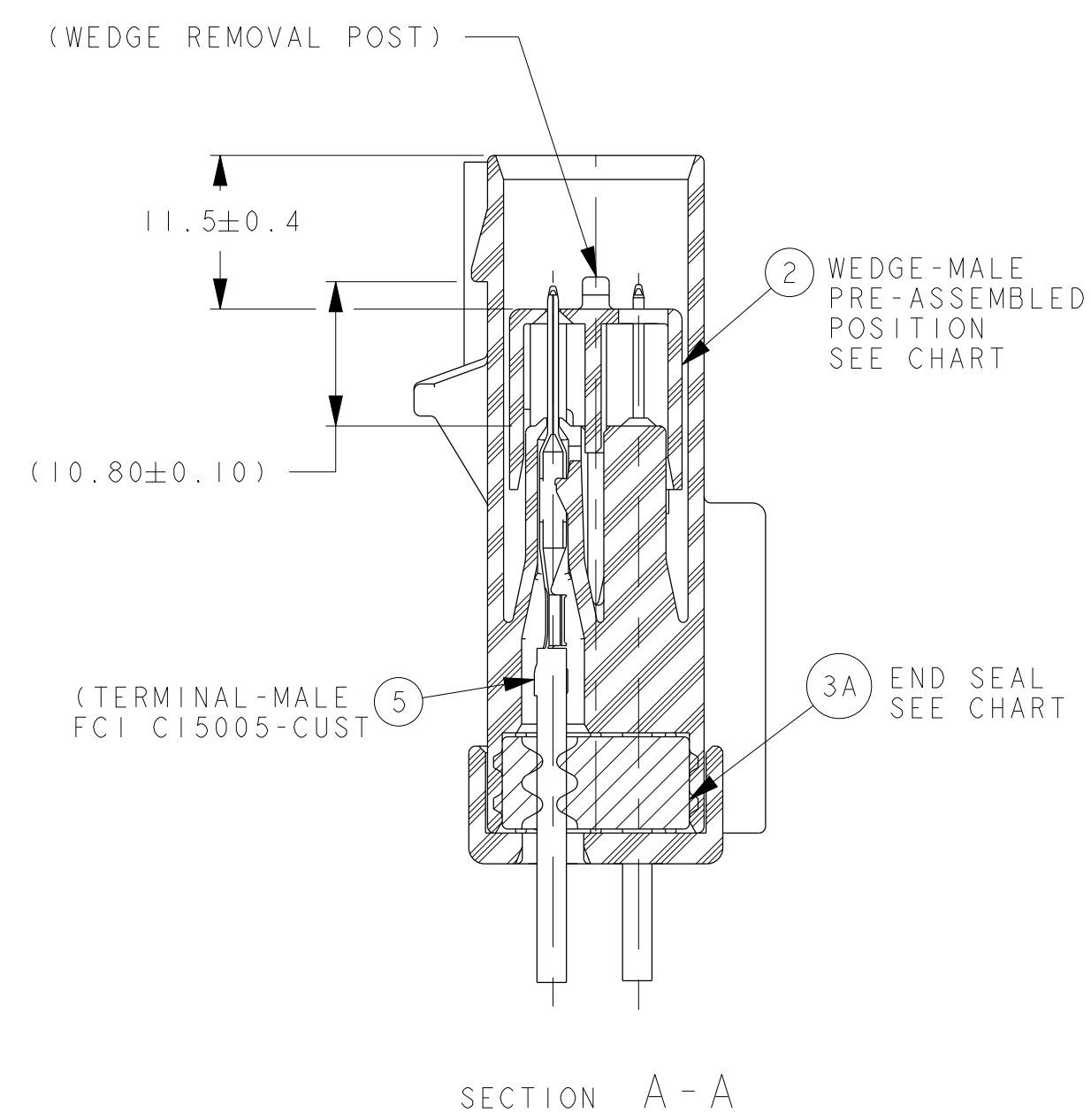


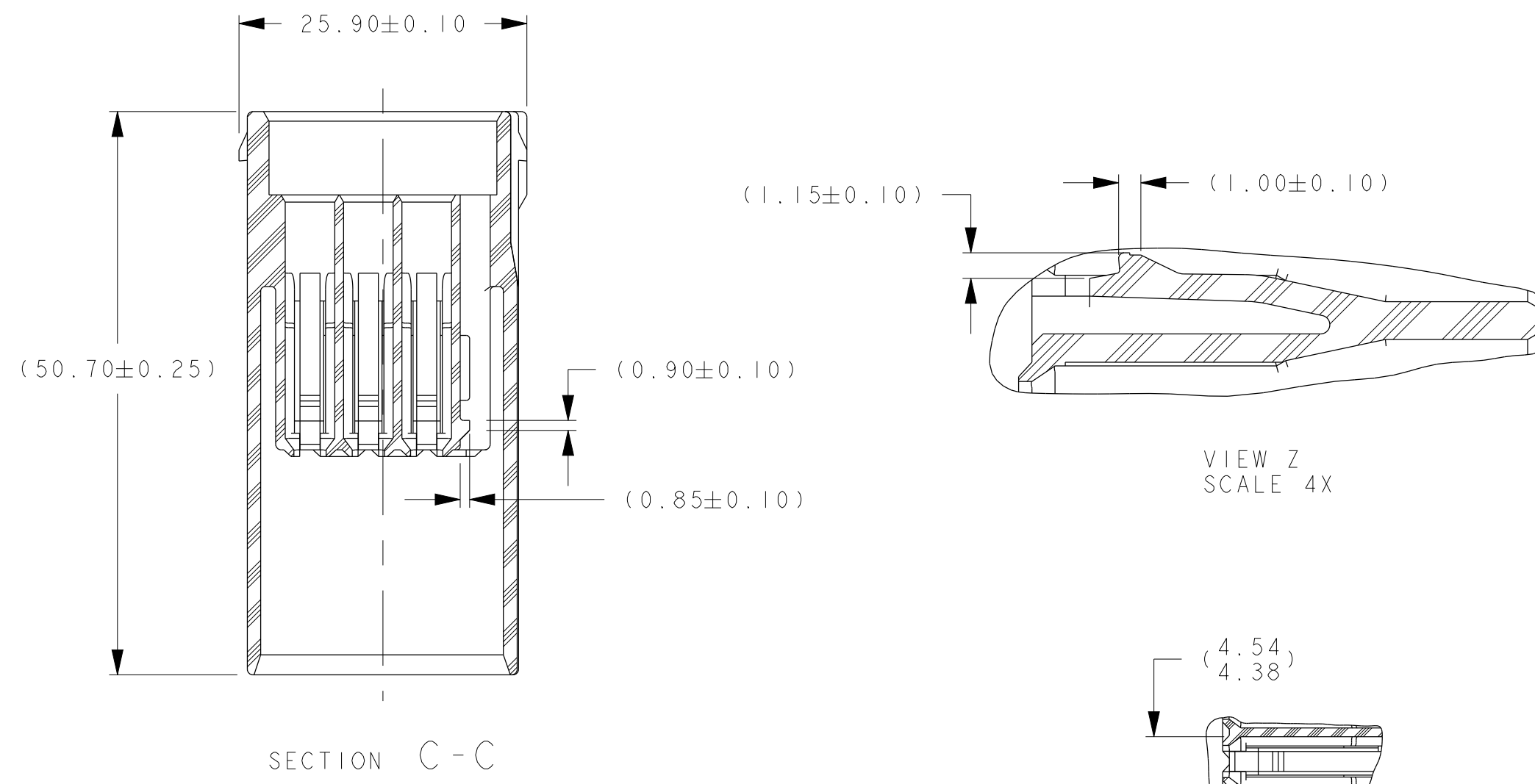
LAST 5 DIGITS OF 8 DIGIT P/N & PART CHANGE LEVEL (PCL) OR
 LAST 6 DIGITS OF 10 DIGIT OR PDS NO. PART CHANGE LEVEL (PCL)
 MFG. DAILY DATE CODE & ASSY MACHINE NO. LETTERING MUST BE LEGIBLE
 OPTIONAL



SEALED ASSEMBLY VIEWS
 SEE CHART

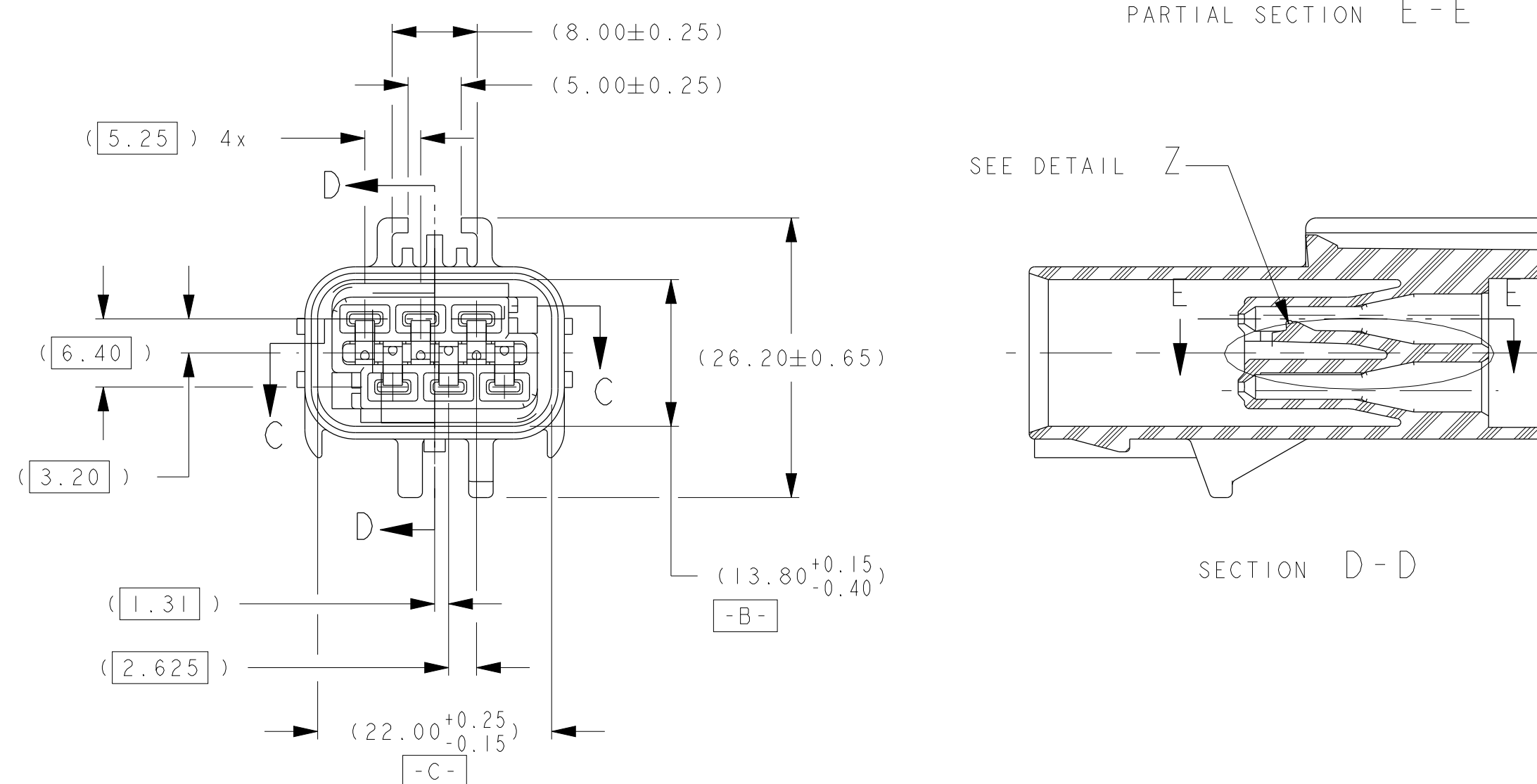


SECTION A-A

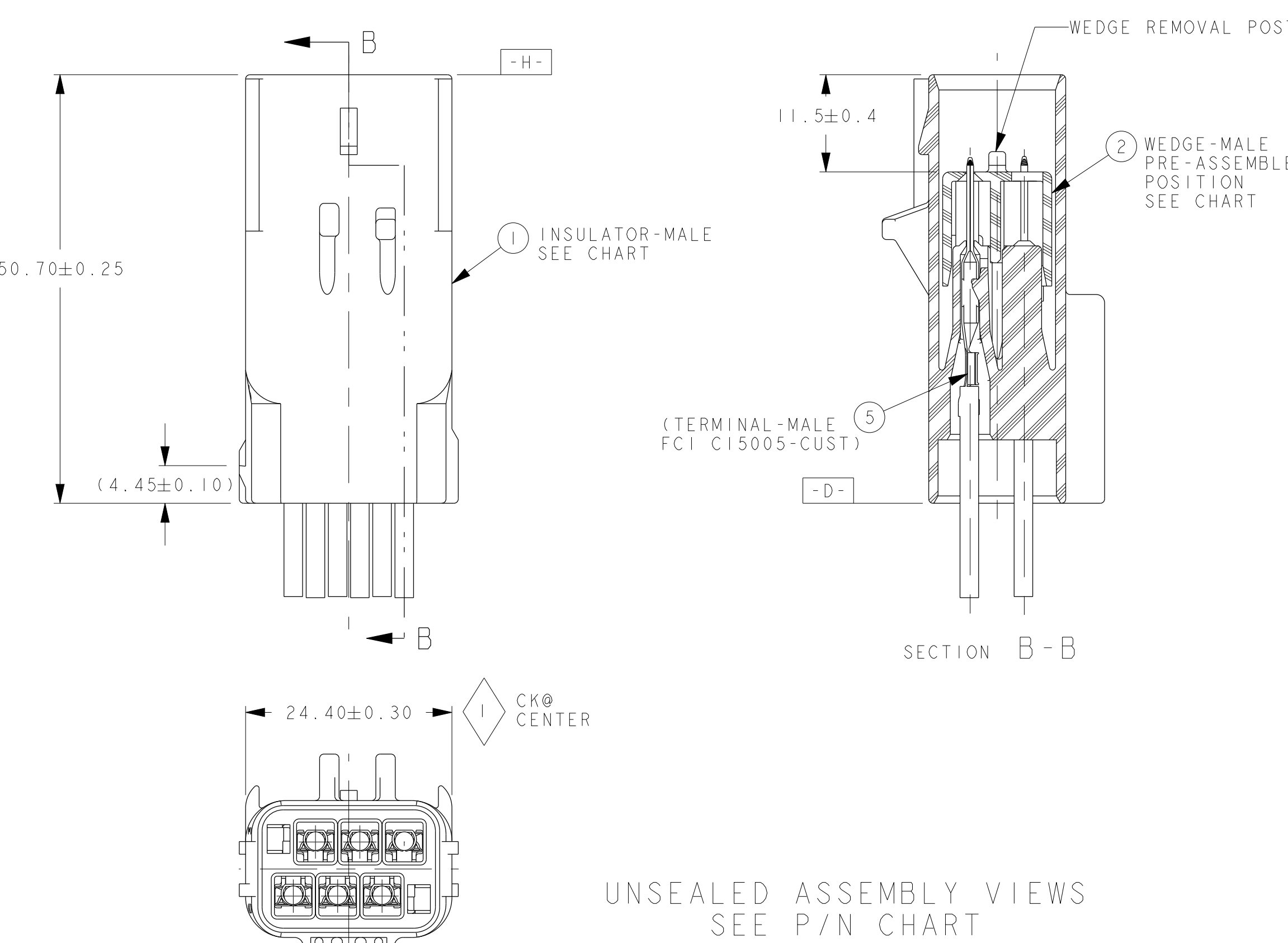


SECTION C-C

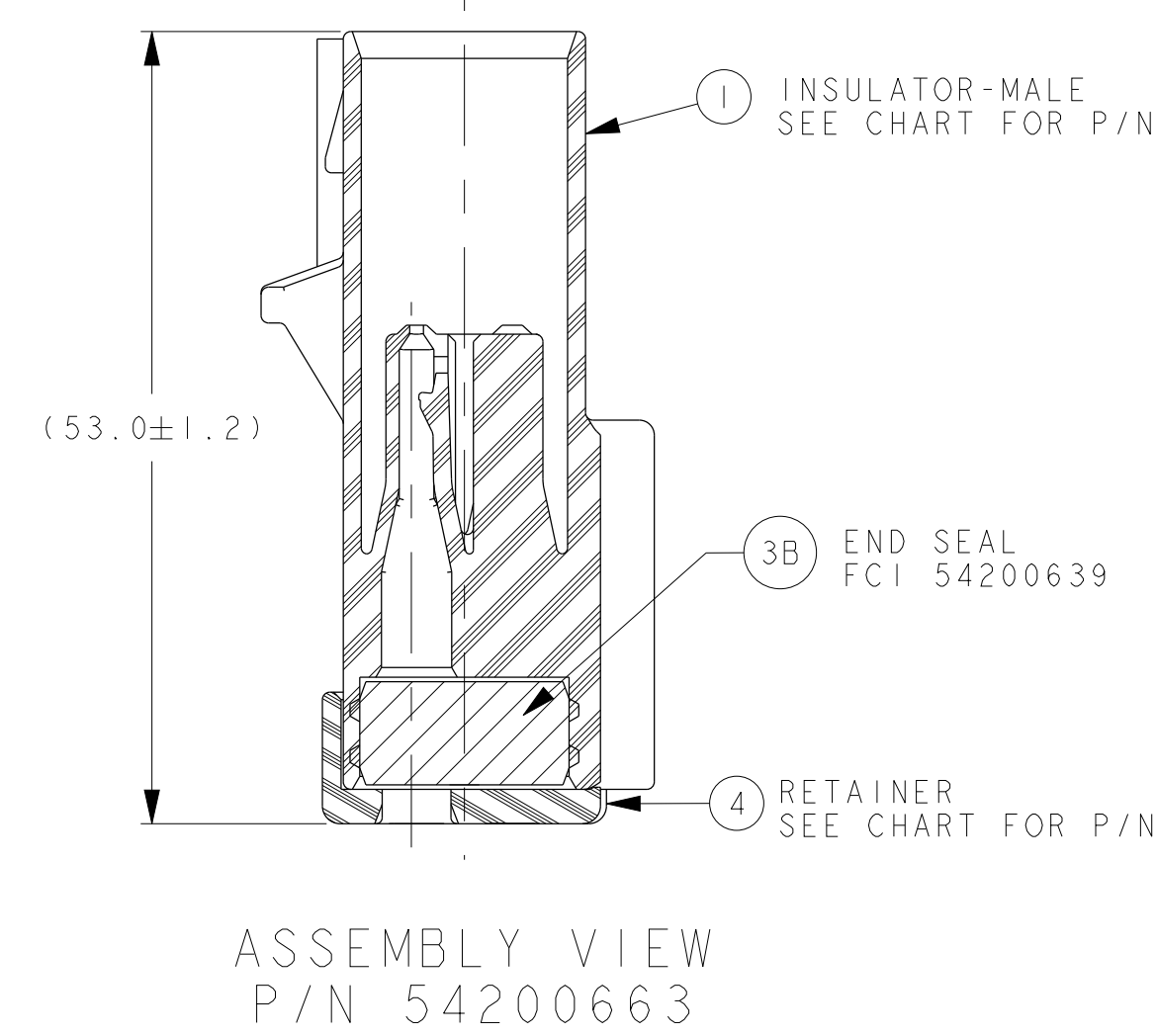
PARTIAL SECTION E-E



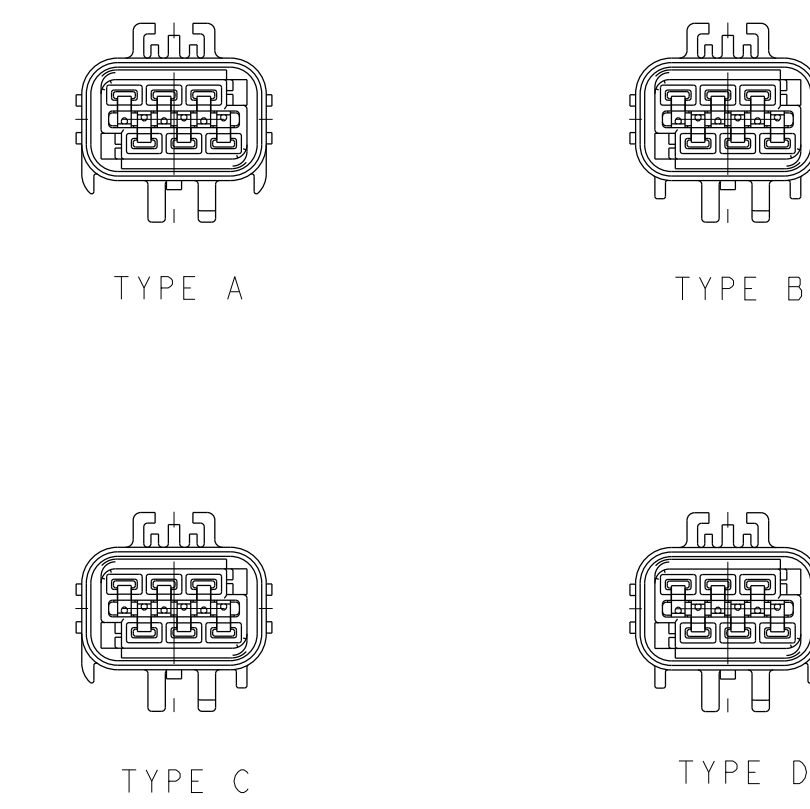
INSULATOR VIEWS FOR REFERENCE



UNSEALED ASSEMBLY VIEWS
 SEE P/N CHART



ASSEMBLY VIEW
 P/N 54200663



POLARIZATION OPTIONS
 FULL SIZE

- NOTES:
- 1 QUALITY ASSURANCE REQUIREMENTS PER CHRYSLER PS-7300: 1 DIMENSIONAL OR PROCESS PARAMETERS PERMISSIBLE
 - 2 ENGINEERING APPROVAL OF SUPPLIER SAMPLES IS REQUIRED PRIOR TO AUTHORIZATION OF PART PRODUCTION.
 - 3 CHANGES IN DESIGN COMPOSITION OR PROCESSING FROM THE PART PREVIOUSLY APPROVED FOR PART PRODUCTION REQUIRES PRIOR ENGINEERING APPROVAL
 - 4 ALL SEALED CONNECTOR APPLICATIONS MUST BE USED WITH THIN WALL X-LINK WIRE INSULATIONS PER MS-8288, MS-9502, ESB-MIL123-A, GMM15626 OR ISO 6722 EQUIVALENTS.
 - A - ASSEMBLIES WITH END SEAL P/N 54200656 MUST BE USED WITH Ø1.70 MIN. TO Ø2.77 MAX. OD WIRES
 - B - ASSEMBLIES WITH END SEAL P/N 54200658 MUST BE USED FOR CIRCUITS 2 & 5 WITH Ø 3.07 TO Ø 4.09 AND 1, 2, 4 & 6 WITH Ø1.70 TO Ø2.77 INSULATION OD ONLY
 - 5 ALL NON-SEALED APPLICATIONS MAY BE USED WITH ANY WIRE INSULATION 22AWG TO 10AWG OR ISO EQUIVALENTS (EXCEPT AS NOTED) PROVIDED THAT A TERMINAL GRIP FOR THAT CORE/INSULATION COMBINATION IS SHOWN ON FC1 C15005-CUST MALE TERMINAL DRAWING.
 - NOTE: MAX. INSULATION CRIMP WIDTH = 4.50
 - MAX. INSULATION CRIMP HEIGHT = 4.50
 - MAX. INSULATION CRIMP DIA. = 4.09 (10 GA THIN WALL)
 - 6 USE WITH FOLLOWING APPLICABLE COMPONENTS WHEN NEEDED:
 - CAVITY PLUG FC1 P/N 54200005 (CHRYSLER P/N 56038308)
 - DOUBLE X-MAS TREE CLIP CHRYSLER P/N 04707091
 - DOUBLE X-MAS TREE CLIP CHRYSLER P/N 04625797
 - 2-B0MM APEX MALE TERM PER C15005-CUST SYMMETRICAL ABOUT CENTERLINE FOR 180° ORIENTATION
 - 7 TEST METHOD PER PERFORMANCE SPEC SAE/USCAR-2 REV.3, CONNECTOR ENGAGE & DISENGAGE WITH FEMALE LATCH DEPRESSED FORCE NOT TO EXCEED 90N. FOR THIS SYSTEM.
 - WEDGE SEATING FORCES - 125N. MAX
 - X-MAS TREE CLIP INSERTION FORCES - 75N MAX
 - 8 SUPPLIER, MOLD & CAVITY I.D. SIGNIFIES TOOL OWNERSHIP. FOR REFERENCE
 - 9 ANNUAL QUALITY REQUIREMENTS:
 - IT IS PERMISSIBLE TO PERFORM CONTINUOUS CONFORMANCE PER FC1 SPECIFICATION #80A-001 INSTEAD OF ANNUAL LAYOUT & ANNUAL PV REQUIREMENTS OF QS-9000 SECTION 2 & SAE/USCAR-2 REV.5
 - ALL NON-REFERENCE DIMENSIONS ARE REQUIRED
 - USE INDEX A, BLACK SEALED AND UNSEALED FOR ALL AFFECTED INSULATOR CAVITIES
 - CURRENT PRODUCTION TOOLING
 - POINT OF LAST RUN
 - SERVICE TOOLING GUIDE INFORMATION PER APEX TRAINING MANUAL
 - 10 MUST CONFORM TO THE FOLLOWING CHRYSLER/YNA STANDARDS:
 - SAE/USCAR-2 REV. 5
 - PS-7300 QUALITY ASSURANCE (CHRYSLER)
 - MS-9502 SEAL APPL. 150 °C
 - MS-8288 SEAL APPL. 125 °C
 - PS-9227 DATA EXCHANGE (CHRYSLER), (G009-7 YNA)
 - PS-10052 INFORMATION SECURITY (CHRYSLER)
 - 11 THIS DRAWING (H59014) REPLACES CHRYSLER DRAWING NUMBER 04707322 LEVEL "P" DATED 5-29-01. CHRYSLER DRAWING NUMBER IS FOR REFERENCE ONLY

MATING PART NUMBER CHART							
INDEX TYPE	COLOR	SEALED/UNSEALED	MALE ASSEMBLY PART NUMBERS	FEMALE ASSEMBLY PART NUMBER FOR REFERENCE ONLY			
D	NATURAL	UNSEALED	54200607	C 04707335	54200603N	N/A	
		UNSEALED	54200607	C 04707335	54200603	C 04707316	
		SEALED	54200615	C 04707331	54200611N	N/A	
		SEALED	54200615	C 04707331	54200611	C 04707312	
		UNSEALED	54200606	C 04707334	54200602N	N/A	
		UNSEALED	54200606	C 04707334	54200602	C 04707315	
C	DK GREY	UNSEALED	54200614	C 04707330	54200610N	N/A	
		SEALED	54200614	C 04707330	54200610	C 04707311	
		UNSEALED	54200605	C 04707333	54200601N	N/A	
		UNSEALED	54200605	C 04707333	54200601	C 04794232AA	
		SEALED	54200613	C 04707329	54200609N	N/A	
		SEALED	54200613	C 04707329	54200609	C 04707310	
B	LT GREY	UNSEALED	54200604	C 04707332	54200600N	N/A	
		UNSEALED	54200604	C 04707332	54200600	C 04707313	
		SEALED	54200612	C 04707328	54200626N	N/A	
		SEALED	54200612	C 04707328	54200626	C 56042583AA	
		SEALED	54200612	C 04707328	54200608N	N/A	
		SEALED	54200612	C 04707328	54200608	C 04707309	
A	BLACK	SEALED	54200663	C 04608908AA	54200608	C 04707309	
		SEALED	54200661	C 04759912AA	54200660N	N/A	
		SEALED	54200661	C 04759912AA	54200660	C 04759914AA	
		FC1	CUSTOMER	FC1	CUSTOMER		

ASSEMBLY PART NUMBERS		UNSEALED		SEALED	
FC1 P/N'S	CUSTOMER P/N'S	FC1 P/N'S	CUSTOMER P/N'S	FC1 P/N'S	CUSTOMER P/N'S
54200604	C 04707332	54200604	C 04707332	54200612	C 04707328
54200605	C 04707333	54200605	C 04707333	54200613	C 04707329
54200606	C 04707334	54200606	C 04707334	54200614	C 04707330
54200607	C 04707335	54200607	C 04707335	54200615	C 04707331
54200608AA	C 04608908AA	54200608AA	C 04608908AA	54200616	C 04759912AA

REQUIRED	REQUIRED	ITEM	FC1 P/N	CHRYSLER P/N	PART NAME	MATERIAL	COLOR			
I	I	I	I	I	1	54200634	04707323	INSULATOR-MALE INDEX A	PA66GF	BLACK
I	I	I	I	I	1	54200635	04707324	INSULATOR-MALE INDEX B	PA66GF	LT GRY
I	I	I	I	I	1	54200636	04707325	INSULATOR-MALE INDEX C	PA66GF	DK GRY
I	I	I	I	I	1	54200637	04707326	INSULATOR-MALE INDEX D	PA66GF	NATURAL
I	I	I	I	I	2	54200647	04707327	WEDGE-MALE	PA66GF	RED
					3A	54200656	04707307	END SEAL MALE STANDARD	SILICONE	DK BLUE
					3A	54200658	N/A	END SEAL MALE HYBRID	SILICONE	LT BLUE
					3B	54200639	N/A	END SEAL-PLUG W/O HOLES	SILICONE	BRT ORANGE
					4	54200652	04707337	RETAINER	PA66GF	BLACK
3	3	3	3	3	3	3	3	CONNECTOR ASSEMBLY TEMPERATURE CLASS PER SAE/USCAR-2 REV.5		
A	A	A	C	F	C	B	B	D	PART CHANGE LEVEL (PCL)	
SEE NOTE 5		SEE NOTE 4A								
WIRE GAGE		WIRE GAGE								

CUSTOMER LEGENDS:
 CHRYSLER: C
 FORD: F
 GENERAL MOTORS: GM
 YAZAKI: NA: Y

FC1 SUPPLIER CODE: 52772 OR 52772H

REV.	DATE	BY	CHKD.	DESCRIPTION
1				ISSUED
2				REVISED

12-00878 ALL REVISED & REDRAWN IN PDS. PART NUMBER CHARTS UPDATED AND NOTES REVISED SEE REV P2 FOR PREVIOUS CHANGES

PROPERTY OF CHRYSLER GROUP LLC. THIS DRAWING AND ALL OTHER INFORMATION CONTAINED HEREIN IS PROPRIETARY AND THE PROPERTY OF CHRYSLER GROUP LLC. IT IS NOT TO BE REPRODUCED, COPIED, OR TRANSMITTED IN ANY FORM OR BY ANY MEANS, ELECTRONIC OR MECHANICAL, INCLUDING PHOTOCOPYING, RECORDING, OR BY ANY INFORMATION STORAGE AND RETRIEVAL SYSTEM, WITHOUT THE WRITTEN PERMISSION OF CHRYSLER GROUP LLC.

DATE: 04/28/07
 TITLE: CHART - ASSEMBLY
 DRAWING NUMBER: H59014
 SHEET: 1 OF 1

FCI SERIAL RELEASED

X-ON Electronics

Largest Supplier of Electrical and Electronic Components

Click to view similar products for [Automotive Connectors](#) category:

Click to view products by [APTIV](#) manufacturer:

Other Similar products are found below :

[003-018-000](#) [60403001](#) [60993906-B](#) [M902-2131](#) [M902-2161](#) [72.330.1035.1](#) [73.353.4028.0](#) [F119300-B](#) [F166900](#) [F258300-B](#) [F358300-B](#)
[F407400](#) [F444110](#) [F487000](#) [F509500B-B](#) [827153-1](#) [8N1515-32-24P](#) [9-1326729-8](#) [925474-1](#) [928905-1](#) [964562-4](#) [968782-1](#) [GT17SA-8DS-](#)
[HU](#) [98891-1012](#) [98947-1016](#) [12004475-L](#) [12010290](#) [12010309-B](#) [12015454](#) [12020219-B](#) [12020308](#) [12041318-B](#) [12052225-L](#) [12052466](#)
[12059125](#) [12064869](#) [12004327-B](#) [12010503-B](#) [12015308](#) [12015384](#) [12015909](#) [1-21030-1](#) [12041254](#) [12041318](#) [12047946-B](#) [12047957](#)
[12047957-L](#) [12059473](#) [12066261](#) [12110546](#)