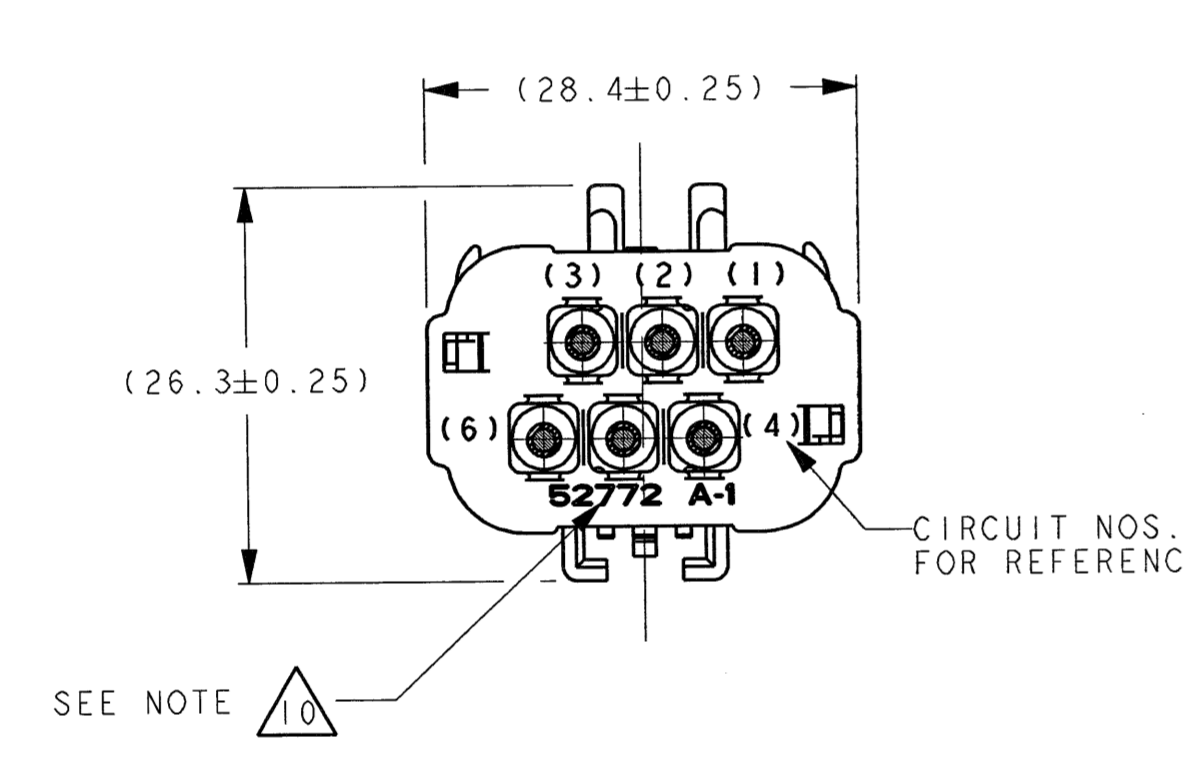
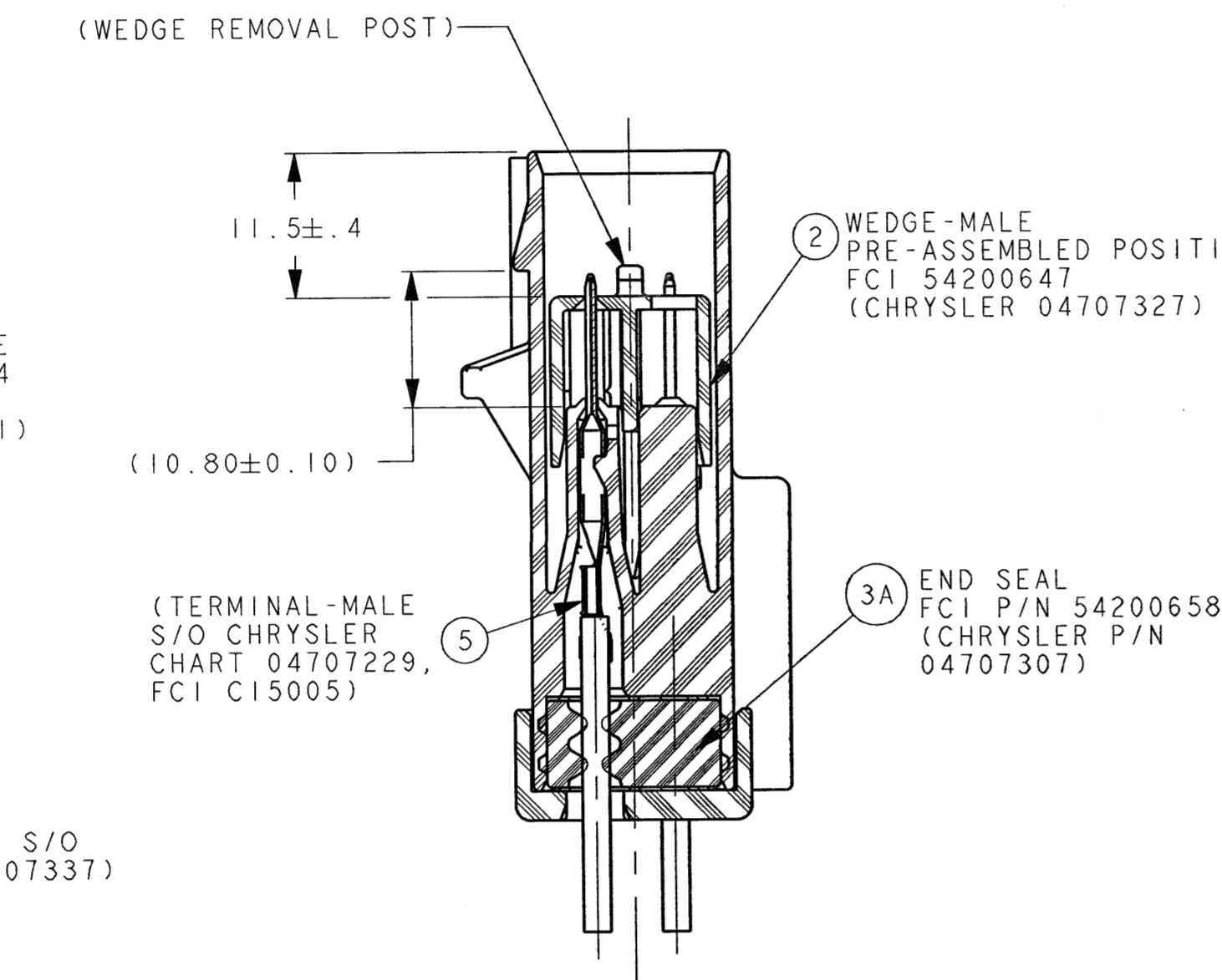
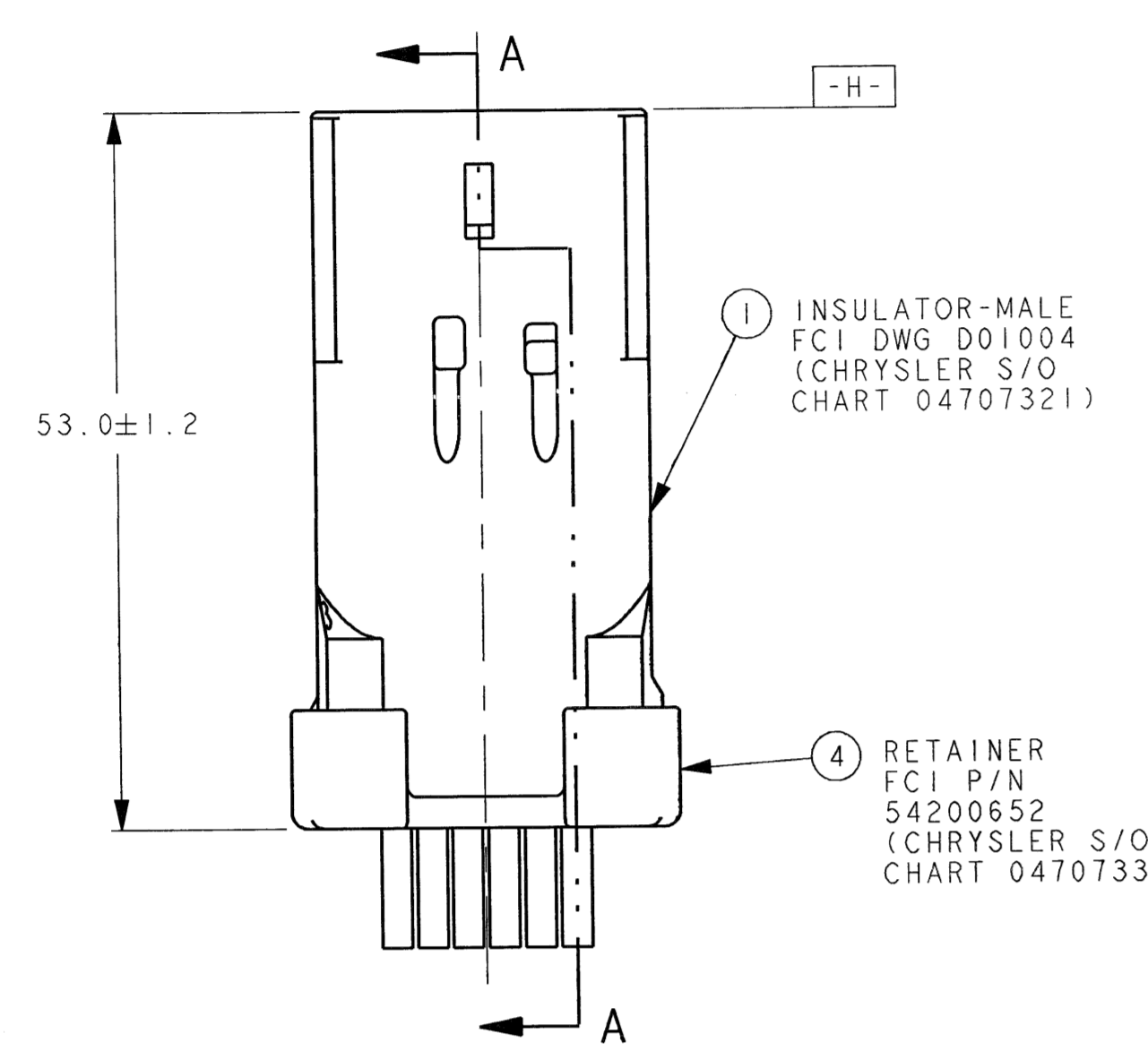
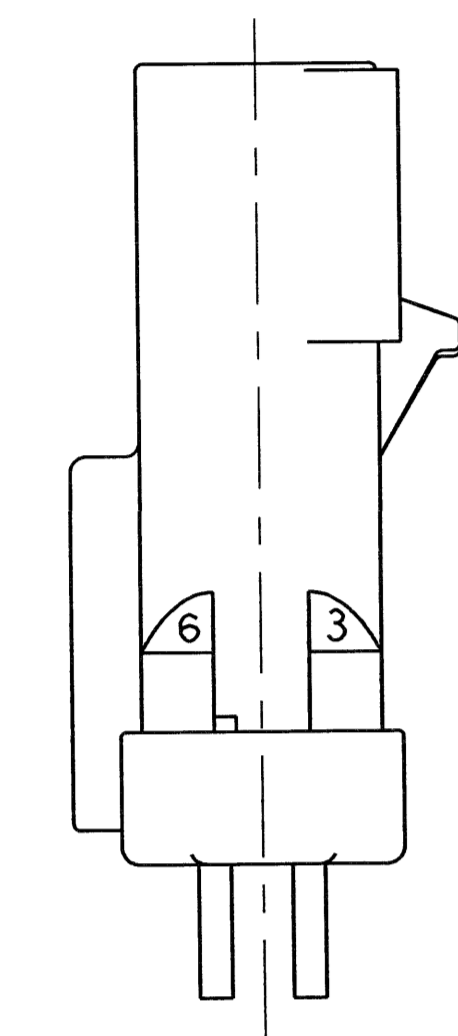
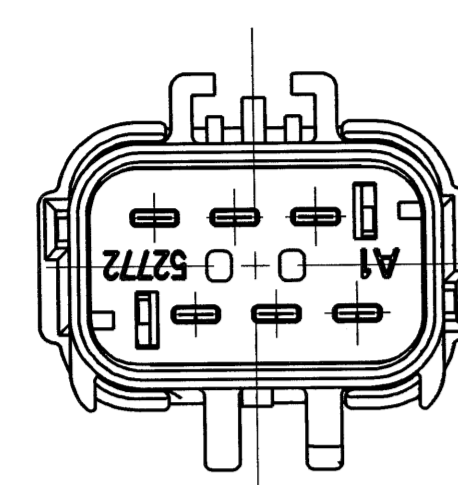
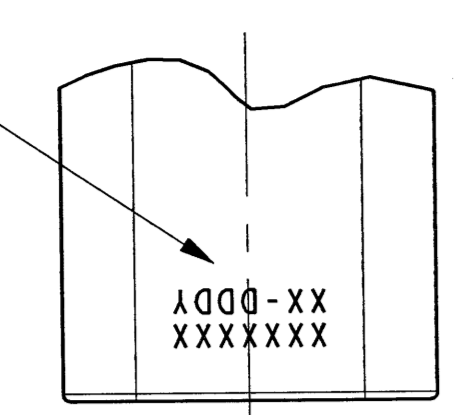
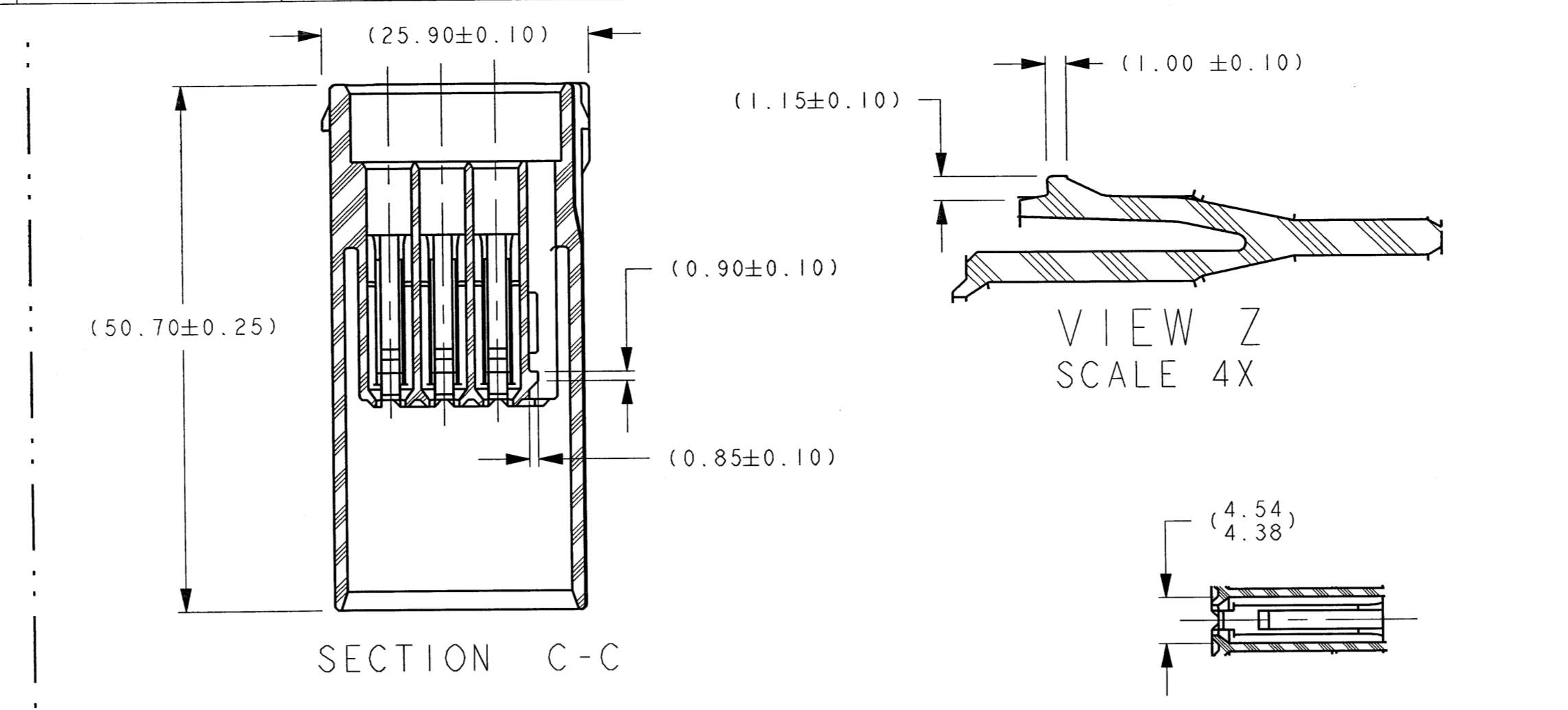


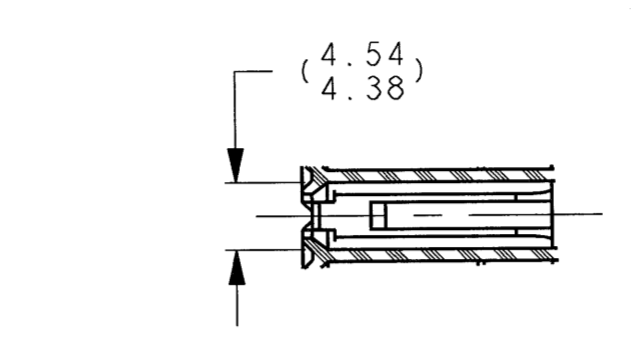
LAST 5 DIGITS OF 8 DIGIT P/N & PART CHANGE LEVEL (PCL) OR
LAST 6 DIGITS OF 10 DIGIT P/N & PART CHANGE LEVEL (PCL)
MFG. DAILY DATE CODE & ASSY MACHINE NO. LETTERING MUST BE LEGIBLE
OPTIONAL



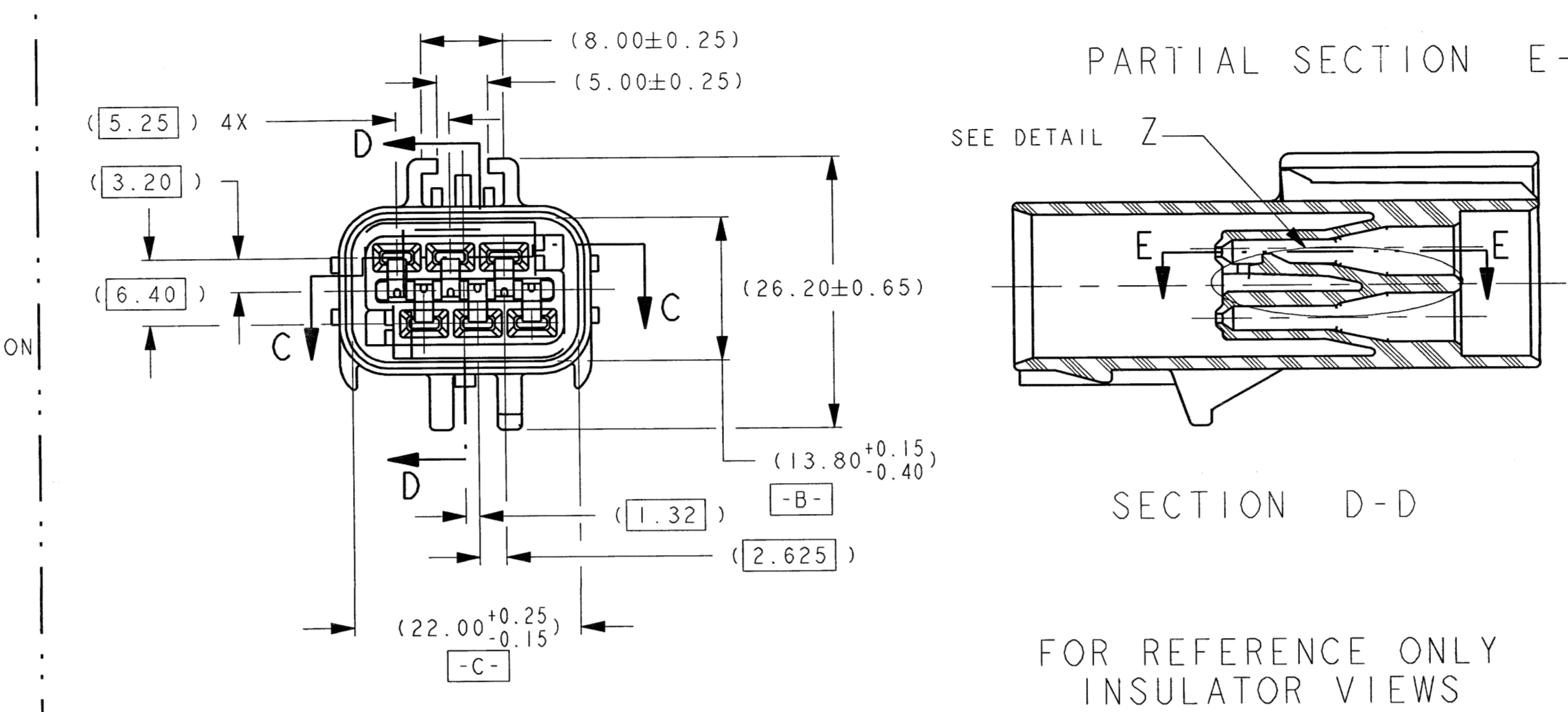
SEALED ASSEMBLY VIEWS
SEE CHART



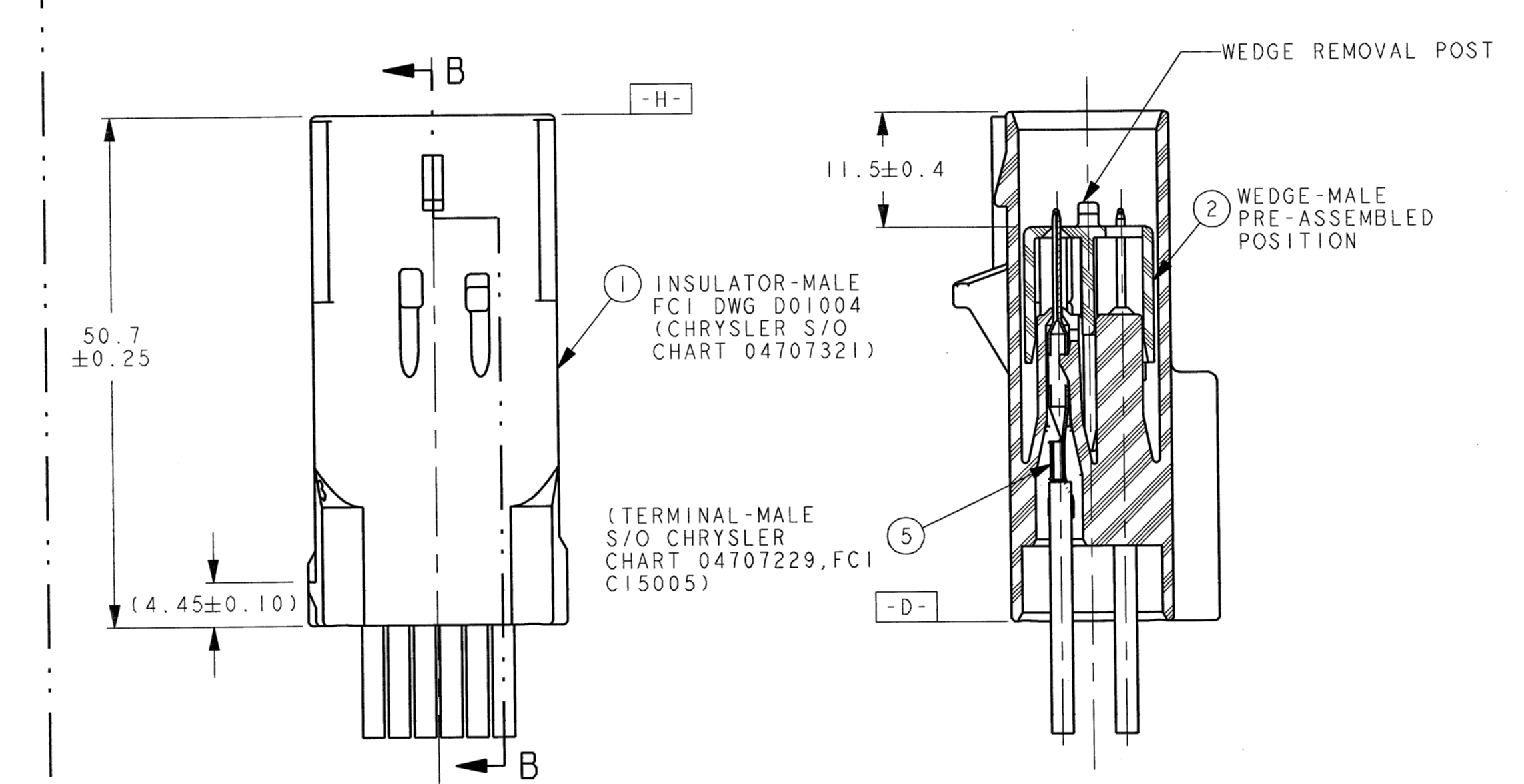
VIEW Z
SCALE 4X



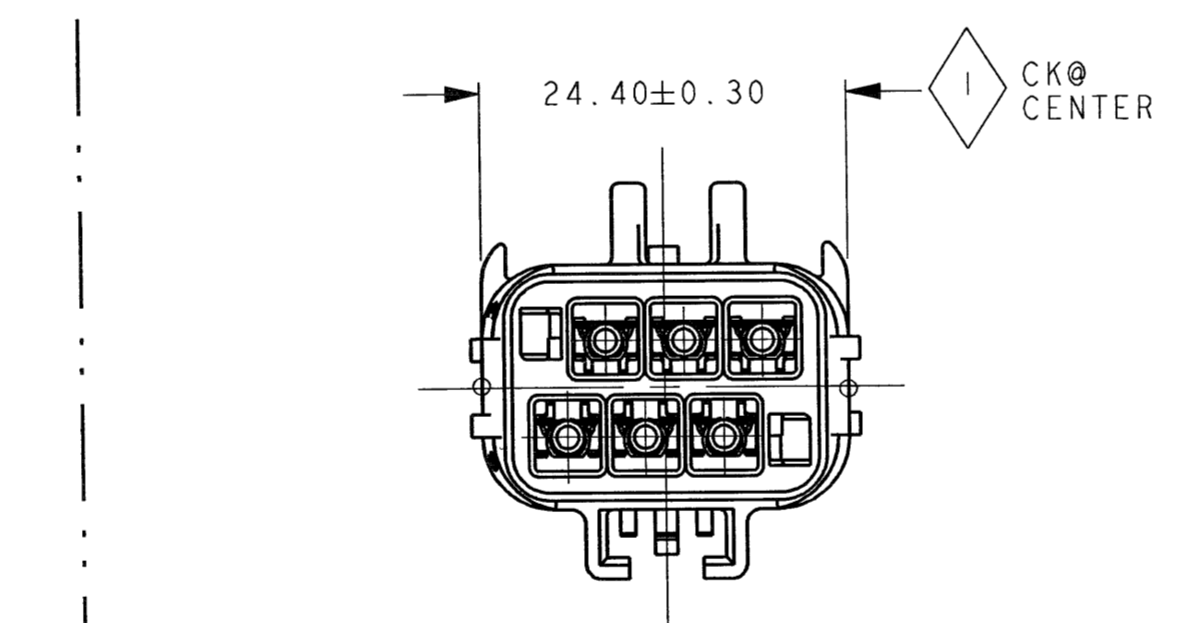
PARTIAL SECTION E-E



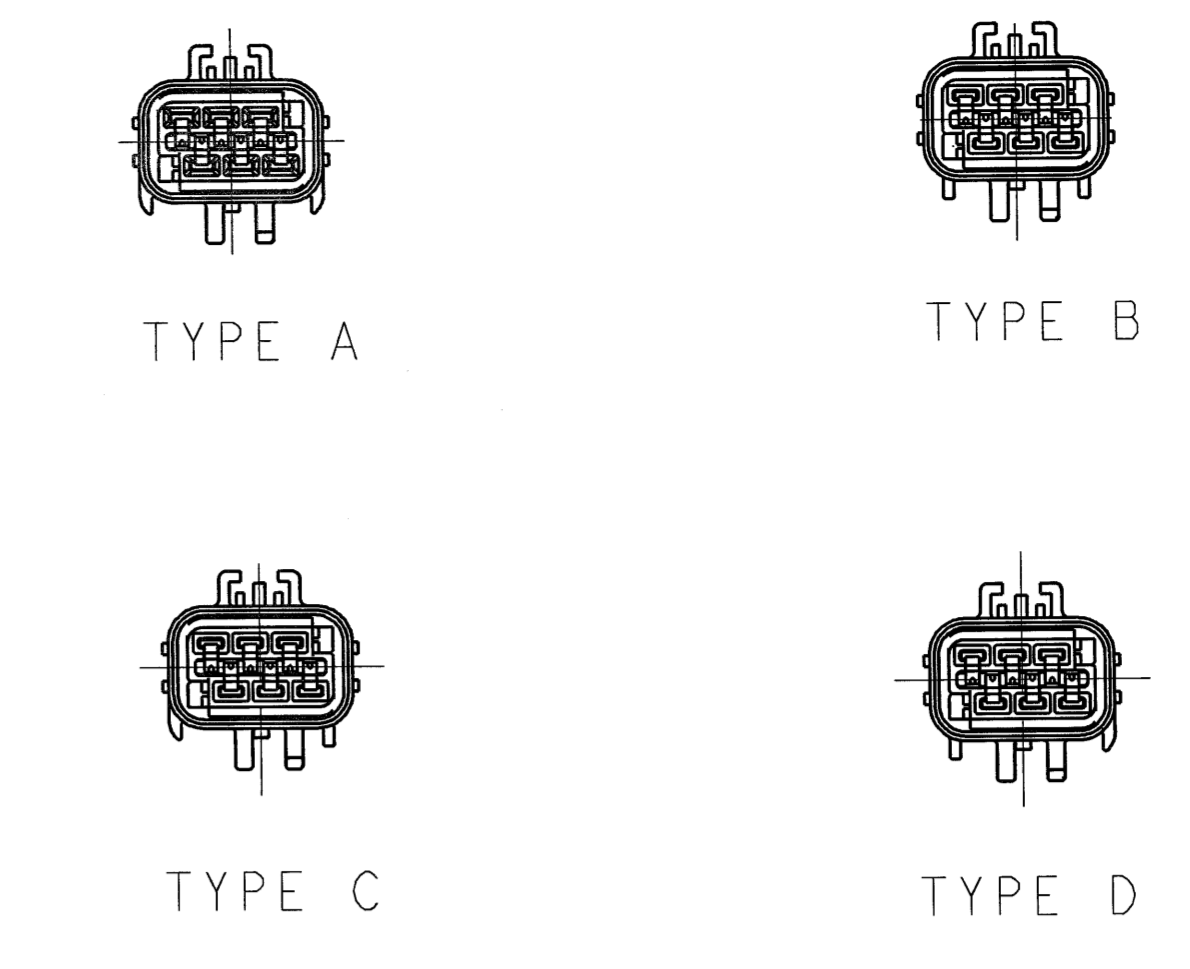
SECTION D-D
FOR REFERENCE ONLY
INSULATOR VIEWS



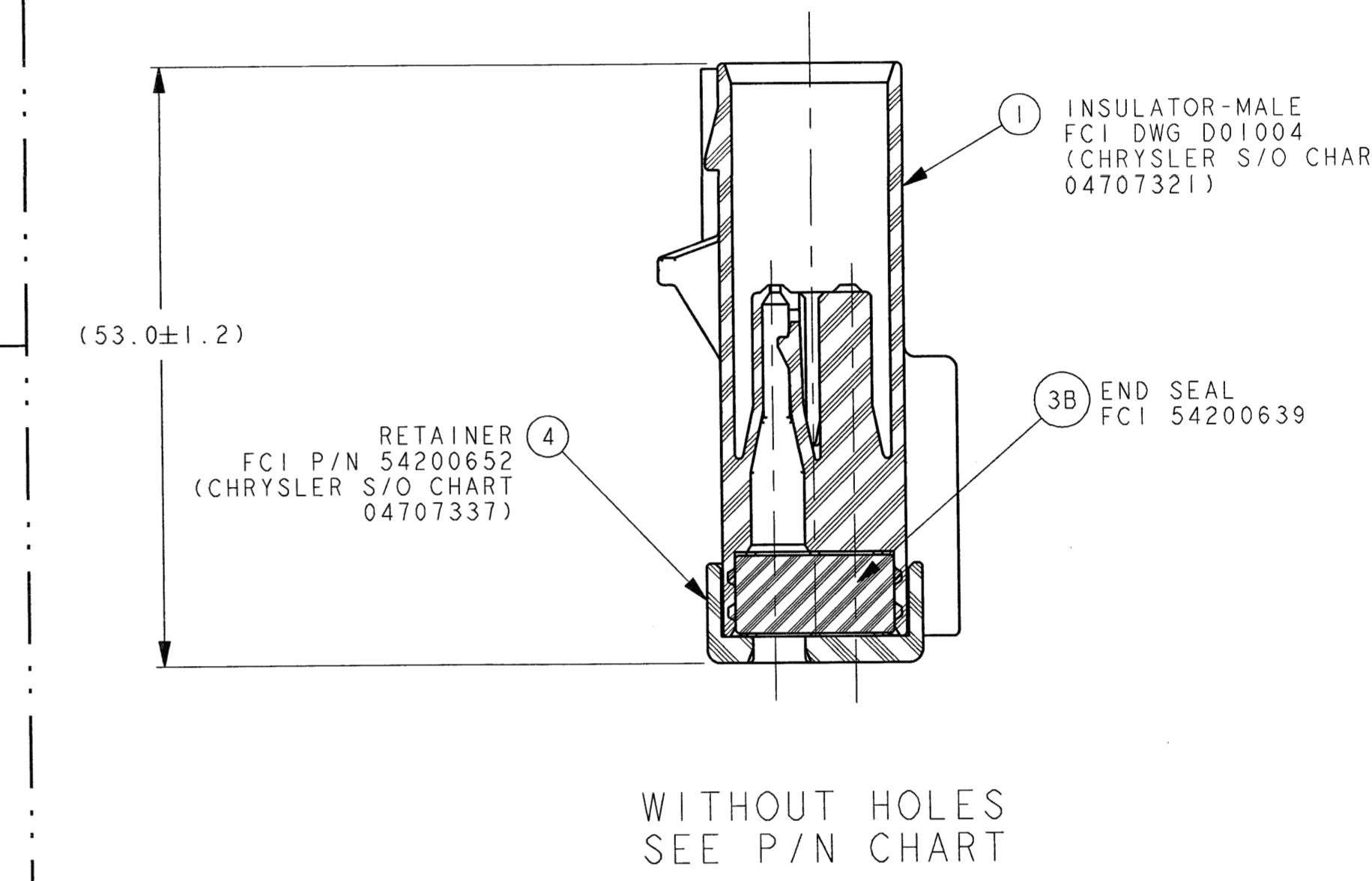
SECTION B-B



UNSEALED ASSEMBLY VIEWS
SEE P/N CHART



POLARIZATION OPTIONS
FULL SIZE



WITHOUT HOLES
SEE P/N CHART

- NOTES:
- 1 QUALITY ASSURANCE REQUIREMENTS PER CHRYSLER PS-7300: 1 DIMENSIONAL OR PROCESS PARAMETERS PERMISSIBLE
 - 2 ENGINEERING APPROVAL OF SUPPLIER SAMPLES IS REQUIRED PRIOR TO AUTHORIZATION OF PART PRODUCTION
 - 3 CHANGES IN DESIGN COMPOSITION OR PROCESSING FROM THE PART PREVIOUSLY APPROVED FOR PART PRODUCTION REQUIRES PRIOR ENGINEERING APPROVAL
 - 4 WIRING FABRICATORS MUST PURCHASE FROM SOURCES SHOWN
 - 5 ALL THE SEALED CONNECTOR APPLICATIONS MUST BE USED WITH CHRYSLER WIRE SPEC MS-8288 OR MS-9502 THIN WALL X-LINK 20, 18, 16, 14 & 12 GAGE WIRES ONLY UNLESS OTHERWISE SPECIFIED. SEE CHART (WIRE INSULATIONS Ø1.70 MIN TO Ø3.35 MAX)
 - 6 ALL NON-SEALED APPLICATIONS MAY BE USED WITH ANY WIRE INSULATION 22 GAGE THRU 10 GAGE (EXCEPT AS NOTED). PROVIDING THAT A TERMINAL GRIP FOR THAT CORE/INSULATION COMBINATION IS SHOWN ON THE MALE TERMINAL DRAWING
 - NOTE: MAX. INSULATION CRIMP WIDTH = 4.50
MAX. INSULATION CRIMP HEIGHT = 4.50
MAX. INSULATION CRIMP DIA. = 4.09 (10 GA THIN WALL)
 - 7 USE WITH CAVITY PLUG FCI P/N 54200005 (CHRYSLER P/N 56038308). WHEN REQ'D USE WITH DOUBLE X-MAS TREE CLIP CHRYSLER P/N 04707091 WHEN REQUIRED USE WITH DOUBLE X-MAS TREE CLIP CHRYSLER P/N 04625797 WHEN REQUIRED USE WITH 2.80MM APEX MALE TERM PER C15005-CUST SYM ABOUT CENTERLINE FOR 180° ORIENTATION
 - 8 DIRECT CONNECT FCI DRAWING NO. G36006 (CHRYSLER 04707300)
 - 9 TEST METHOD PER PERFORMANCE SPEC SAE/JUSCAR-2 REV.3. CONNECTOR ENGAGE & DISENGAGE WITH FEMALE LATCH DEPRESSED FORCE NOT TO EXCEED 90 N FOR THIS SYSTEM
 - WEDGE SEATING FORCES - 125 N. MAX
X-MAS TREE CLIP INSERTION FORCES - 75N. MAX
 - 10 SUPPLIER, MOLD & CAVITY I.D. SIGNIFIES TOOL OWNERSHIP, FOR REFERENCE
 - 11 ANNUAL QUALITY REQUIREMENTS:
IT IS PERMISSIBLE TO PERFORM CONTINUOUS CONFORMANCE PER FCI SPECIFICATION #840-001 INSTEAD OF ANNUAL LAYOUT & ANNUAL PV REQUIREMENTS OF QS-9000 SECTION 2 & SAE/JUSCAR-2 REV.3
 - ALL NON-REFERENCE DIMENSIONS ARE REQUIRED
 - USE INDEX A, BLACK SEALED AND UNSEALED FOR ALL AFFECTED INSULATOR CAVITIES
 - CURRENT PRODUCTION TOOLING
 - POINT OF IAST RUN
 - SERVICE TOOLING GUIDE INFORMATION PER APEX TRAINING MANUAL
 - 12 MUST CONFORM TO THE FOLLOWING CHRYSLER/YNA STANDARDS:
SAE/JUSCAR-2 REV. 3
PS-7300 QUALITY ASSURANCE (CHRYSLER)
MS-9502 SEAL APPL. 150 °C
MS-8288 SEAL APPL. 125 °C
PS-9227 DATA EXCHANGE (CHRYSLER). (G009-7 YNA)
PS-10052 INFORMATION SECURITY (CHRYSLER)
 - 13 THIS DRAWING (H59014) REPLACES CHRYSLER DRAWING NUMBER 04707322 LEVEL "F" DATED 5-22-01 CHRYSLER DRAWING IS FOR REFERENCE ONLY FOR PREVIOUS CHANGES
 - 14 P/N 56042638AA IS SAME AS 04608908AA AND THEREFORE REPLACED BY IT (04608908AA)

| D | NATURAL | UNSEALED | 54200607 | 04707335 | 54200603N | N/A |
|------------|---------|-----------------|----------------|----------------|--|------------|
| C | DK GREY | UNSEALED | 54200607 | 04707335 | 54200603 | 04707316 |
| | | SEALED | 54200615 | 04707331 | 54200611N | N/A |
| | | SEALED | 54200615 | 04707331 | 54200611 | 04707312 |
| | | SEALED | 54200615 | 04707331 | 54200611 | 04707312 |
| B | LT GREY | UNSEALED | 54200605 | 04707333 | 54200602N | N/A |
| | | UNSEALED | 54200606 | 04707334 | 54200602 | 04707315 |
| | | SEALED | 54200613 | 04707329 | 54200609N | N/A |
| | | SEALED | 54200613 | 04707329 | 54200609 | 04707310 |
| A | BLACK | UNSEALED | 54200604 | 04707332 | 54200600N | N/A |
| | | UNSEALED | 54200604 | 04707332 | 54200600 | 04707313 |
| | | SEALED | 54200612 | 04707328 | 54200626N | N/A |
| | | SEALED | 54200612 | 04707328 | 54200626 | 56042583AA |
| | | SEALED | 54200612 | 04707328 | 54200608N | N/A |
| | | SEALED | 54200612 | 04707328 | 54200608 | 04707309 |
| | | SEALED | 54200663 | 04608908AA | 54200608 | 04707309 |
| | | SEALED | 54200661 | 04759912AA | 54200600N | N/A |
| INDEX TYPE | COLOR | SEALED/UNSEALED | FCI (CHRYSLER) | FCI (CHRYSLER) | MATING ASSEMBLY PART NUMBER FOR REFERENCE ONLY | |

| FCI P/N'S | CHRYSLER P/N'S | UNSEALED | SEALED |
|-----------|----------------|----------|--------|
| 54200604 | 04707332 | | |
| 54200605 | 04707333 | | |
| 54200606 | 04707334 | | |
| 54200607 | 04707335 | | |
| 54200663 | 04608908AA | | |
| 54200612 | 04707328 | | |
| 54200613 | 04707329 | | |
| 54200614 | 04707330 | | |
| 54200615 | 04707331 | | |
| 54200661 | 04759912AA | | |

| REQUIRED | REQUIRED | ITEM | FCI P/N | CHRYSLER P/N | PART NAME / COLOR - MATERIAL | | | | |
|----------|----------|------|----------|--------------|---|---|---|---|-------------------------|
| 1 | 1 | 1 | 54200634 | 04707323 | INSULATOR-MALE INDEX A / BLK-NYLON 66 | | | | |
| 1 | 1 | 1 | 54200635 | 04707324 | INSULATOR-MALE INDEX B / LT GRY - NYLON 66 | | | | |
| 1 | 1 | 1 | 54200636 | 04707325 | INSULATOR-MALE INDEX C / DK GRY - NYLON 66 | | | | |
| 1 | 1 | 1 | 54200637 | 04707326 | INSULATOR-MALE INDEX D / NAT - NYLON 66 | | | | |
| 1 | 1 | 1 | 54200647 | 04707327 | WEDGE-MALE / RED - NYLON 66 | | | | |
| 1 | 1 | 1 | 54200656 | 04707307 | END SEAL / DK BLUE - SILICONE | | | | |
| 1 | 1 | 1 | 54200658 | N/A | END SEAL / LT BLUE - SILICONE | | | | |
| 1 | 1 | 1 | 54200639 | (4001006) | END SEAL / BRT ORANGE (NO HOLES) - SILICONE | | | | |
| 1 | 1 | 1 | 54200652 | 04707337 | RETAINER / BLACK - NYLON 66 | | | | |
| 3 | 3 | 3 | 3 | 3 | CONNECTOR ASSEMBLY TEMPERATURE CLASS PER SAE/JUSCAR-2 REV.5 | | | | |
| A | A | A | C | F | C | B | B | D | PART CHANGE LEVEL (PCL) |

FCI - FRAMATOME CONNECTORS INTERNATIONAL
YNA - YAZAKI NORTH AMERICA

* VENDOR P/N
** CIRCUIT # 2 & 5 WITH 12 GAGE ONLY & #S 1, 3, 4 & 6 WITH 20 TO 14 GAGE ONLY

| REV | DATE | BY | CHKD | APPD | DESCRIPTION |
|-----|----------|----|------|------|--|
| 1 | 03/31/08 | F2 | F8 | | USE WITH 2.80MM APEX MALE TERMINAL NOTE ADDED FOR IAST ORIENTATION |
| 2 | 03/23/08 | F1 | F1 | | PROGRAM ON FCI TITLE BLOCK |
| 3 | 03/23/08 | F1 | F1 | | ALL DIMENSIONS UNLESS OTHERWISE SPECIFIED ARE IN MILLIMETERS |
| 4 | 03/23/08 | F1 | F1 | | CHANGE LEVEL "F" DATED 05-22-01 |
| 5 | 03/23/08 | F1 | F1 | | REPLACES CHRYSLER DRAWING NUMBER 04707322 LEVEL "F" DATED 05-22-01 |
| 6 | 03/23/08 | F1 | F1 | | REPLACES CHRYSLER DRAWING NUMBER 04707322 LEVEL "F" DATED 05-22-01 |
| 7 | 03/23/08 | F1 | F1 | | REPLACES CHRYSLER DRAWING NUMBER 04707322 LEVEL "F" DATED 05-22-01 |
| 8 | 03/23/08 | F1 | F1 | | REPLACES CHRYSLER DRAWING NUMBER 04707322 LEVEL "F" DATED 05-22-01 |
| 9 | 03/23/08 | F1 | F1 | | REPLACES CHRYSLER DRAWING NUMBER 04707322 LEVEL "F" DATED 05-22-01 |
| 10 | 03/23/08 | F1 | F1 | | REPLACES CHRYSLER DRAWING NUMBER 04707322 LEVEL "F" DATED 05-22-01 |
| 11 | 03/23/08 | F1 | F1 | | REPLACES CHRYSLER DRAWING NUMBER 04707322 LEVEL "F" DATED 05-22-01 |
| 12 | 03/23/08 | F1 | F1 | | REPLACES CHRYSLER DRAWING NUMBER 04707322 LEVEL "F" DATED 05-22-01 |
| 13 | 03/23/08 | F1 | F1 | | REPLACES CHRYSLER DRAWING NUMBER 04707322 LEVEL "F" DATED 05-22-01 |
| 14 | 03/23/08 | F1 | F1 | | REPLACES CHRYSLER DRAWING NUMBER 04707322 LEVEL "F" DATED 05-22-01 |
| 15 | 03/23/08 | F1 | F1 | | REPLACES CHRYSLER DRAWING NUMBER 04707322 LEVEL "F" DATED 05-22-01 |
| 16 | 03/23/08 | F1 | F1 | | REPLACES CHRYSLER DRAWING NUMBER 04707322 LEVEL "F" DATED 05-22-01 |
| 17 | 03/23/08 | F1 | F1 | | REPLACES CHRYSLER DRAWING NUMBER 04707322 LEVEL "F" DATED 05-22-01 |
| 18 | 03/23/08 | F1 | F1 | | REPLACES CHRYSLER DRAWING NUMBER 04707322 LEVEL "F" DATED 05-22-01 |
| 19 | 03/23/08 | F1 | F1 | | REPLACES CHRYSLER DRAWING NUMBER 04707322 LEVEL "F" DATED 05-22-01 |
| 20 | 03/23/08 | F1 | F1 | | REPLACES CHRYSLER DRAWING NUMBER 04707322 LEVEL "F" DATED 05-22-01 |
| 21 | 03/23/08 | F1 | F1 | | REPLACES CHRYSLER DRAWING NUMBER 04707322 LEVEL "F" DATED 05-22-01 |
| 22 | 03/23/08 | F1 | F1 | | REPLACES CHRYSLER DRAWING NUMBER 04707322 LEVEL "F" DATED 05-22-01 |
| 23 | 03/23/08 | F1 | F1 | | REPLACES CHRYSLER DRAWING NUMBER 04707322 LEVEL "F" DATED 05-22-01 |

X-ON Electronics

Largest Supplier of Electrical and Electronic Components

Click to view similar products for [Automotive Connectors](#) category:

Click to view products by [APTIV](#) manufacturer:

Other Similar products are found below :

[003-018-000](#) [60403001](#) [60993906-B](#) [629515004020001](#) [M902-2131](#) [M902-2161](#) [72.330.1035.1](#) [73.353.4028.0](#) [F119300-B](#) [F166900](#)
[F258300-B](#) [F358300-B](#) [F407400](#) [F444110](#) [F487000](#) [F509500B-B](#) [827153-1](#) [8N1515-32-24P](#) [9-1326729-8](#) [925474-1](#) [928905-1](#) [964562-4](#)
[968782-1](#) [GT17SA-8DS-HU](#) [98891-1012](#) [98947-1016](#) [12004475-L](#) [12010290](#) [12010309-B](#) [12015454](#) [12020219-B](#) [12020308](#) [12041318-B](#)
[12052225-L](#) [12052466](#) [12059125](#) [12064869](#) [12004327-B](#) [12010503-B](#) [12015308](#) [12015384](#) [12015909](#) [1-21030-1](#) [12041254](#) [12041318](#)
[12047946-B](#) [12047957](#) [12047957-L](#) [12059473](#) [12066261](#)