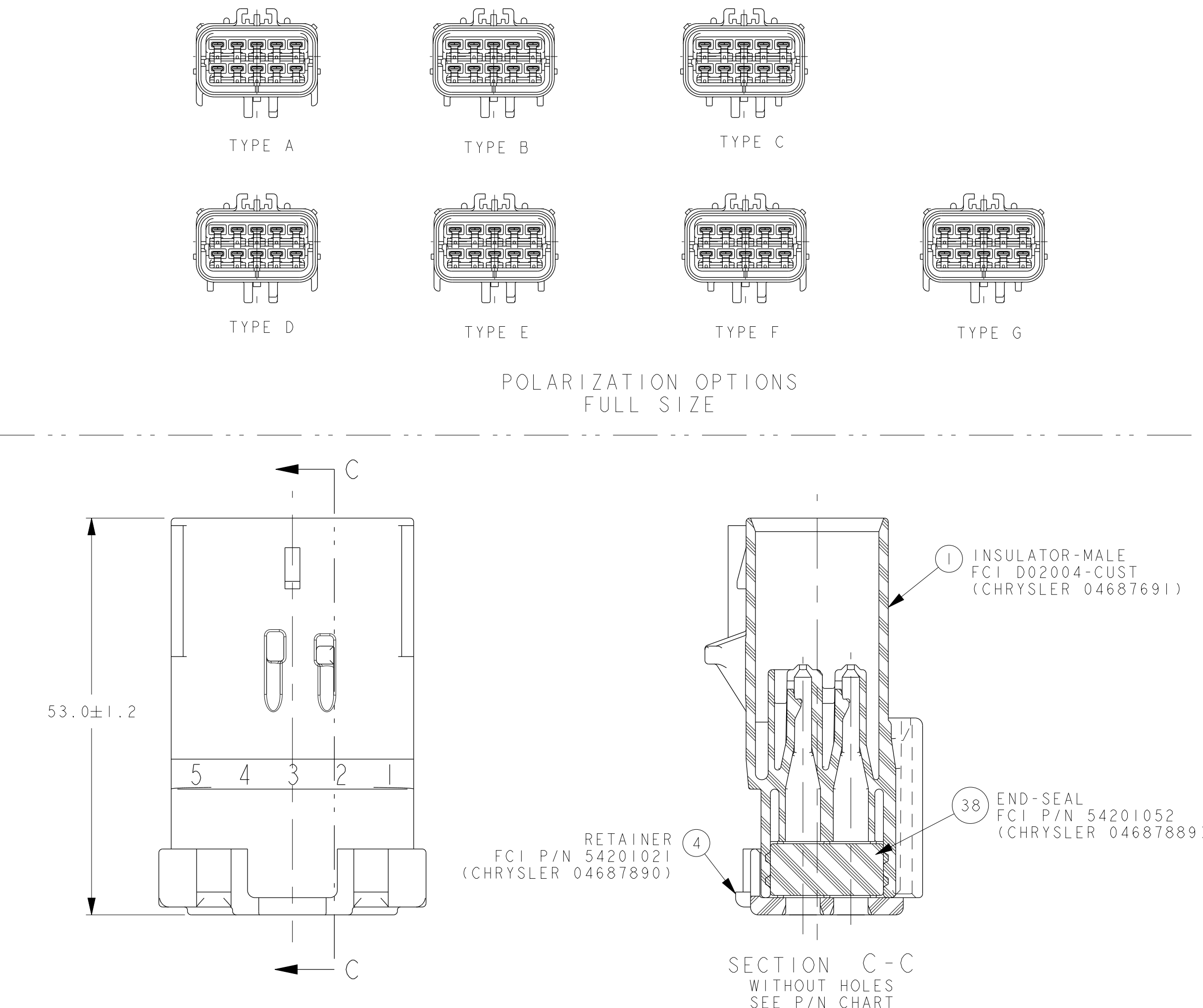
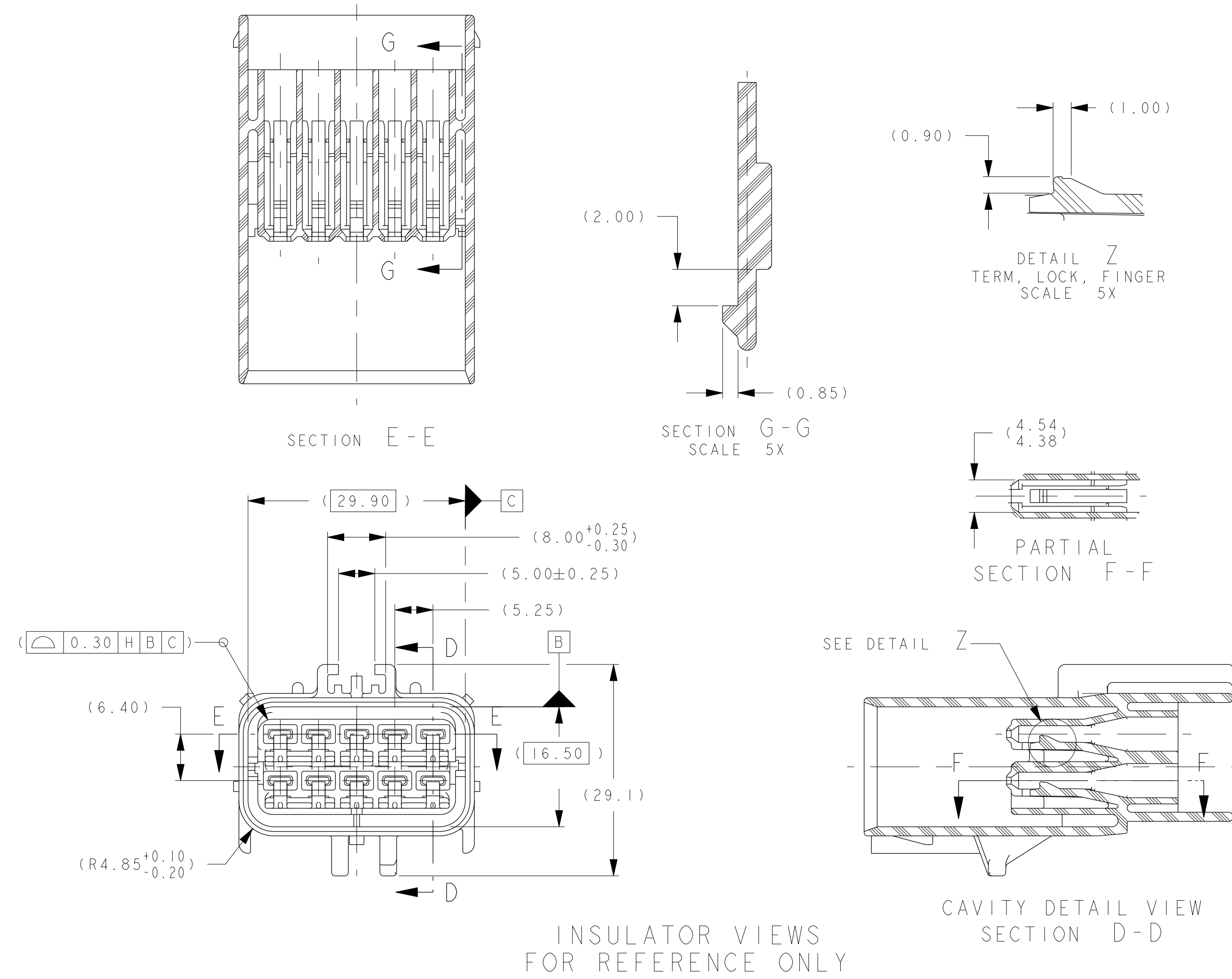
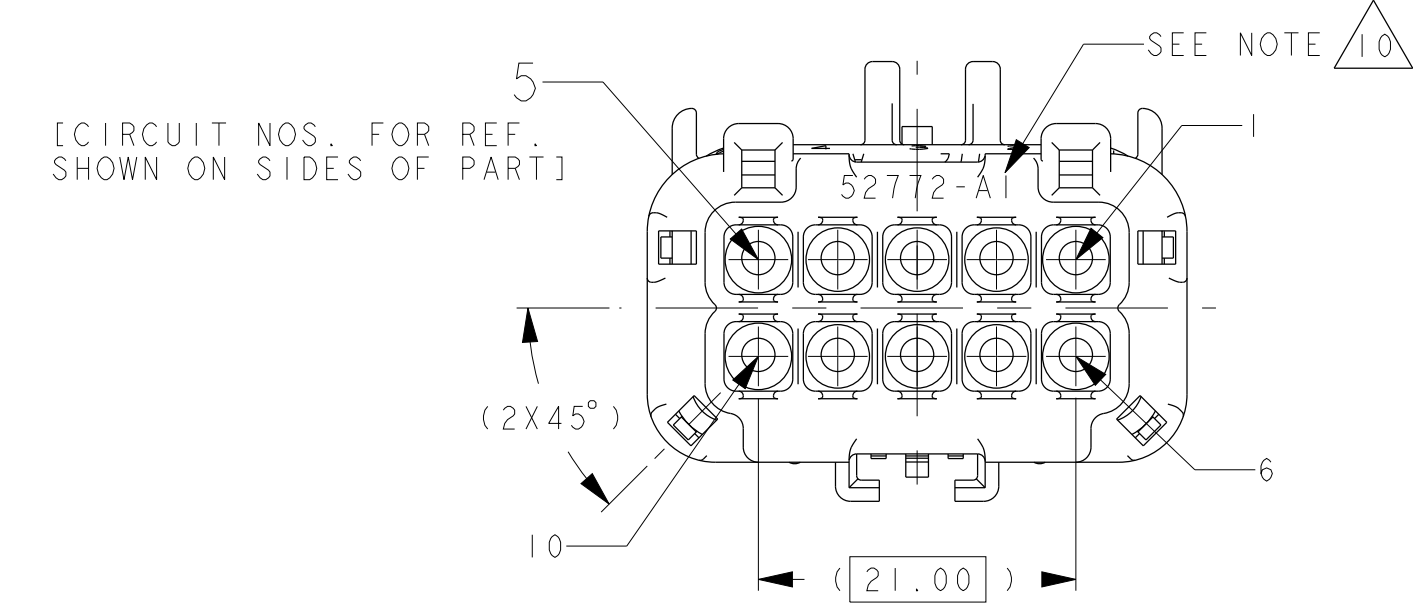
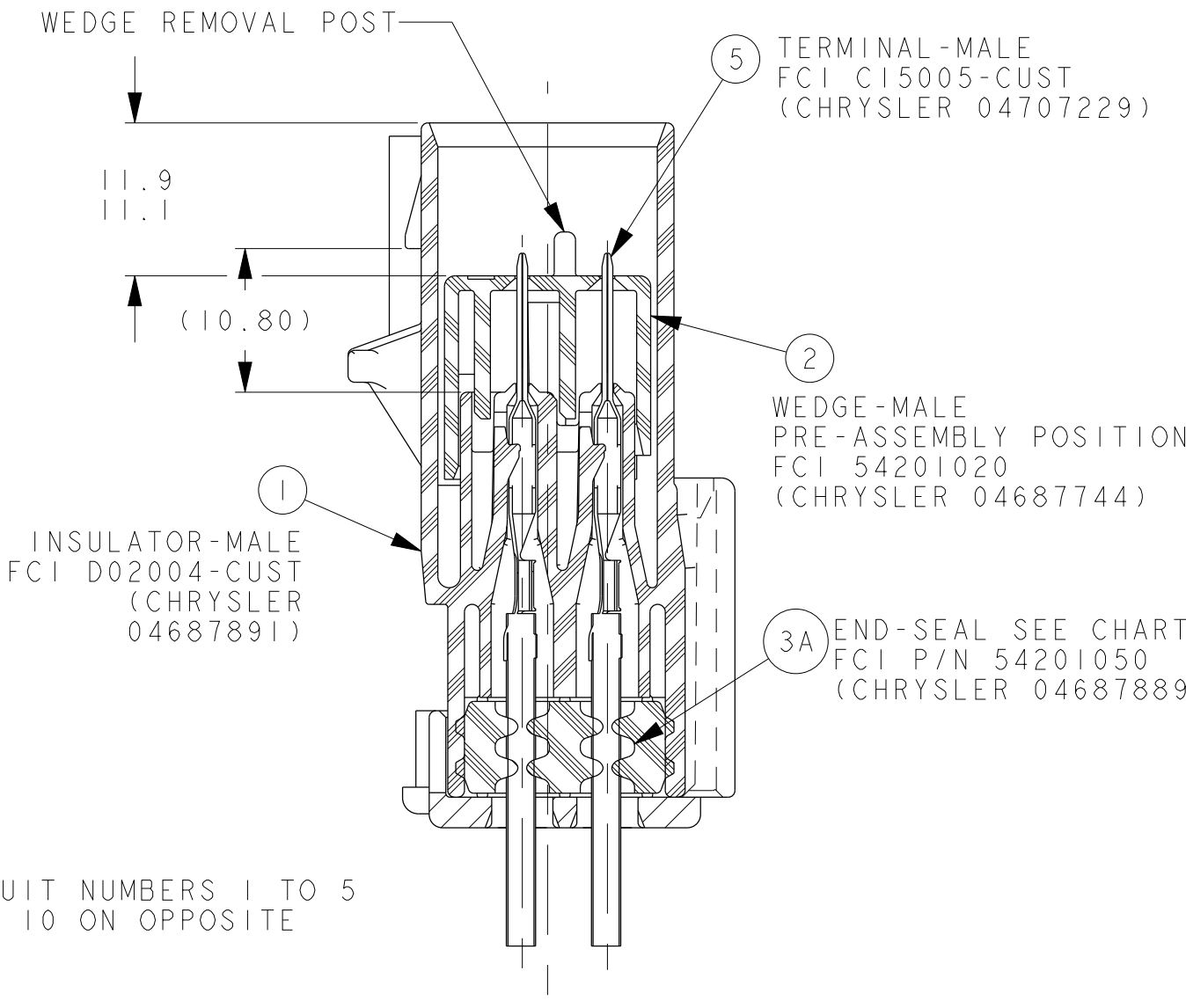
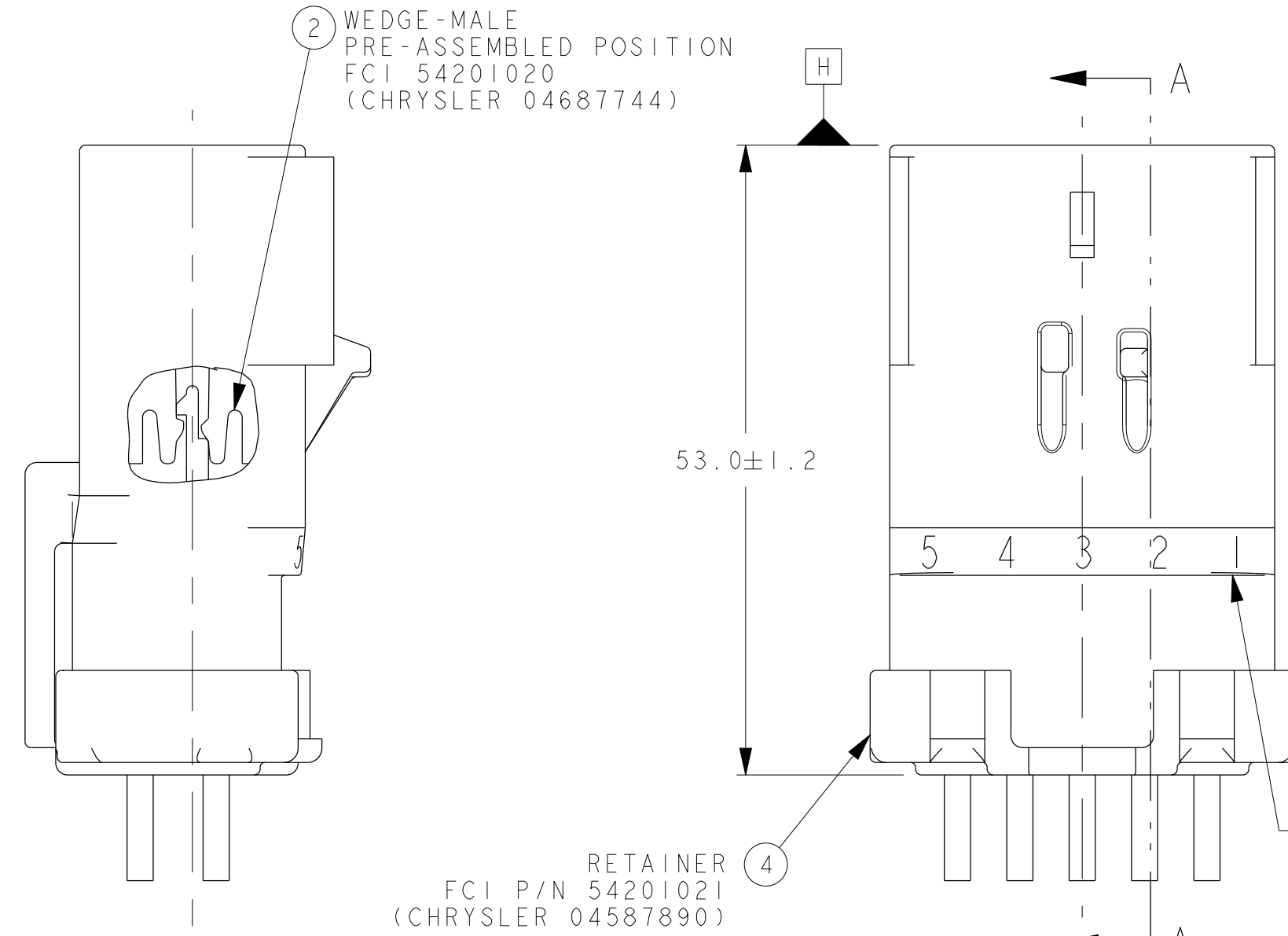
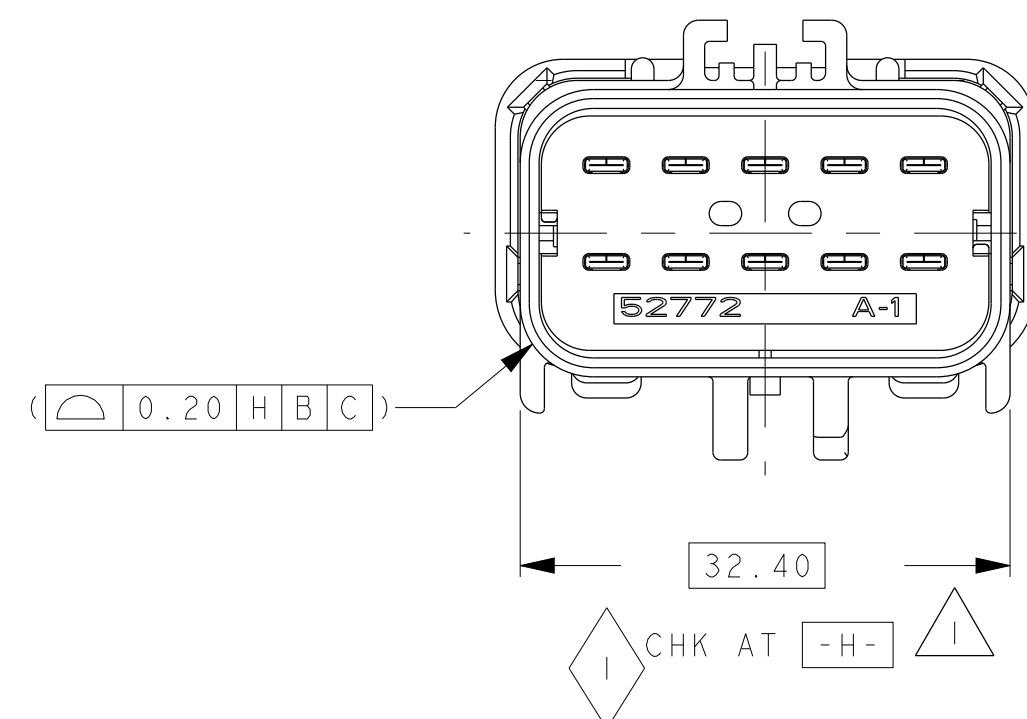


LAST 6 DIGITS OF P/N & PART CHANGE LEVEL (PCL), MFG. DAILY DATE CODE & ASSY MACHINE NO. LETTERING MUST BE LEGIBLE. OPTIONAL

PARTIAL SIDE VIEW



INDEX TYPE	COLOR	SEALED/UNSEALED	FCI (CHRYSLER)	YNA	FCI (CHRYSLER)	YNA	FCI (CHRYSLER)	YNA
G	LT BROWN	SEALED	54201042	N/A	N/A	54201043N	N/A	N/A
		SEALED	54201042	04868047AA	N/A	54201043	04868049AA	N/A
		SEALED	DIRECT CONNECT APPLICATION		*54201063	N/A	N/A	N/A
F	AQUA	UNSEALED	DIRECT CONNECT APPLICATION		54201005M	N/A	N/A	N/A
		UNSEALED	DIRECT CONNECT APPLICATION		54201005	04687905	7283-4809-90	N/A
		SEALED	DIRECT CONNECT APPLICATION		54201015N	N/A	N/A	N/A
E	DK GRN	SEALED	DIRECT CONNECT APPLICATION		54201015	04687899	7283-4806-90	N/A
		UNSEALED	DIRECT CONNECT APPLICATION		54201003N	N/A	N/A	N/A
		UNSEALED	DIRECT CONNECT APPLICATION		54201003	04687904	7283-4808-60	N/A
D	ORANGE	SEALED	DIRECT CONNECT APPLICATION		54201013N	N/A	N/A	N/A
		SEALED	DIRECT CONNECT APPLICATION		54201013	04687898	7283-4805-60	N/A
		UNSEALED	DIRECT CONNECT APPLICATION		54201004N	N/A	N/A	N/A
C	LT GRN	UNSEALED	DIRECT CONNECT APPLICATION		54201004	04687903	7283-4807-50	N/A
		SEALED	DIRECT CONNECT APPLICATION		54201014N	N/A	N/A	N/A
		SEALED	DIRECT CONNECT APPLICATION		54201014	04687897	7283-4804-50	N/A
B	LT GREY	SEALED	DIRECT CONNECT APPLICATION		54201011N	N/A	N/A	N/A
		SEALED	DIRECT CONNECT APPLICATION		54201011	04801117	7229-2829-40	N/A
		SEALED	DIRECT CONNECT APPLICATION		*54201023N	N/A	N/A	N/A
A	BLACK	SEALED	DIRECT CONNECT APPLICATION		*54201023	04801112	7223-1609-40	N/A
		UNSEALED	54201008	N/A	N/A	54201002N	N/A	N/A
		UNSEALED	54201008	04687911	7222-1009-60	54201002	04687902	7223-1109-60
A	BLACK	SEALED	54201018	N/A	N/A	54201012N	N/A	N/A
		SEALED	54201018	04687908	N/A	54201012	04687896	7283-4803-60
		SEALED	DIRECT CONNECT APPLICATION		*54201062	N/A	N/A	N/A
A	BLACK	UNSEALED	54201007	N/A	N/A	54201001N	N/A	N/A
		UNSEALED	54201007	04687910	N/A	54201001	04687901	7283-4802-40
		SEALED	54201017	N/A	N/A	54201010N	N/A	N/A
A	BLACK	SEALED	54201017	04687907	7282-4605-40	54201010	04687895	7283-4605-40
		SEALED	54201024	04688875	N/A	54201010	04687895	7283-4605-40
		UNSEALED	54201006	N/A	N/A	54201000N	N/A	N/A
A	BLACK	UNSEALED	54201006	04687909	N/A	54201000	04687900	7283-4606-30
		SEALED	54201016	04687906	7222-7406-30	54201009	04687894	7223-1605-30
		SEALED	54201016	04687906	7222-7406-30	*54201022N	04707443	7283-4801-30
A	BLACK	SEALED	54201016	04687906	7222-7406-30	*54201054	04759589AA	7283-4901-30
		SEALED	54201058	56045040AA	N/A	*54201054	04759589AA	7283-4901-30
		SEALED	54201016	04687906	7222-7406-30	54201056N	N/A	7283-4608-30
INDEX TYPE	COLOR	SEALED	DIRECT CONNECT APPLICATION		54201051N	04707404	N/A	N/A
		UNSEALED	DIRECT CONNECT APPLICATION		54201051	04707404	N/A	N/A

UNSEALED		SEALED		YNA P/N'S		FCI P/N'S		CHRYSLER P/N'S	
54201006	04687909	54201016	04687906	54201016	04687906	54201016	04687906	54201016	04687906
54201007	04687910	54201017	04687907	54201017	04687907	54201017	04687907	54201017	04687907
54201008	04687911	54201018	04687908	54201018	04687908	54201018	04687908	54201018	04687908
54201009	04687912	54201019	04687909	54201019	04687909	54201019	04687909	54201019	04687909
54201010	04687913	54201020	04687910	54201020	04687910	54201020	04687910	54201020	04687910
54201011	04687914	54201021	04687911	54201021	04687911	54201021	04687911	54201021	04687911
54201012	04687915	54201022	04687912	54201022	04687912	54201022	04687912	54201022	04687912
54201013	04687916	54201023	04687913	54201023	04687913	54201023	04687913	54201023	04687913
54201014	04687917	54201024	04687914	54201024	04687914	54201024	04687914	54201024	04687914
54201015	04687918	54201025	04687915	54201025	04687915	54201025	04687915	54201025	04687915
54201016	04687919	54201026	04687916	54201026	04687916	54201026	04687916	54201026	04687916
54201017	04687920	54201027	04687917	54201027	04687917	54201027	04687917	54201027	04687917
54201018	04687921	54201028	04687918	54201028	04687918	54201028	04687918	54201028	04687918
54201019	04687922	54201029	04687919	54201029	04687919	54201029	04687919	54201029	04687919
54201020	04687923	54201030	04687920	54201030	04687920	54201030	04687920	54201030	04687920
54201021	04687924	54201031	04687921	54201031	04687921	54201031	04687921	54201031	04687921
54201022	04687925	54201032	04687922	54201032	04687922	54201032	04687922	54201032	04687922
54201023	04687926	54201033	04687923	54201033	04687923	54201033	04687923	54201033	04687923
54201024	04687927	54201034	04687924	54201034	04687924	54201034	04687924	54201034	04687924
54201025	04687928	54201035	04687925	54201035	04687925	54201035	04687925	54201035	04687925
54201026	04687929	54201036	04687926	54201036	04687926	54201036	04687926	54201036	04687926
54201027	04687930	54201037	04687927	54201037	04687927	54201037	04687927	54201037	04687927
54201028	04687931	54201038	04687928	54201038	04687928	54201038	04687928	54201038	04687928
54201029	04687932	54201039	04687929	54201039	04687929	54201039	04687929	54201039	04687929
54201030	04687933	54201040	04687930	54201040	04687930	54201040	04687930	54201040	04687930
54201031	04687934	54201041	04687931	54201041	04687931	54201041	04687931	54201041	04687931
54201032	04687935	54201042	04687932	54201042	04687932	54201042	04687932	54201042	04687932
54201033	04687936	54201043	04687933	54201043	04687933	54201043	04687933	54201043	04687933
54201034	04687937	54201044	04687934	54201044	04687934	54201044	04687934	54201044	04687934
54201035	04687938	54201045	04687935	54201045	04687935	54201045	04687935	54201045	04687935
54201036	04687939	54201046	04687936	54201046	04687936	54201046	04687936	54201046	04687936
54201037	04687940	54201047	04687937	54201047	04687937	54201047	04687937	54201047	04687937
54201038	04687941	54201048	04687938	54201048	04687938	54201048	04687938	54201048	04687938
54201039	04687942	54201049	04687939	54201049	04687939	54201049	04687939	54201049	04687939
54201040	04687943	54201050	04687940	54201050	04687940	54201050	04687940	54201050	04687940
54201041	04687944	54201051	04687941	54201051	04687941	54201051	04687941	54201051	04687941
54201042	04687945	54201052	04687942	54201052	04687942	54201052	04687942	54201052	04687942
54201043	04687946	54201053	04687943	54201053	04687943	54201053	04687943	54201053	04687943
54201044	04687947	54201054	04687944	54201054	04687944	54201054	04687944	54201054	04687944
54201045	04687948	54201055	04687945	54201055	04687945	54201055	04687945	54201055	04687945
54201046	04687949	54201056	04687946	54201056	04687946	54201056	04687946	54201056	04687946
54201047	04687950	54201057	04687947	54201057	04687947	54201057	04687947	54201057	04687947
54201048	04687951	54201058	04687948	54201058	04687948	54201058	04687948	54201058	04687948
54201049	04687952	54201059	04687949	54201059	04687949	54201059	04687949	54201059	04687949
54201050	04687953	54201060	04687950	54201060	04687950	54201060	04687950	54201060	04687950

- NOTES:
- QUALITY ASSURANCE REQUIREMENTS PER CHRYSLER PS-7300: 1 SPC DATA REQUIRED
 - ENGINEERING APPROVAL OF SUPPLIER SAMPLES IS REQUIRED PRIOR TO AUTHORIZATION OF PART PRODUCTION
 - CHANGES IN DESIGN COMPOSITION OR PROCESSING FROM THE PART PREVIOUSLY APPROVED FOR PART PRODUCTION REQUIRES PRIOR ENGINEERING APPROVAL
 - WIRING FABRICATORS MUST PURCHASE FROM SOURCES SHOWN
 - ALL THE SEALED CONNECTOR APPLICATIONS MUST BE USED WITH CHRYSLER WIRE SPEC. MS-8288 OR MS-9502 THIN WALL X-LINK 20, 18, 16, 14, & 12 GAGE WIRES ONLY UNLESS OTHERWISE SPECIFIED (WIRE INSULATIONS Ø1.70 MIN TO Ø3.35 MAX) ISO THINWALL EQUIVALENTS PERMISSIBLE
 - ALL NON-SEALED APPLICATIONS MAY BE USED WITH ANY WIRE INSULATION 22 GAGE THRU 10 GAGE (EXCEPT AS NOTED) PROVIDING THAT A TERMINAL GRIP FOR THAT CORE/INSULATION COMBINATION IS SHOWN ON THE MALE TERMINAL DRAWING ISO THINWALL EQUIVALENTS PERMISSIBLE
 - MAX. INSULATION CRIMP WIDTH = 4.50
 - MAX. INSULATION CRIMP HEIGHT = 4.50
 - MAX. INSULATION DIA. = 4.09 (10 GA THIN WALL)
 - USE WITH FOLLOWING APPLICABLE COMPONENTS AS NOTED:
 - CAVITY PLUS FCI P/N 54200005 (CHRYSLER P/N 56038308)
 - DOUBLE X-MAS TREE CLIP CHRYSLER P/N 04707091
 - SINGLE X-MAS TREE CLIP CHRYSLER P/N 04625797
 - DOUBLE X-MAS TREE CLIP WITH FORWARD STOP FCI P/N 54200010
 - 2.80MM APEX MALE TERM C15005-CUST SYM. ABOUT CENTERLINE FOR 180° ORIENTATION
 - DIRECT CONNECT INTERFACE PER FCI G3610 (CHRYSLER 04707028)
 - TEST METHOD PER CHRYSLER PERFORMANCE SPEC# PF-9600, CONNECTOR ENGAGE & DISENGAGE WITH LATCH DEPRESSED FORCE NOT TO EXCEED 120N. FOR THIS SYSTEM
 - WEDGE SEATING FORCES - 100 N. MAX
 - X-MAS TREE CLIP INSERTION FORCES - 75 N. MAX
 - SUPPLIER, MOLD & CAVITY I.D. SIGNIFIES TOOL OWNERSHIP, FOR REFERENCE
 - ANNUAL QUALITY REQUIREMENTS:
 - IT IS PERMISSIBLE TO PERFORM ANNUAL CONTINUOUS CONFORMANCE PER FCI SPECIFICATION 800A-001 INSTEAD OF ANNUAL LAYOUT & ANNUAL PV REQUIREMENTS OF QS-9000 SECTION 2 & SAE/USCAR-2 REV 5
 - ALL NON-REFERENCE DIMENSIONS ARE REQUIRED
 - USE INDEX A, BLACK SEALED AND UNSEALED FOR ALL AFFECTED INSULATOR CAVITIES
 - CURRENT PRODUCTION TOOLING
 - POINT OF LAST RUN
 - SERVICE TOOLING GUIDE INFORMATION PER APEX TRAINING MANUAL MUST CONFORM TO THE FOLLOWING CHRYSLER /YNA STANDARDS:
 - PF-9600 PERFORMANCE (CHRYSLER) EXCEPT AS NOTED ABOVE
 - PS-7300 QUALITY ASSURANCE (CHRYSLER)
 - MS-9502 SEAL APPL. 150° C
 - MS-8288 SEDL APPL. 125° C
 - PS-9227 DATA EXCHANGE (CHRYSLER), (GD09-7 YNA)
 - PS-10052 INFORMATION SECURITY (CHRYSLER)
 - THIS DRAWING (H59015) REPLACES CHRYSLER DRAWING 04687873 LEVEL "N" CHRYSLER DRAWING NUMBER IS FOR REFERENCE ONLY (NOT AVAILABLE)

12-00659	ALL	REVISED & REDRAWN IN PDS. SEE REV Q1 FOR PREVIOUS CHANGES NOTES AND ASSEMBLY P/N CHARTS UPDATED
REVISED	12-00659	ALL
DATE	BY	REASON
12/15/15

X-ON Electronics

Largest Supplier of Electrical and Electronic Components

Click to view similar products for [Automotive Connectors](#) category:

Click to view products by [APTIV](#) manufacturer:

Other Similar products are found below :

[003-018-000](#) [60403001](#) [60993906-B](#) [629515004020001](#) [M902-2131](#) [M902-2161](#) [72.330.1035.1](#) [73.353.4028.0](#) [F119300-B](#) [F166900](#)
[F258300-B](#) [F358300-B](#) [F407400](#) [F444110](#) [F487000](#) [F509500B-B](#) [827153-1](#) [8N1515-32-24P](#) [9-1326729-8](#) [925474-1](#) [928905-1](#) [964562-4](#)
[968782-1](#) [GT17SA-8DS-HU](#) [98891-1012](#) [98947-1016](#) [12004475-L](#) [12010290](#) [12010309-B](#) [12015454](#) [12020219-B](#) [12020308](#) [12041318-B](#)
[12052225-L](#) [12052466](#) [12059125](#) [12064869](#) [12004327-B](#) [12010503-B](#) [12015308](#) [12015384](#) [12015909](#) [1-21030-1](#) [12041254](#) [12041318](#)
[12047946-B](#) [12047957](#) [12047957-L](#) [12059473](#) [12066261](#)