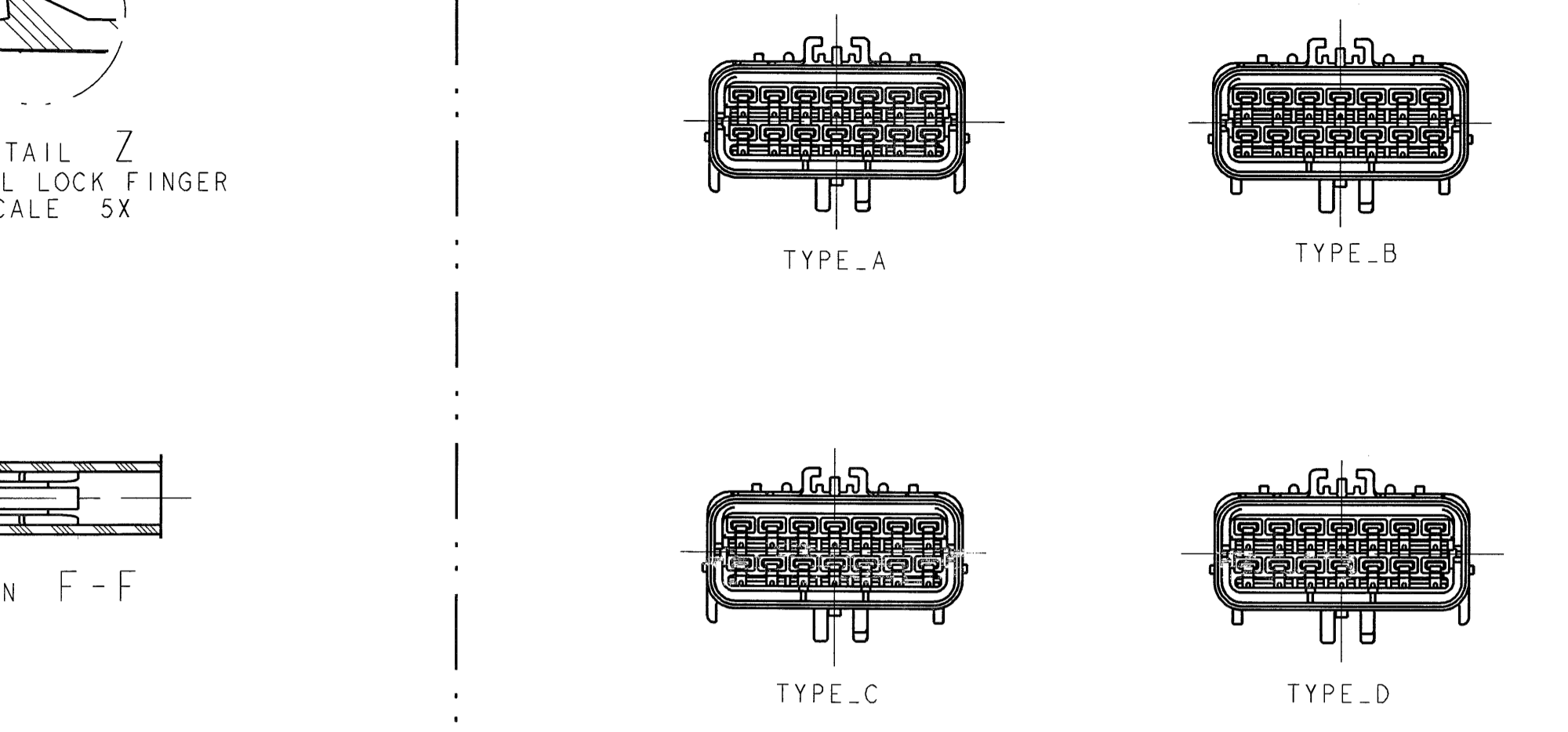
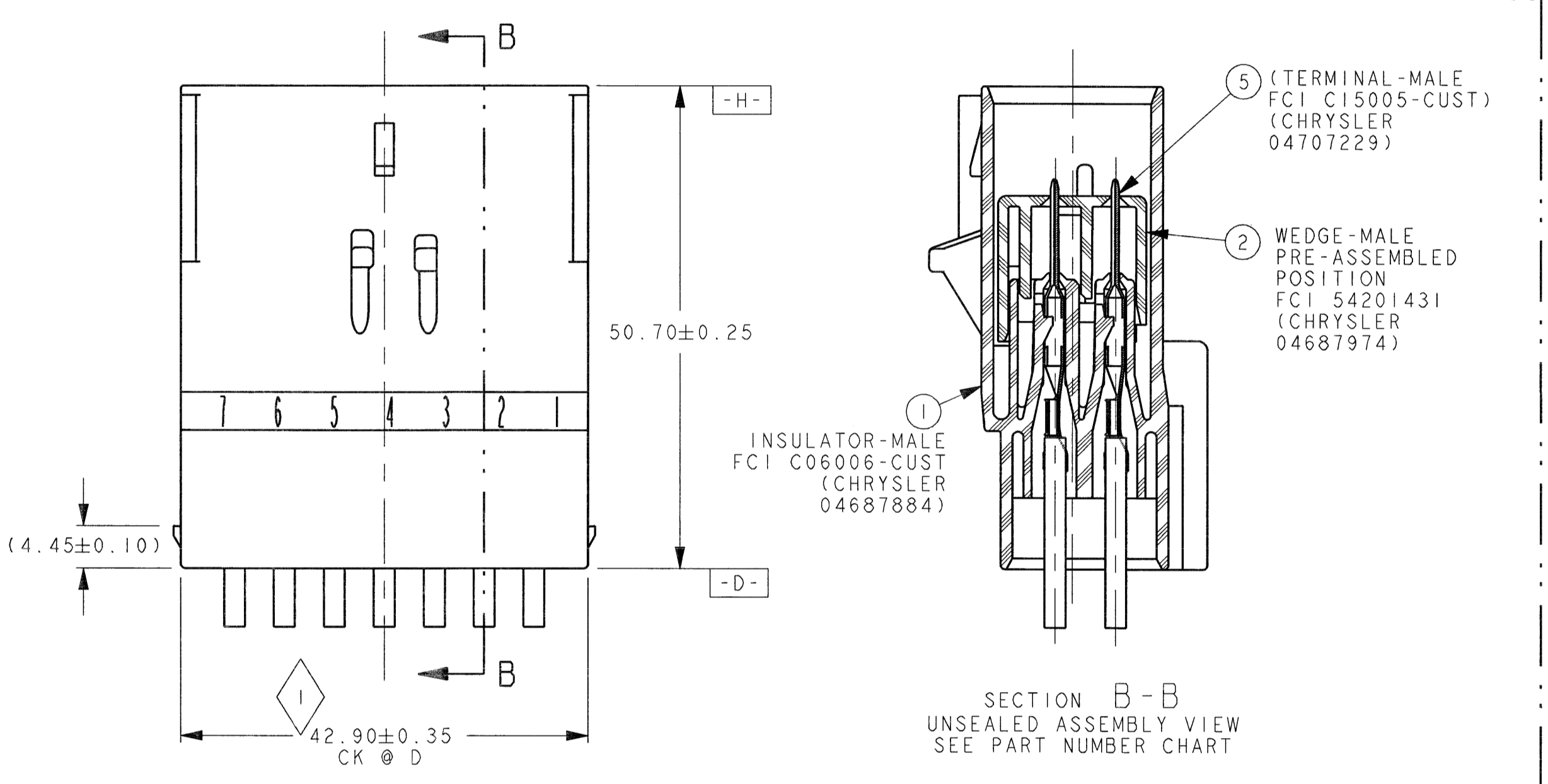
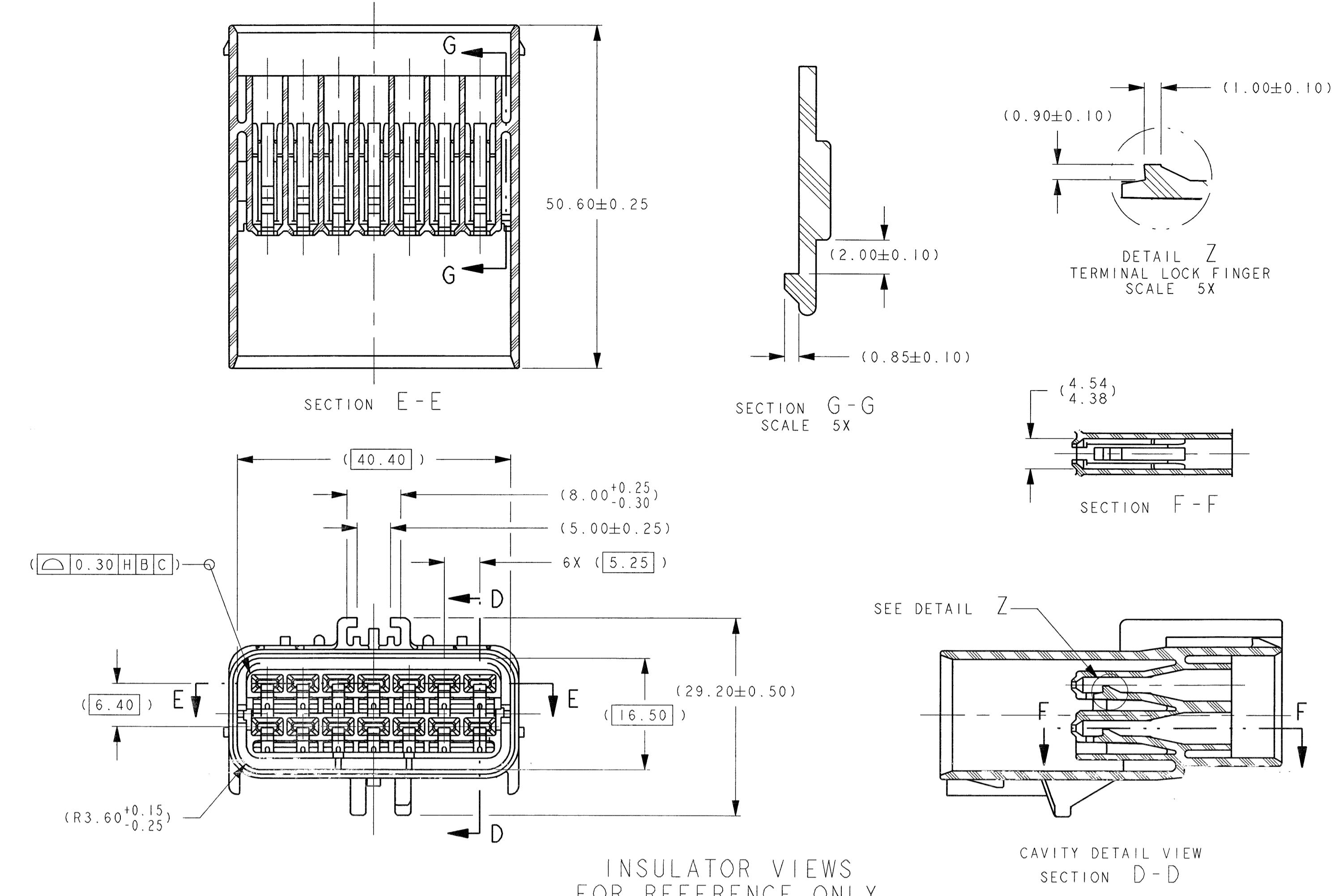
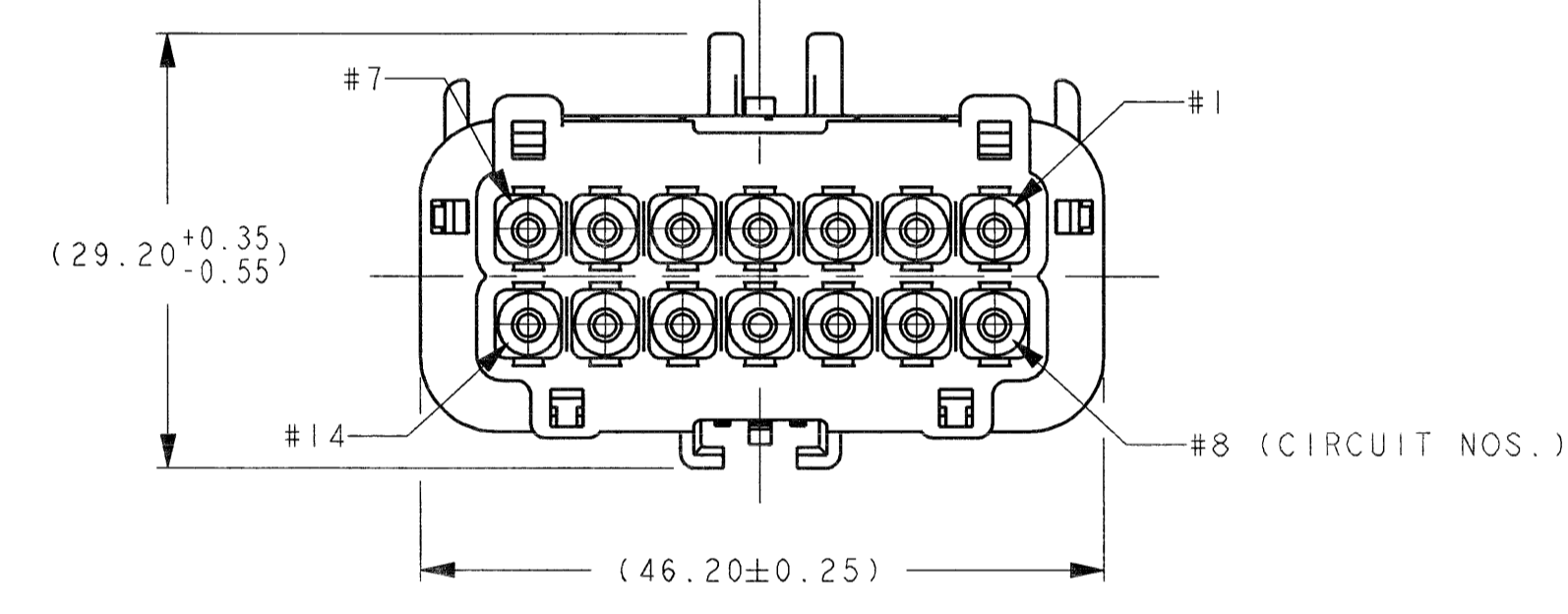
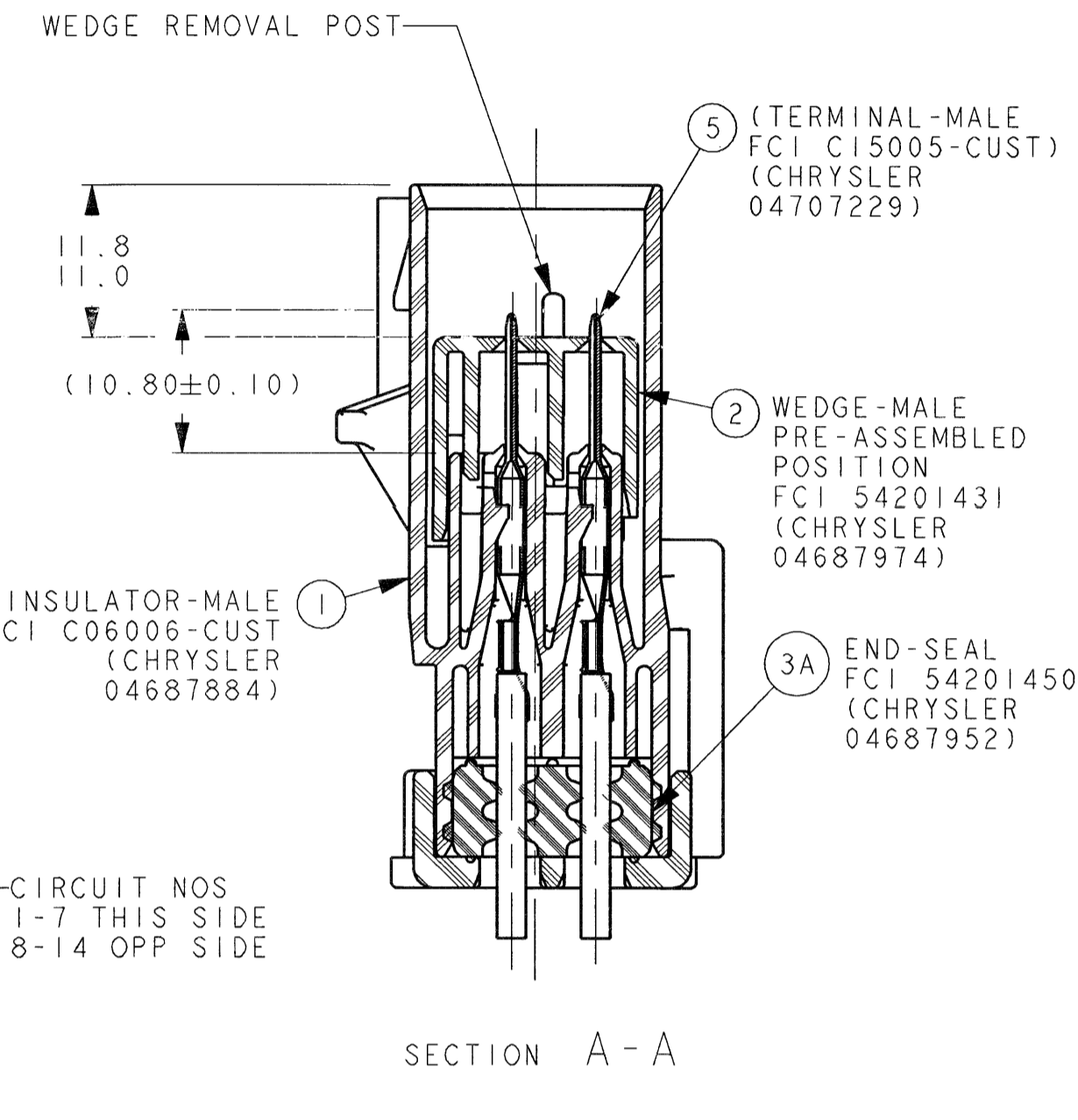
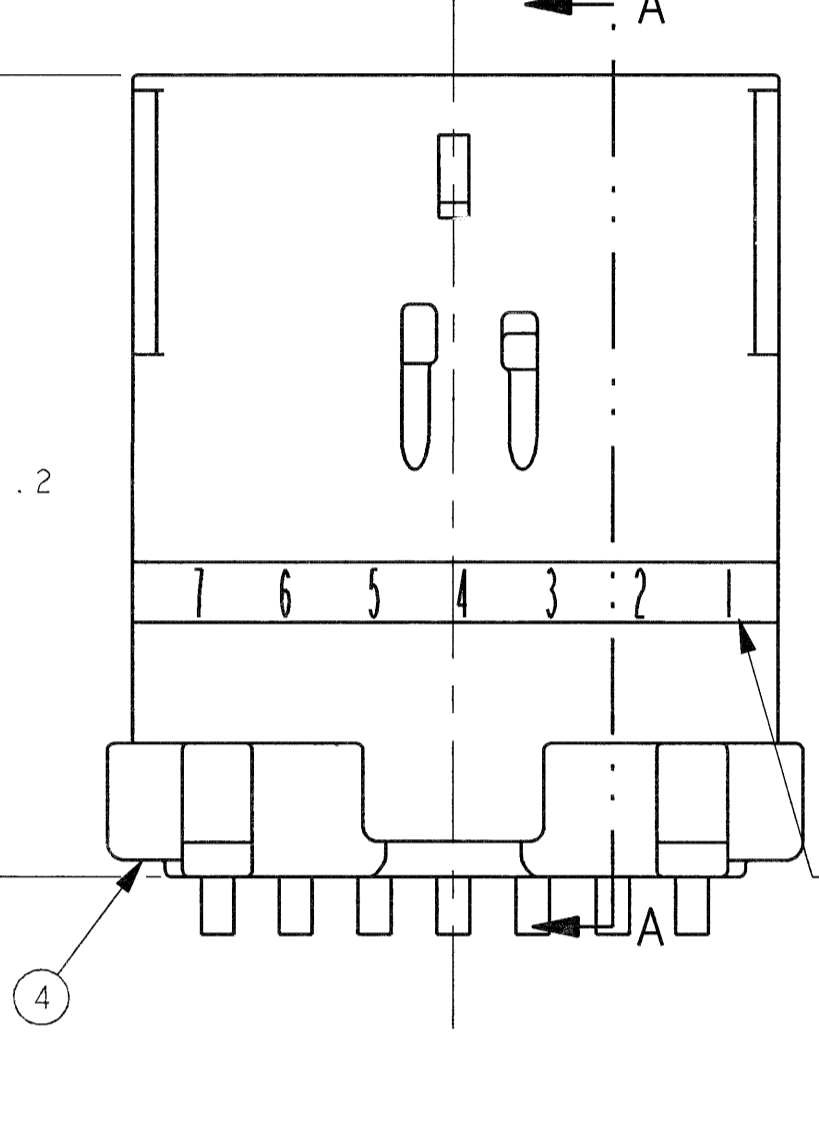
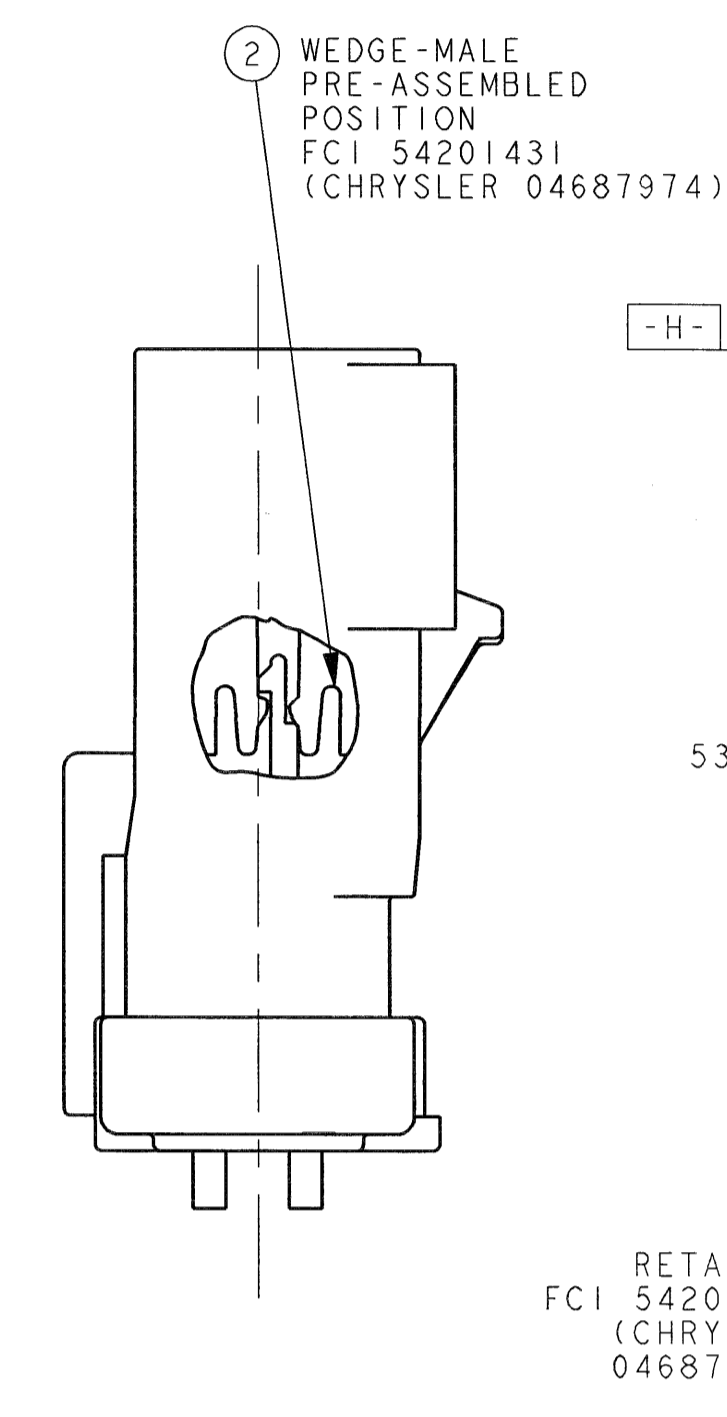
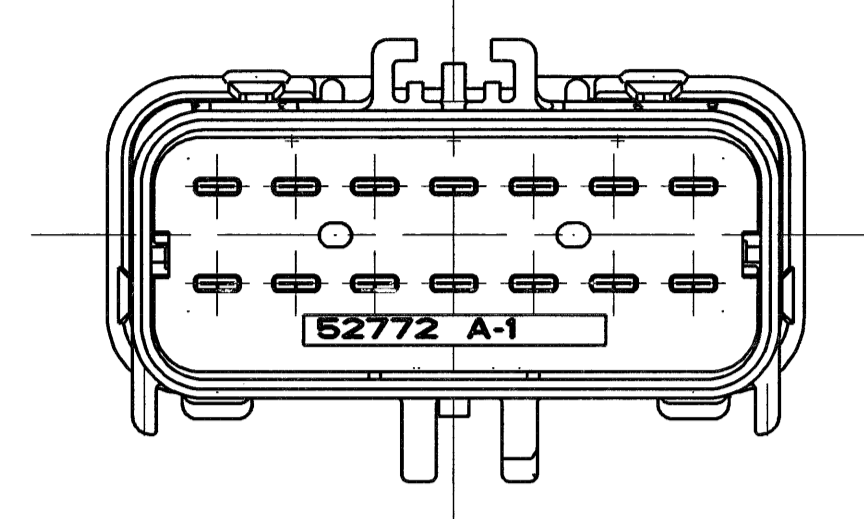
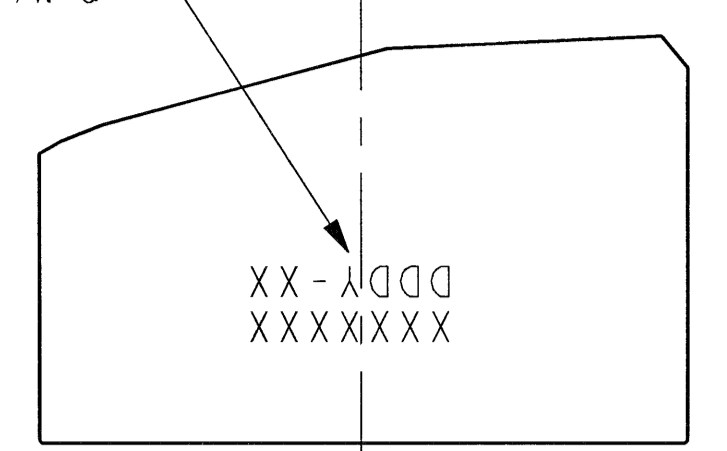


LAST 5 DIGIT OF 8 DIGIT P/N & PART CHANGE LEVEL (PCL) OR LAST 6 DIGITS OF 10 DIGIT P/N & PART CHANGE LEVEL (PCL).  
MFG. DAILY DATE CODE & ASSY MACHINE NO. LETTERING MUST BE LEGIBLE. OPTIONAL



- NOTES:
- 1. QUALITY ASSURANCE REQUIREMENTS PER CHRYSLER PS-7300: 1 SPC DATA REQUIRED
  - 2. ENGINEERING APPROVAL OF SUPPLIER SAMPLES IS REQUIRED PRIOR TO AUTHORIZATION OF PART PRODUCTION
  - 3. CHANGES IN DESIGN COMPOSITION OR PROCESSING FROM THE PART PREVIOUSLY APPROVED FOR PART PRODUCTION REQUIRES PRIOR ENGINEERING APPROVAL
  - 4. WIRING FABRICATORS MUST PURCHASE FROM SOURCES SHOWN
  - 5. ALL THE SEALED CONNECTOR APPLICATIONS MAY BE USED WITH CHRYSLER WIRE SPEC. MS-8288 OR MS-9502 THIN WALL X-LINK 20, 18, 16 & 14 GAGE WIRES ONLY UNLESS OTHERWISE SPECIFIED SEE CHART (WIRE INSULATIONS Ø 1.70 MIN TO Ø 3.35 MAX)
  - 6. ALL NON-SEALED APPLICATIONS MAY BE USED WITH ANY WIRE INSULATION 22 GAGE THRU 10 GAGE (EXCEPT AS NOTED) PROVIDING THAT A TERMINAL GRIP FOR THAT CORE/INSULATION COMBINATION IS SHOWN ON THE MALE TERMINAL DRAWING
- NOTE: MAX. INSULATION CRIMP WIDTH = 4.50  
MAX. INSULATION CRIMP HEIGHT = 4.50  
MAX. INSULATION CRIMP DIA. = 4.09 (10 GA THIN WALL)
- 7. USE WITH CAVITY PLUG FCI P/N 54200005 (CHRYSLER P/N 56038308) WHEN REQ'D USE WITH DOUBLE X-MAS TREE CLIP FCI P/N 54200010 W/FORWARD STOP WHEN REQ'D USE WITH DOUBLE X-MAS TREE CLIP CHRYSLER P/N 04707091 WHEN REQUIRED USE WITH SINGLE X-MAS TREE CLIP CHRYSLER P/N 04625797 WHEN REQUIRED USE WITH 2.80MM APEX MALE TERM PER C15005-CUST SYM ABOUT CENTERLINE FOR 180° ORIENTATION
  - 8. DIRECT CONNECT DRAWING NO. FCI G36014 (CHRYSLER 04707029)
  - 9. TEST METHOD PER SAE/USCAR-2 REV.5, CONNECTOR ENGAGE & DISENGAGE WITH FEMALE LATCH DEPRESSED FORCE NOT TO EXCEED 142 N (32LBS/PF-752(T)) FOR THIS SYSTEM PRESSURE 3 PSI (22 KPA) PER TEST PF-752(T)
  - 10. WEDGE SEATING FORCES - 150 N MAX  
X-MAS TREE CLIP INSERTION FORCES - 75 N MAX
  - 11. SUPPLIER, MOLD & CAVITY I.D. SIGNIFIES TOOL OWNERSHIP, FOR REFERENCE
  - 12. ANNUAL QUALITY REQUIREMENTS:  
IT IS PERMISSIBLE TO PERFORM CONTINUOUS CONFORMANCE PER FCI SPECIFICATION WAGA-001 INSTEAD OF ANNUAL LAYOUT & ANNUAL PV REQUIREMENTS OF QS-9000 SECTION 2 & PF-9600
- ALL NON-REFERENCE DIMENSIONS ARE REQUIRED
- USE INDEX A, BLACK SEALED AND UNSEALED FOR ALL AFFECTED INSULATOR CAVITIES
  - CURRENT PRODUCTION TOOLING
  - POINT OF LAST RUN
  - SERVICE TOOLING GUIDE INFORMATION PER APEX TRAINING MANUAL
- MUST CONFORM TO THE FOLLOWING CHRYSLER/YNA STANDARDS:
1. PF9600
  2. PS-7300 QUALITY ASSURANCE (CHRYSLER)
  3. MS-9502 SEAL APPL. 150 °C
  4. MS-8288 SEAL APPL. 125 °C
  5. PS-9227 DATA EXCHANGE (CHRYSLER), (G009-7 YNA)
  6. PS-10052 INFORMATION SECURITY (CHRYSLER)
- THIS DRAWING (H59016) REPLACES CHRYSLER DRAWING NUMBER 04687887 LEVEL "H" CHRYSLER DRAWING IS FOR REFERENCE ONLY FOR PREVIOUS CHANGES

FCI P/N'S	CHRYSLER P/N'S	NON-CHRYSLER P/N'S	UNSEALED	SEALED
LT GREEN	UNSEALED DIRECT CONNECT APPLICATION	54201452N	N/A	N/A
UNSEALED DIRECT CONNECT APPLICATION	54201452	04868345AA	N/A	N/A
NATURAL	UNSEALED DIRECT CONNECT APPLICATION	54201403N	N/A	N/A
UNSEALED DIRECT CONNECT APPLICATION	54201403	04687932	7283-4649	
SEALED	54201464	N/A	N/A	04687928
SEALED	54201418	N/A	N/A	54201414N
SEALED	54201418	04707243	N/A	54201414
SEALED	54201417	04707241	N/A	54201413
DK GREY	UNSEALED DIRECT CONNECT APPLICATION	54201402N	N/A	N/A
UNSEALED DIRECT CONNECT APPLICATION	54201402	04687931	7283-4648-10	
SEALED	54201463	N/A	N/A	54201413
SEALED	54201417	N/A	N/A	54201413N
SEALED	54201417	04707241	N/A	54201413
SEALED	54201417	04707241	N/A	54201413
LT GREY	UNSEALED DIRECT CONNECT APPLICATION	54201453N	N/A	N/A
UNSEALED DIRECT CONNECT APPLICATION	54201453	N/A	7283-4747-40 (E0001361)	
UNSEALED	54201405	N/A	N/A	54201401N
UNSEALED	54201405	04687936	N/A	54201401
SEALED	54201462	N/A	N/A	54201412
SEALED	54201416	N/A	N/A	54201412N
SEALED	54201416	04687934	N/A	54201412
UNSEALED	54201404	N/A	N/A	54201442N
UNSEALED	54201404	04687935	N/A	54201442
UNSEALED	54201404	N/A	N/A	54201400N
UNSEALED	54201404	04687935	N/A	54201400
SEALED	54201459	N/A	N/A	54201411
SEALED	54201415	04687933	N/A	54201411
SEALED	54201415	04687933	N/A	54201419N
SEALED	54201415	04687933	N/A	54201443
SEALED	54201415	04687933	N/A	54201445N
SEALED	54201415	04687933	N/A	54201456N

FCI P/N'S	CHRYSLER P/N'S	NON-CHRYSLER P/N'S	UNSEALED	SEALED
54201404	04687935	N/A	N/A	N/A
54201405	04687936	N/A	N/A	N/A
54201468	N/A	N/A	N/A	N/A
54201415	04687933	GM15125233	N/A	N/A
54201416	04687934	N/A	N/A	N/A
54201417	04707241	N/A	N/A	N/A
54201418	04707243	N/A	N/A	N/A
54201459	N/A	N/A	N/A	N/A
54201462	N/A	N/A	N/A	N/A
54201463	N/A	N/A	N/A	N/A
54201464	N/A	N/A	N/A	N/A

REQUIRED	REQUIRED	ITEM	FCI P/N	CHRYSLER P/N	PART NAME	MATERIAL
		1	54201424	04687803	INS-MALE INDEX A; BLK	NYLON 66
		1	54201425	04687947	INS-MALE INDEX B; LT GREY	NYLON 66
		1	54201426	04707239	INS-MALE INDEX C; DK GREY	NYLON 66
		1	54201427	04707240	INS-MALE INDEX D; NATURAL	NYLON 66
		2	54201431	04687974	WEDGE-MALE; RED	NYLON 66
		3A	54201450	04687952	END SEAL; LT BLUE (20, 18, 16 & 14AWG)	SILICONE
		3B	54201457	**93008014	END SEAL; BRT YELLOW (NO HOLES)	SILICONE
		4	54201428	04687948	RETAINER; BLACK	NYLON 66

FCI	5272 OR 5272 H	SEE CHART	FCI - FRAMATOME CONNECTORS INTERNATIONAL
VENDOR	VENDOR CODE	PCL	YNA - YAZAKI NORTH AMERICA
23	22		

\*\* INTERLOCK P/N

(SEE TABLE)	---	---	---	---
PART NUMBER	PART NUMBER	REV. DATE	REV. DATE	DRAWING NUMBER
FCI	FCI			CUSTOMER

REV.	DATE	BY	REVISION	DESCRIPTION	SHOWN BY	CHK'D BY	APP'D BY
1	04/08	H3		SEALED AND UNSEALED CABLES CONNECTED W/INS-MALE INDEX			
2	05/08	H2		USE WITH 7 BROW APEX WIRE TERMINAL NOTE			
3	05/08	H2		USE WITH 7 BROW APEX WIRE TERMINAL NOTE			
4	05/08	H2		REVISION FOR INS-MALE INDEX			
5	05/08	H2		REVISION FOR NEW FCI STYLE BLOCK SEE REV. 10 FOR ALL PREVIOUS CHANGES AND REVISIONS			

APPROVED FOR RELEASE

DO NOT SCALE DRAWING

SCALE: 1:1

UNIT: MILLIMETERS

DATE: 04/08

BY: H3

CHK'D: H3

APP'D: H3

CHART ASSEMBLY

18 AWG MALE

12 AWG APEX CONNECTOR SYSTEM

H59016

H59016.DWG

PAGE 2/1

## X-ON Electronics

Largest Supplier of Electrical and Electronic Components

*Click to view similar products for [Automotive Connectors](#) category:*

*Click to view products by [APTIV](#) manufacturer:*

Other Similar products are found below :

[003-018-000](#) [60403001](#) [60993906-B](#) [629515004020001](#) [M902-2131](#) [M902-2161](#) [72.330.1035.1](#) [73.353.4028.0](#) [F119300-B](#) [F166900](#)  
[F258300-B](#) [F358300-B](#) [F407400](#) [F444110](#) [F487000](#) [F509500B-B](#) [827153-1](#) [8N1515-32-24P](#) [9-1326729-8](#) [925474-1](#) [928905-1](#) [964562-4](#)  
[968782-1](#) [GT17SA-8DS-HU](#) [98891-1012](#) [98947-1016](#) [12004475-L](#) [12010290](#) [12010309-B](#) [12015454](#) [12020219-B](#) [12020308](#) [12041318-B](#)  
[12052225-L](#) [12052466](#) [12059125](#) [12064869](#) [12004327-B](#) [12010503-B](#) [12015308](#) [12015384](#) [12015909](#) [1-21030-1](#) [12041254](#) [12041318](#)  
[12047946-B](#) [12047957](#) [12047957-L](#) [12059473](#) [12066261](#)