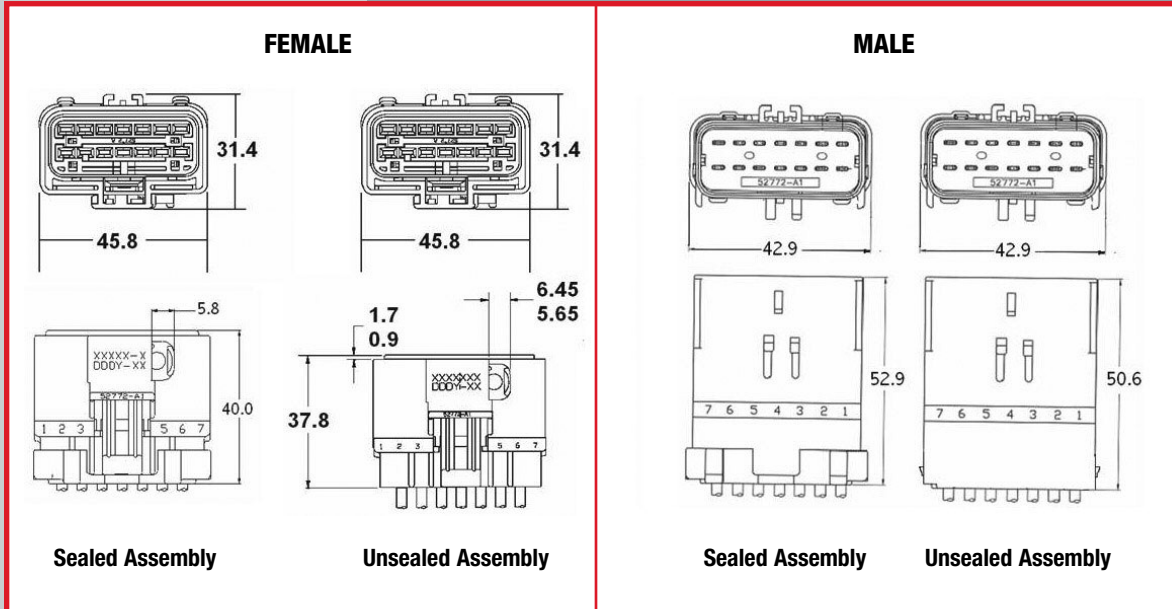


FCI 14-Way APEX 2.8 mm Connection System



INDEX TYPE	HOUSING COLOR	SEALED/ UNSEALED	FEMALE ASSEMBLY PART NUMBER	MALE ASSEMBLY PART NUMBER	TEMPERATURE RATING OF MATERIAL	WIRE INSULATION RANGE PER CAVITY (mm)
A	BLACK	SEALED	54201411	54201415	-40°C to +125°C	1.70 – 3.35
A	BLACK	UNSEALED	54201442	54201404	-40°C to +125°C	1.50 – 4.09
B	LT GREY	SEALED	54201412	54201416	-40°C to +125°C	1.70 – 3.35
B	LT GREY	UNSEALED	54201453	54201405	-40°C to +125°C	1.50 – 4.09
C	DK GRAY	SEALED	54201413	54201417	-40°C to +125°C	1.70 – 3.35
D	NATURAL	SEALED	54201414	54201418	-40°C to +125°C	1.70 – 3.35
A	BLACK	SEALED	54201445N	—	SEAL W/NO HOLES	USED AS CAP
A	BLACK	SEALED	—	54201459	SEAL W/NO HOLES	USED AS CAP
B	LT GREY	SEALED	—	54201462	SEAL W/NO HOLES	USED AS CAP
B	DK GREY	SEALED	—	54201463	SEAL W/NO HOLES	USED AS CAP
C	NATURAL	SEALED	—	54201464	SEAL W/NO HOLES	USED AS CAP

Note: Female part numbers with the N suffix are without CPA latch.

X-ON Electronics

Largest Supplier of Electrical and Electronic Components

Click to view similar products for [Automotive Connectors](#) category:

Click to view products by [APTIV](#) manufacturer:

Other Similar products are found below :

[003-018-000](#) [60403001](#) [60993906-B](#) [629515004020001](#) [M902-2131](#) [M902-2161](#) [72.330.1035.1](#) [73.353.4028.0](#) [F119300-B](#) [F166900](#)
[F258300-B](#) [F358300-B](#) [F407400](#) [F444110](#) [F487000](#) [F509500B-B](#) [827153-1](#) [8N1515-32-24P](#) [9-1326729-8](#) [925474-1](#) [928905-1](#) [964562-4](#)
[968782-1](#) [GT17SA-8DS-HU](#) [98891-1012](#) [98947-1016](#) [12004475-L](#) [12010290](#) [12010309-B](#) [12015454](#) [12020219-B](#) [12020308](#) [12041318-B](#)
[12052225-L](#) [12052466](#) [12059125](#) [12064869](#) [12004327-B](#) [12010503-B](#) [12015308](#) [12015384](#) [12015909](#) [1-21030-1](#) [12041254](#) [12041318](#)
[12047946-B](#) [12047957](#) [12047957-L](#) [12059473](#) [12066261](#)