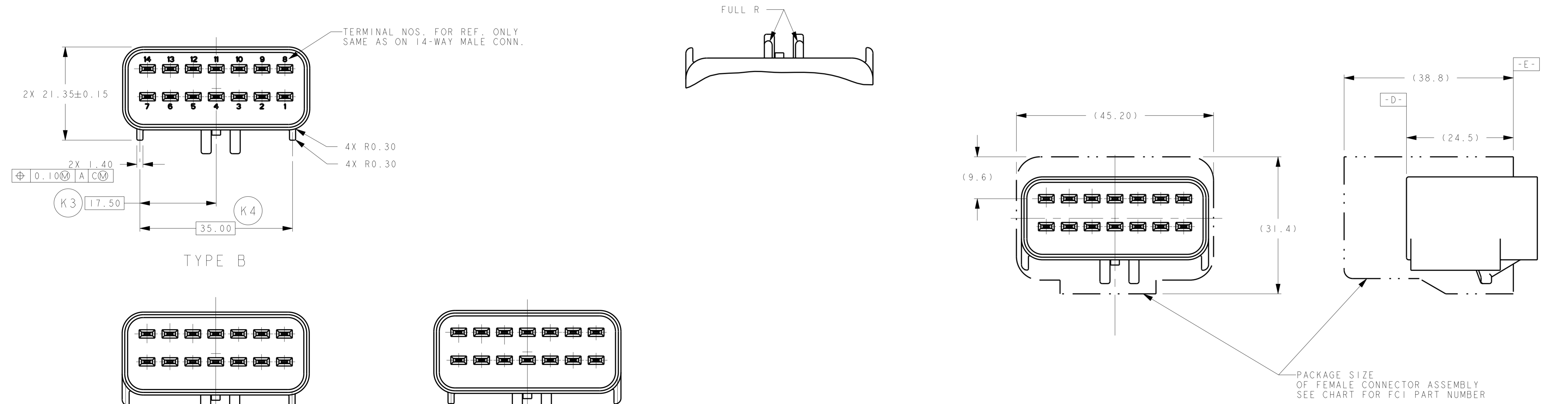
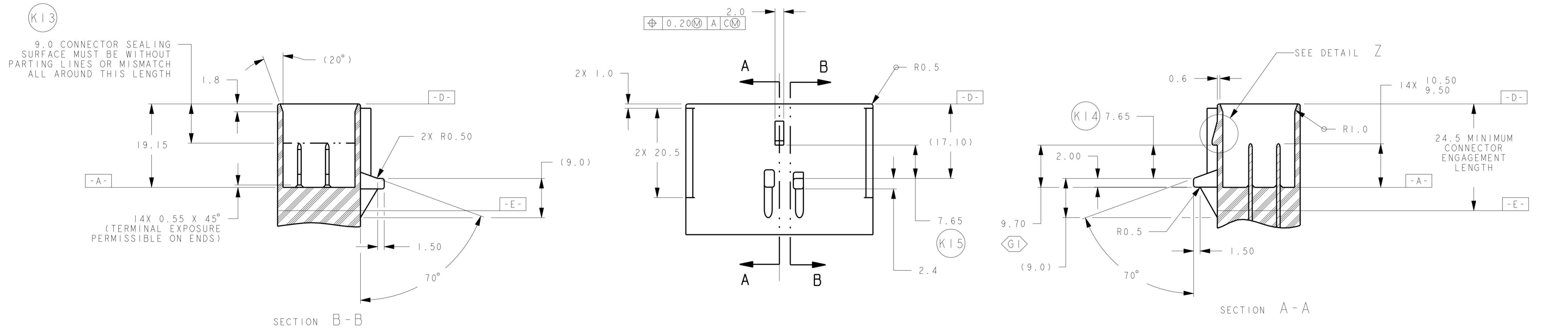


POLARIZING OPTION
TYPE "A" SHOWN
DIMENSIONS FOR OTHER OPTIONS
SAME EXCEPT AS SHOWN



PACKAGE VIEWS FOR REFERENCE ONLY

54201452	UN-SEALED		
54201403	UN-SEALED	NATURAL	G36014-D TYPE D
54201414	SEALED		
54201402	UN-SEALED	DK. GRAY	G36014-C TYPE C
54201413	SEALED		
54201401	UN-SEALED	LT. GRAY	G36014-B TYPE B
54201412	SEALED		
54201443	SEALED		
54201419	SEALED		
54201400	UN-SEALED	BLACK	G36014-A TYPE A
54201442	UN-SEALED		
54201411	SEALED		
MATES WITH 14 WAY FEMALE	SEALED OR UN-SEALED	COLOR	POLARIZATION OPTION

NOTE: POLARIZATION KEY DETAILS PER A & B POLARIZATIONS EXCEPT AS SHOWN

MALE TERMINAL (ENGAGEMENT AREA)
B.C. INDICATES BEFORE COINING
MUST BE APPROVED BY ENGINEERING:
BASE MATERIAL - HIGH CONDUCTIVITY COPPER ALLOY (>80%)
PLATING NOTES (CONTACT AREA)
TIN (125°C MAXIMUM CONTINUOUS TEMPERATURE)
A. HOT TIN DIP 0.5um TO 2um (20uin TO 80uin)
OR
B. POST ELECTRO MATTE TIN
BARRIER PLATE (OPTIONAL FOR SOLDERABILITY) - UNDERPLATE WITH COPPER 2.5um (100uin) MIN. THICKNESS
TOP LAYER 5.0um±2.5um (200uin±100uin) TIN PER ASTM B-545-83
PRECIOUS METAL: WHEN SPECIFIED (PER USCAR EWCAP PLATING REQUIREMENTS)
BARRIER PLATE - (OPTIONAL FOR SOLDERABILITY) UNDERPLATE WITH COPPER 2.5um (100uin) MIN THICKNESS PER ATSM -- TBD
INTERMEDIATE LAYER #1 SULFAMATE DUCTILE NICKEL 1.27um - 2.5um (50uin - 100uin) THICK PER ASTM B699 TYPE 2
INTERMEDIATE LAYER #2 OPTIONAL 1.0um (40uin) MIN THICKNESS PALLADIUM ELECTROPLATE PER ASTM B.1BD
TOP LAYER 0.1um (4uin) MIN THICKNESS HARD GOLD OVER LAYER #2 0.5um (20uin) MIN THICKNESS HARD GOLD IF LAYER #2 IS NOT APPLIED, PER ASTM B.1BD
FOR HEAVY DUTY DIESEL ENGINES: WHEN SPECIFIED
TOP LAYER 1.27um (50uin) MIN THICKNESS HARD GOLD ELECTROPLATE PER ASTM B-488 TYPE 2 CODE "C" OVER INTERMEDIATE LAYER #1
OR
INTERMEDIATE LAYER #2 1.27um (50uin) MIN THICKNESS PALLADIUM ELECTROPLATE
TOP LAYER 0.05um (2uin) MIN THICKNESS HARD GOLD ELECTROPLATE
NOTE: ABOVE NOTES RELATING TO MATERIAL AND PLATING ARE FOR REFERENCE ONLY. PARTS MUST BE VALIDATED TO CUSTOMER REQUIREMENTS.

K INDICATES IN - PROCESS INSPECTION FOR MANUFACTURING DIMENSION(S) OR SPECIFICATION(S): 19
WIRING FABRICATORS MUST PURCHASE FROM ENGINEERING APPROVED SOURCES
MATES WITH 14 WAY FEMALE INSULATOR SEE CHART
UNLESS OTHERWISE SPECIFIED TOLERANCES ARE AS FOLLOWS:
2 PLACE DIMENSIONS ±0.10
1 PLACE DIMENSIONS ±0.25
ANGULAR ±2°
DRAFT PERMISSIBLE WITHIN DIMENSIONAL TOLERANCE ONLY UNLESS OTHERWISE SPECIFIED
MUST CONFORM TO USCAR-2
R 0.15 MAXIMUM ON CORNERS AND FILLETS SHOWN AS SHARP
PART TO BE MOLDED FREE FROM FLASH, VOIDS, STRESSES, IMPERFECTIONS, AND TOOL MARKS, THAT AFFECT FUNCTION, OR HANDLING OF THE PART
ALL EJECTOR MARKS 0.10 MAXIMUM HIGH TO 0.25mm BELOW THE SURFACE OF THE PART
TOOL MUST BE INTERCHANGEABLE TO PRODUCE ALL KEY TYPES AS CHARTED UNLESS OTHERWISE SPECIFIED
G DENOTES GAGE REQUIREMENTS FOR USER AND MANUFACTURER
K19 PLATE BLADE TERMINAL PER ABOVE NOTES
REFERENCE: CHRYSLER DRAWING NO. 04707029

11524	7-19-10	E1	ALL	RELEASED DIRECT CONNECT DRAWING	RA	SSS	SSS
PROJECT NO:	DATE:	REV:	ZONE:	CHANGE DESCRIPTION:	DRAWN BY:	CHK BY:	APPV BY:
APEX 2.8							
DESIGNER:	DATE:	NAME:	TITLE:	PROJECT NUMBER:	DATE:	NAME:	TITLE:
81400	8/29/00	SUCHA SIVANI	FCI 2.80MM DIRECT CONNECT INTERFACE SPECIFICATION	81400	8/29/00	SUCHA SIVANI	FCI 2.80MM DIRECT CONNECT INTERFACE SPECIFICATION
FILE NO:	DATE:	NAME:	TITLE:	PROJECT NUMBER:	DATE:	NAME:	TITLE:
81400	8/29/00	SUCHA SIVANI	FCI 2.80MM DIRECT CONNECT INTERFACE SPECIFICATION	81400	8/29/00	SUCHA SIVANI	FCI 2.80MM DIRECT CONNECT INTERFACE SPECIFICATION

X-ON Electronics

Largest Supplier of Electrical and Electronic Components

Click to view similar products for [Automotive Connectors](#) category:

Click to view products by [APTIV](#) manufacturer:

Other Similar products are found below :

[003-018-000](#) [60403001](#) [60993906-B](#) [629515004020001](#) [M902-2131](#) [M902-2161](#) [72.330.1035.1](#) [73.353.4028.0](#) [F119300-B](#) [F166900](#)
[F258300-B](#) [F358300-B](#) [F407400](#) [F444110](#) [F487000](#) [F509500B-B](#) [827153-1](#) [8N1515-32-24P](#) [9-1326729-8](#) [925474-1](#) [928905-1](#) [964562-4](#)
[968782-1](#) [GT17SA-8DS-HU](#) [98891-1012](#) [98947-1016](#) [12004475-L](#) [12010290](#) [12010309-B](#) [12015454](#) [12020219-B](#) [12020308](#) [12041318-B](#)
[12052225-L](#) [12052466](#) [12059125](#) [12064869](#) [12004327-B](#) [12010503-B](#) [12015308](#) [12015384](#) [12015909](#) [1-21030-1](#) [12041254](#) [12041318](#)
[12047946-B](#) [12047957](#) [12047957-L](#) [12059473](#) [12066261](#)