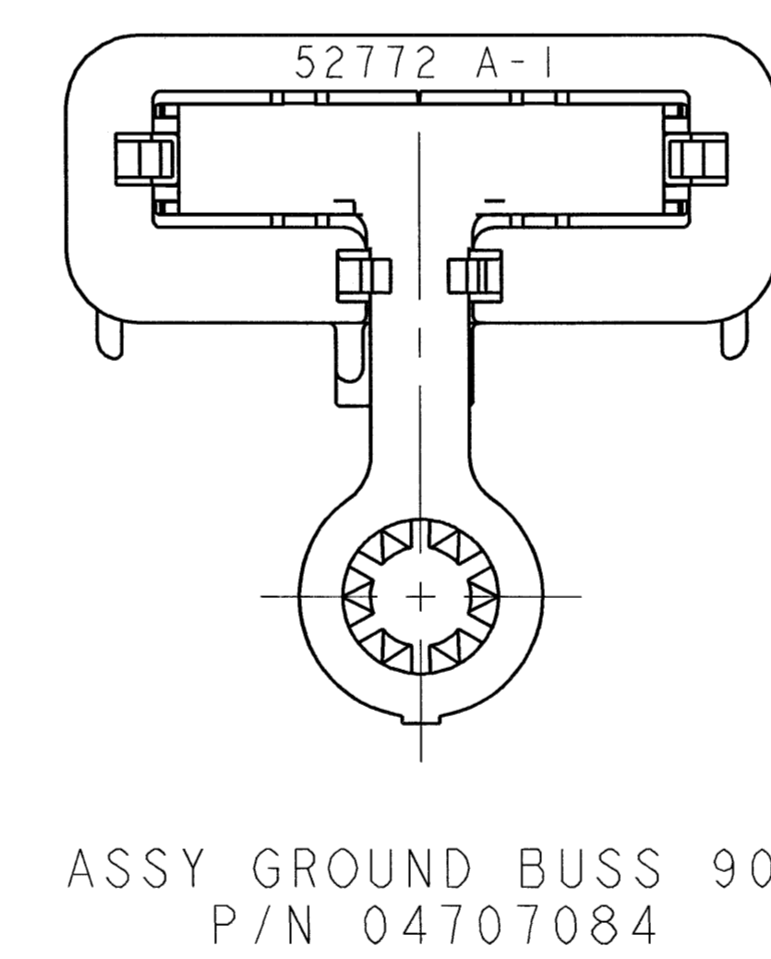
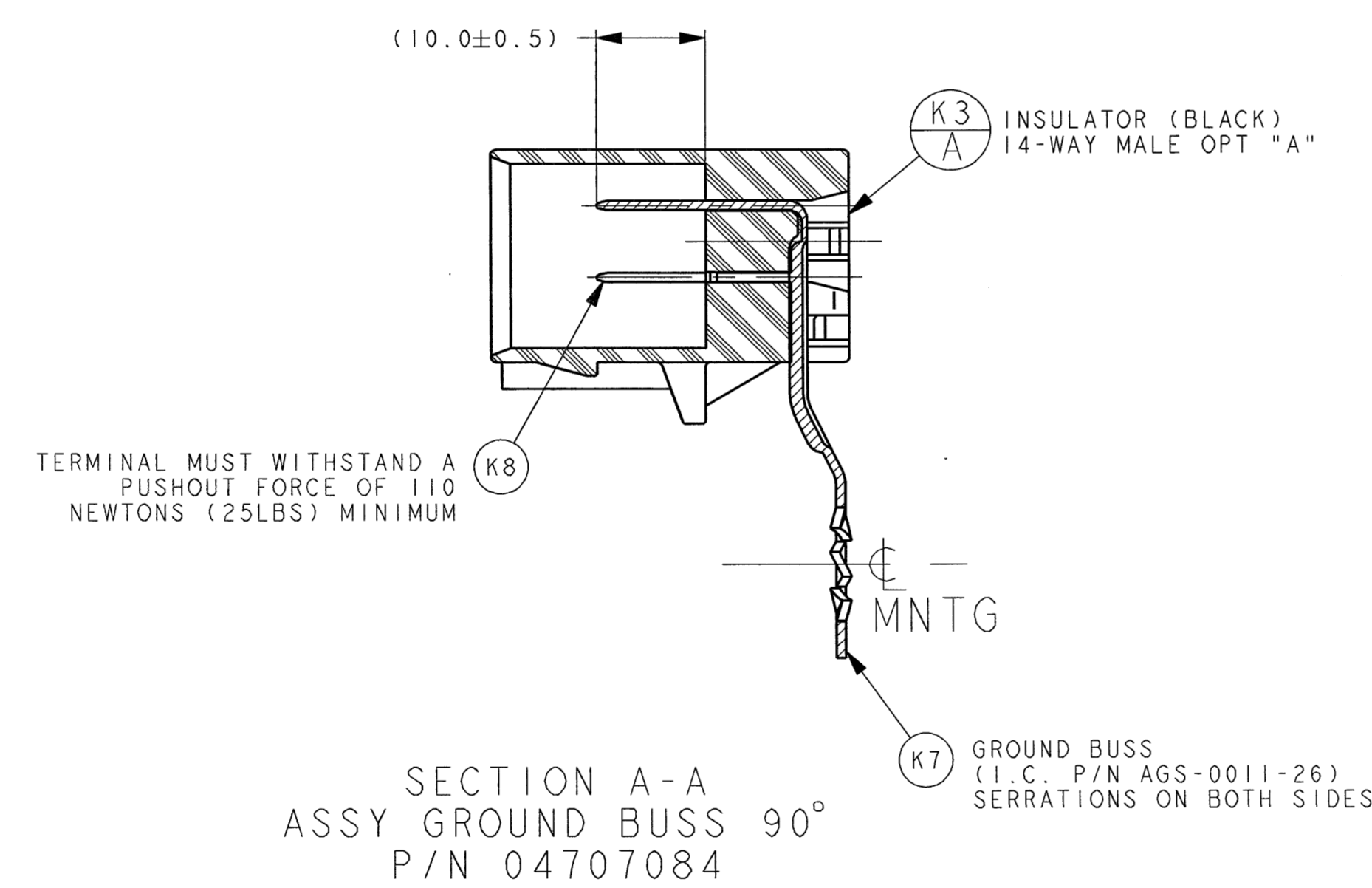
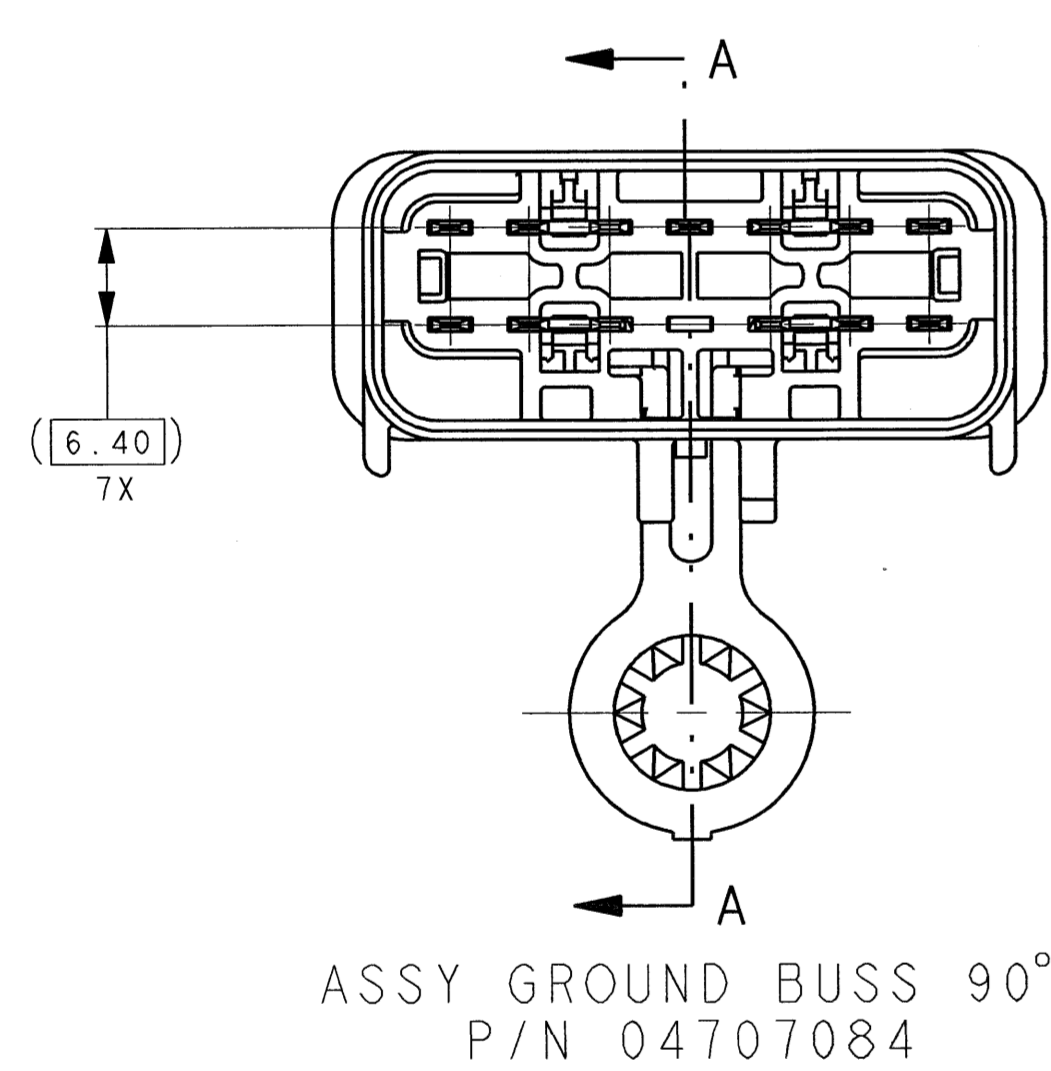
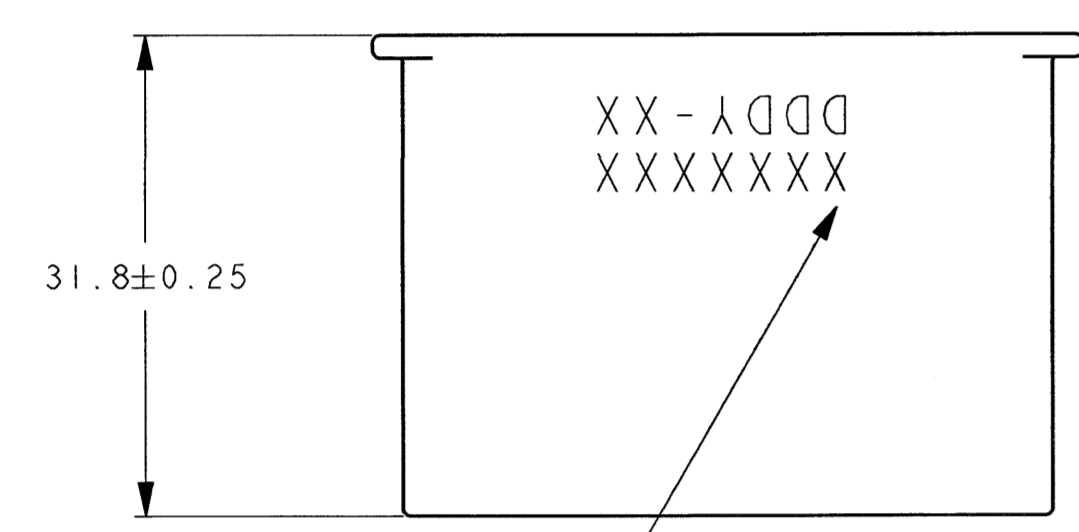


LAST 5 DIGITS OF 8 DIGITS P/N &
PART CHANGE LEVEL (PCL) OR
LAST 6 DIGITS OF 10 DIGIT P/N &
PART CHANGE LEVEL (PCL)
MFG. DAILY DATE CODE & ASSY
MACHINE NO. LETTERING MUST
BE LEGIBLE
OPTIONAL:



QUALITY ASSURANCE REQUIREMENTS PER DCA-7300:1
SFC DATA REQUIRED

ENGINEERING APPROVAL OF SAMPLES FROM SUPPLIER
IS REQUIRED PRIOR TO AUTHORIZATION OF PART PRODUCTION
CHANGES IN DESIGN COMPOSITION OR PROCESSING FROM THE
PART PREVIOUSLY APPROVED FOR PART PRODUCTION REQUIRES
ENGINEERING APPROVAL

WIRING FABRICATORS MUST PURCHASE FROM SOURCES SHOWN
DIMENSIONS FOR REFERENCE ONLY

(K) INDICATES IN-PROCESS INSPECTION FOR MANUFACTURING
DIMENSION(S) OR SPECIFICATIONS: 1:1

MATERIAL: INSULATOR & COVER
MS-DB41 (SAE PA66)
35% GLASS FILLED NYLON 6/6
HEAT STABILIZED & LUBRICATED
BASF ULTRAMID A3607, CPN 2224
COLOR: SEE CHART

TERMINAL: GRD & PWR BUSS
C 19700 EXTRA HARD
TIN PLATE PER PS-39

*** SUPPLIER, MOLD & CAVITY I.D. SIGNIFIES TOOL OWNERSHIP,
FOR REFERENCE

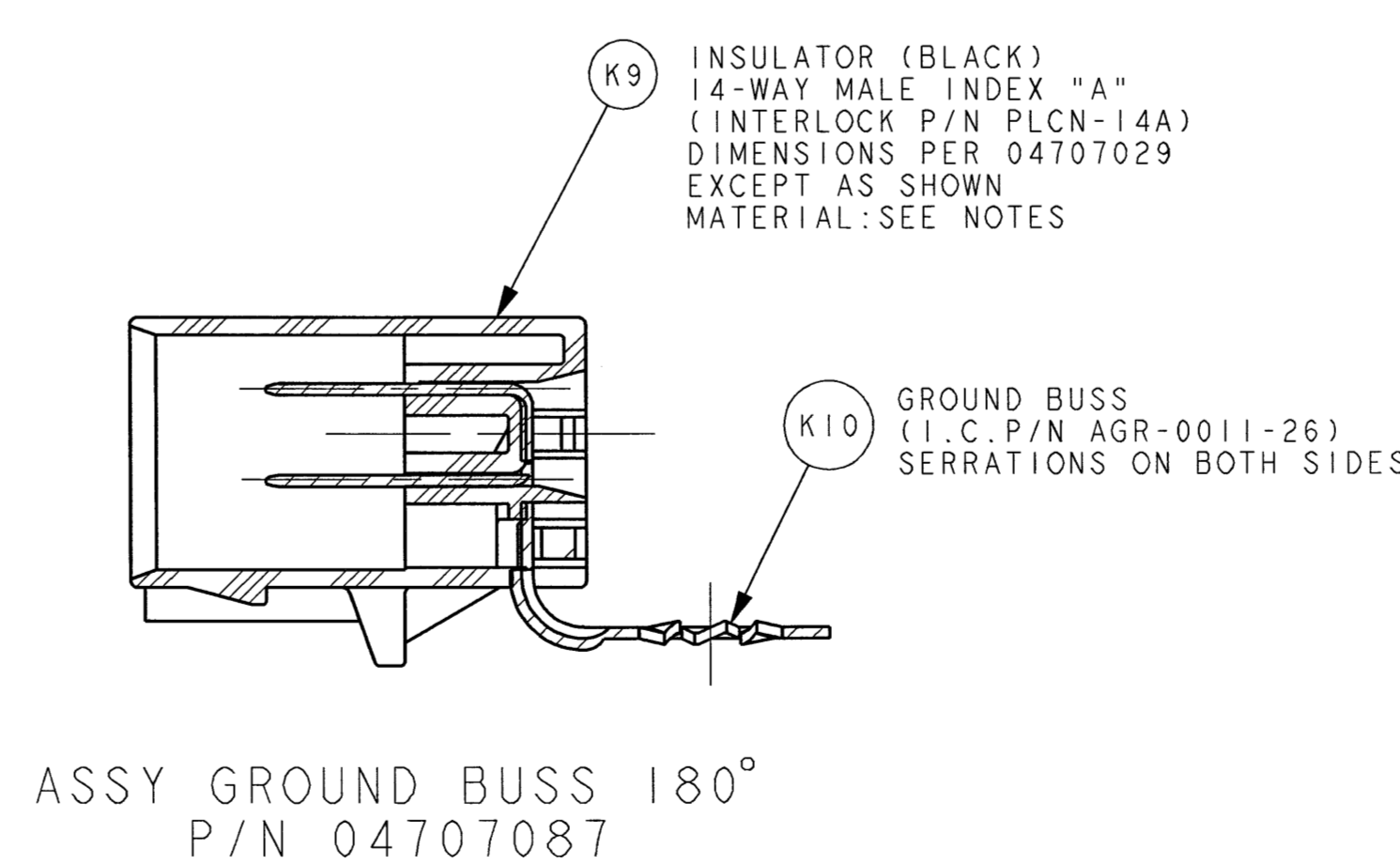
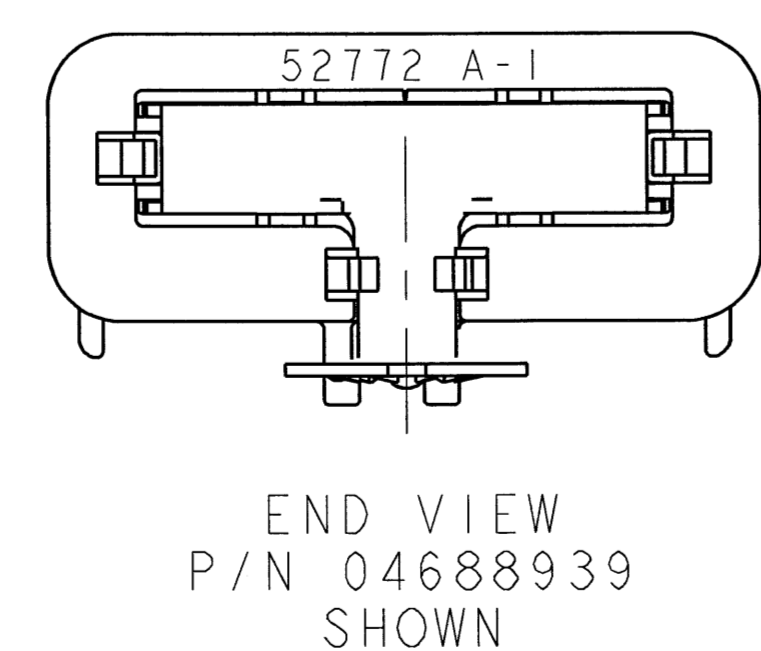
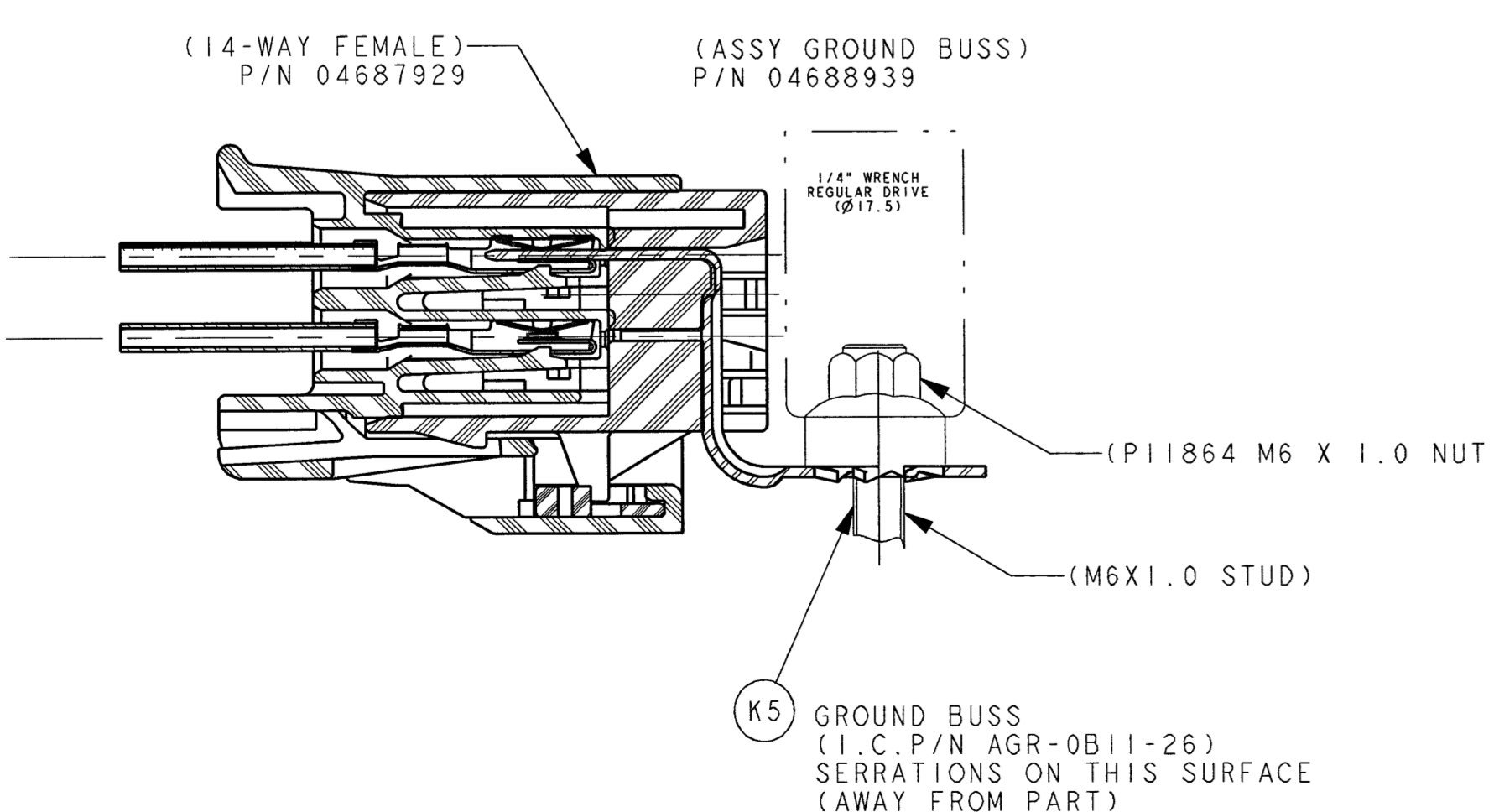
ANNUAL QUALITY REQUIREMENTS:
IT IS PERMISSIBLE TO PERFORM CONTINUOUS CONFORMANCE
PER FCI SPECIFICATION AGA-001 INSTEAD OF ANNUAL LAYOUT &
ANNUAL PV REQUIREMENTS OF QS-9000 SECTION 2 & PF-9600

ALL NON-REFERENCE DIMENSIONS ARE REQUIRED

-CURRENT PRODUCTION TOOLING
-POINT OF LAST RUN

SERVICE TOOLING GUIDE INFORMATION PER APEX TRAINING MANUAL

MUST CONFORM TO THE FOLLOWING DCA STANDARDS
(1) PS-7300 (2) DS-108 (3) PS-4480
(4) PS-9065 (5) SAE/USCAR-2 REV 4



VENDOR (CODE)	MATING PART NO.	COLOR	INDEX TYPE	INSULATOR (INTERLOCK P/N)	PART NO.	PART NAME	FCI (INTERLOCK) COVER P/N	PART CHANGE LEVEL	
	04687929	54201400	BLACK	A (PLCN-14A)	04688939	54201409	GROUND BUSS 180° SERRATIONS AWAY FROM PART	NO COVER	J
	04687929	54201400	BLACK	A (PLCN-14A)	04688938	54201408	GROUND BUSS 180° SERRATIONS TOWARD PART	NO COVER	K
	04687929	54201400	BLACK	A (PLCN-14A)	04707087	54201407	GROUND BUSS 180° SERRATIONS ON BOTH SIDES	NO COVER	K
	04687930	54201401	LT GREY	B (PLCN-14B)	N/A	54201465	POWER BUSS-14 WAY	54201471 (PLCV-14A)	R
	04687929	54201400	BLACK	A (PLCN-14A)	04707086	54201410	POWER BUSS 2-6 WAYS		R
	04687929	54201400	BLACK	A (PLCN-14A)	04707084	54201406	GROUND BUSS 90° SERRATIONS ON BOTH SIDES	NO COVER	K

DRAWING NO. K09001

D6	8765	RI	RE-RELEASED WITH CORRECTED LINES VIEWS OF TYPE "B" UPDATES	8-18-06	8	1	1
D6	8603	R	POLARIZATION TYPE "B" INSULATOR MODIFIED TO INSULATE BARE BUSS	07-19-06	8	1	1

DRAWING NO. K09001

E1	8550	P	FCI X-REFERENCE PART NUMBERS ADDED AGAINST DCA PART NUMBERS	06-07-06	8	1	1
ALL	7888	N	REVISED & REDRAWN IN PRO-E ON FCI TITLE BLOCK	08-08-05	8	1	1
ALL	7888	N	REPLACED DCA DRW #04707150 REV "M" DATED 02-28-01				
ALL	7888	N	PART NOS. 54001445 POWER BUSS TERMINAL & 54201465 ASSEMBLY ADDED				

ZONE	ECN	LET	REVISION RECORD	DATE	D	W	C	R	F

LAST INSP CODE

LAST TOOL CODE

LAST SEC

UNLESS OTHERWISE SPECIFIED

DRAWN	CHKD	DATE
		08-08-05
ENGR	DATE	
	08-08-05	
APPR	DATE	
	08-08-05	

LAST DATUM

DIMENSIONS IN mm

1 PLACE DIM ± 0.25
2 PLACE DIM ± 0.10
ANGULAR DIM ± 2°

DO NOT SCALE DRAWING

SCALE: 2X & NOTED

MATERIAL: SEE NOTES

04707150

THIS IS A COMPUTER AIDED DESIGN DRAWING SYSTEM: PRO/E
CAD ID. NO.: K09001 FILE NAME: K09001

NAME: CHART-ASSY 14WAY DRAWING NO. REF: R1

MALE GROUND & POWER BUSS K09001
(2.80 MM IN-LINE APEX CONN. SYS.) SHEET 1 OF 1

TOOL NO. 4044, A045, A 4046

X-ON Electronics

Largest Supplier of Electrical and Electronic Components

Click to view similar products for [Automotive Connectors](#) category:

Click to view products by [APTIV](#) manufacturer:

Other Similar products are found below :

[003-018-000](#) [60403001](#) [60993906-B](#) [629515004020001](#) [M902-2131](#) [M902-2161](#) [72.330.1035.1](#) [73.353.4028.0](#) [F119300-B](#) [F166900](#)
[F258300-B](#) [F358300-B](#) [F407400](#) [F444110](#) [F487000](#) [F509500B-B](#) [827153-1](#) [8N1515-32-24P](#) [9-1326729-8](#) [925474-1](#) [928905-1](#) [964562-4](#)
[968782-1](#) [GT17SA-8DS-HU](#) [98891-1012](#) [98947-1016](#) [12004475-L](#) [12010290](#) [12010309-B](#) [12015454](#) [12020219-B](#) [12020308](#) [12041318-B](#)
[12052225-L](#) [12052466](#) [12059125](#) [12064869](#) [12004327-B](#) [12010503-B](#) [12015308](#) [12015384](#) [12015909](#) [1-21030-1](#) [12041254](#) [12041318](#)
[12047946-B](#) [12047957](#) [12047957-L](#) [12059473](#) [12066261](#)