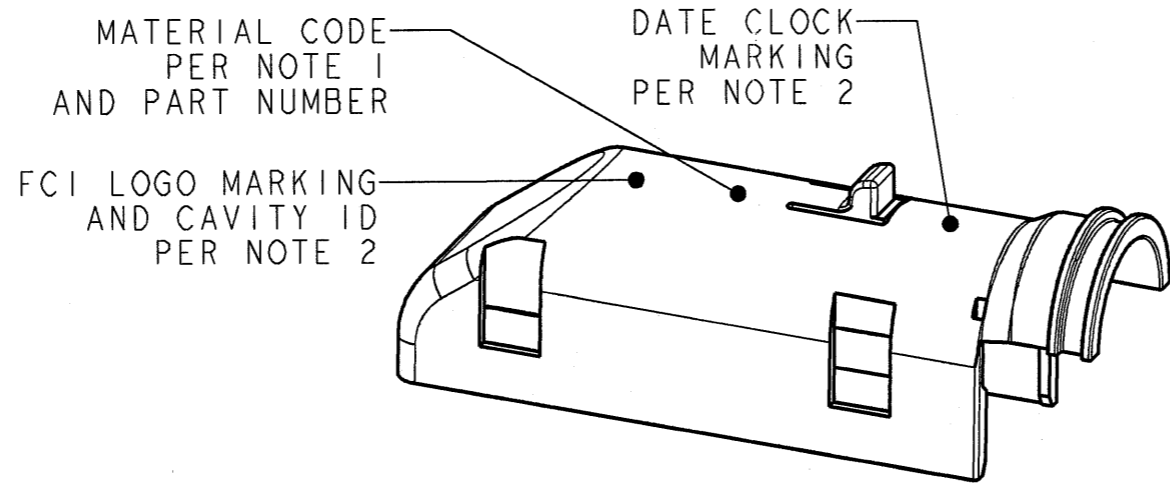

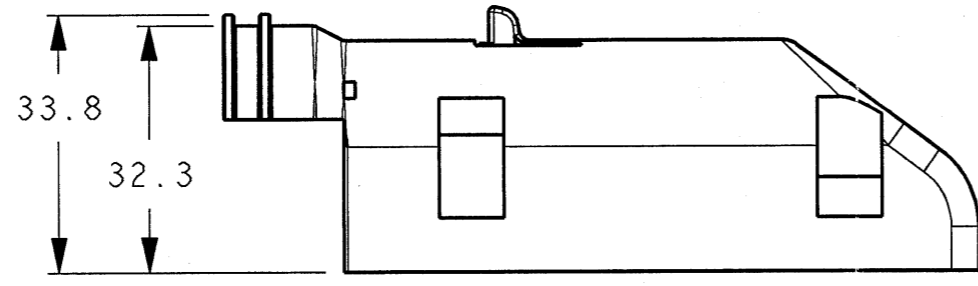
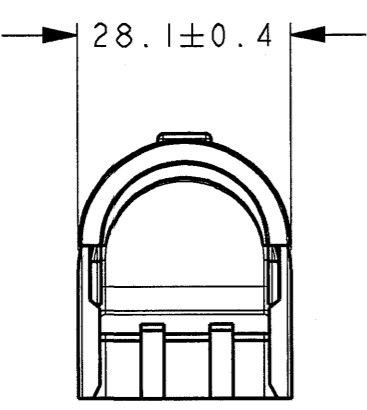
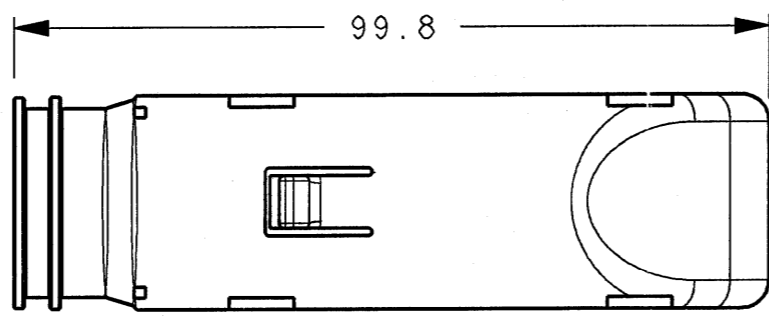


DRAWING NUMBER	H48007	REVISION	J	SHEET	1/1	APPROVAL LEVEL	-
DRAWING	-						



NOTES:

- 1) 'LEGIBLE PLASTIC COMPOUND' IDENTIFICATION SYMBOL PER ISO 11469 MUST APPEAR ON THIS SURFACE, RAISED OR DEPRESSED (0.2 mm), MUST NOT AFFECT APPEARANCE, FUNCTION, OR ASSEMBLY.
EXAMPLE : >SPS - GF30< OR >PA66 - GF35<
- 2) DATE CLOCK, FCI LOGO, MOLD AND CAVITY I.D., AND P/N IN THIS GENERAL AREA.
- 3)  QUALITY ASSURANCE REQUIRMENTS
SPC DATA REQUIRED: 1
(DIMENSIONAL OR PROCESS PARAMETERS PERMISSIBLE)



UNCONTROLLED
FCI AUTOMOTIVE
SEP 14 2005
AMERICAS

FCI
MASTER COPY
WHEN IN RED

ECN-NUMBER	DATE M-D-YY	REVISION	ZONE	CHANGE DESCRIPTION	DRAWN BY	CHK. BY	APPR. BY
8025	09/12/05	J	A8	PA66 WAS PA	JRG	AM	AM
7892	07/02/05	H	A7	ADDED 54210045A	JRG	AM	AM
			A3	ADDED NEW MATERIAL			
7892	07/02/05	H	E2	REVISED NOTE	JRG	AM	AM
6814	06/8/04	G3	D3	NOTE 3 ADDED	TK	TK	TK
6794	06/3/04	G2	F6	MARKING NOTE UPDATED	TK	TK	TK
			E6	MARKING NOTE UPDATED			
			A8	REMOVED SOURCE ID FROM NOTE 2			
6247	01/16/04	G	-	ADDED NOTES AND 28.1±0.4 WAS 28.1	DEH	TK	TK
5913	10/30/03	F	-	P/N 54210045 WAS 54210047	DEH	TWT	TK
5903	10/28/03	E	-	P/N 54210047 WAS 54210022	DEH	TWT	TK
5500	05/30/03	D	-	54210022 WAS 5410022	DEH	TWT	DG
5294	02/26/03	C	-	ADDED MOLD NUMBERS	DEH	TWT	DG
		I	-	CHANGED MATERIAL TO NWA 7030			
5127	12/04/02	B	-	99.82 WAS 99.5	DEH	TWT	DG
5067	10/31/02	A	-	RELEASE FOR ENGINEERING USE	DEH	TWT	DG
5004	10/15/02	I	-	RELEASE FOR ENGINEERING USE	DEH	TWT	DG

PA66 - GF35	54210045A				
SPS - GF 30	54210045				
MATERIAL	PART NUMBER F.C.I.	PART NUMBER	REV DATE	RLV	DRAWING NUMBER
CUSTOMER					

TOLERANCES 1 PLACE ±0.25 2 PLACE ±0.13 ANGULAR ±2°	MATERIAL : DOW QUESTRA NWA 7030 OR BASF ULTRAMID A3E67	SURFACE FINISH	 3RD ANGLE DIMENSION IN MILLIMETERS A3 SHEET 1 of 1
COUNTERPART NO.	COLOR : BLACK		
DO NOT SCALE DRAWING		TOOL NO. M362	ECO Loc. Code NA
DRAWN BY 11-15-02 M.SARAVANAN	TITLE WIRE DRESS COVER [46/48-WAY]		DRAWING NUMBER H48007
CHECKED BY	APPROVED BY 09-26-02 D.GOETZINGER	ESR NO. AM050074	FILE NAME H48007
		CAT. NO. -	SCALE 1:1

P259

X-ON Electronics

Largest Supplier of Electrical and Electronic Components

Click to view similar products for [Automotive Connectors](#) category:

Click to view products by [APTIV](#) manufacturer:

Other Similar products are found below :

[003-018-000](#) [60403001](#) [60993906-B](#) [629515004020001](#) [M902-2131](#) [M902-2161](#) [72.330.1035.1](#) [73.353.4028.0](#) [F119300-B](#) [F166900](#)
[F258300-B](#) [F358300-B](#) [F407400](#) [F444110](#) [F487000](#) [F509500B-B](#) [827153-1](#) [8N1515-32-24P](#) [9-1326729-8](#) [925474-1](#) [928905-1](#) [964562-4](#)
[968782-1](#) [GT17SA-8DS-HU](#) [98891-1012](#) [98947-1016](#) [12004475-L](#) [12010290](#) [12010309-B](#) [12015454](#) [12020219-B](#) [12020308](#) [12041318-B](#)
[12052225-L](#) [12052466](#) [12059125](#) [12064869](#) [12004327-B](#) [12010503-B](#) [12015308](#) [12015384](#) [12015909](#) [1-21030-1](#) [12041254](#) [12041318](#)
[12047946-B](#) [12047957](#) [12047957-L](#) [12059473](#) [12066261](#)