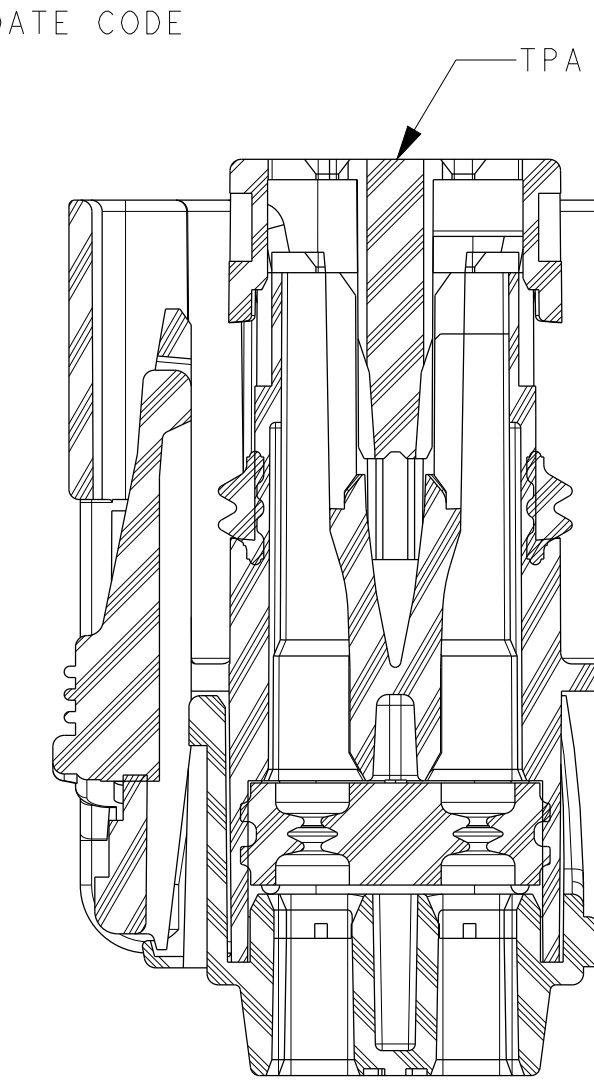
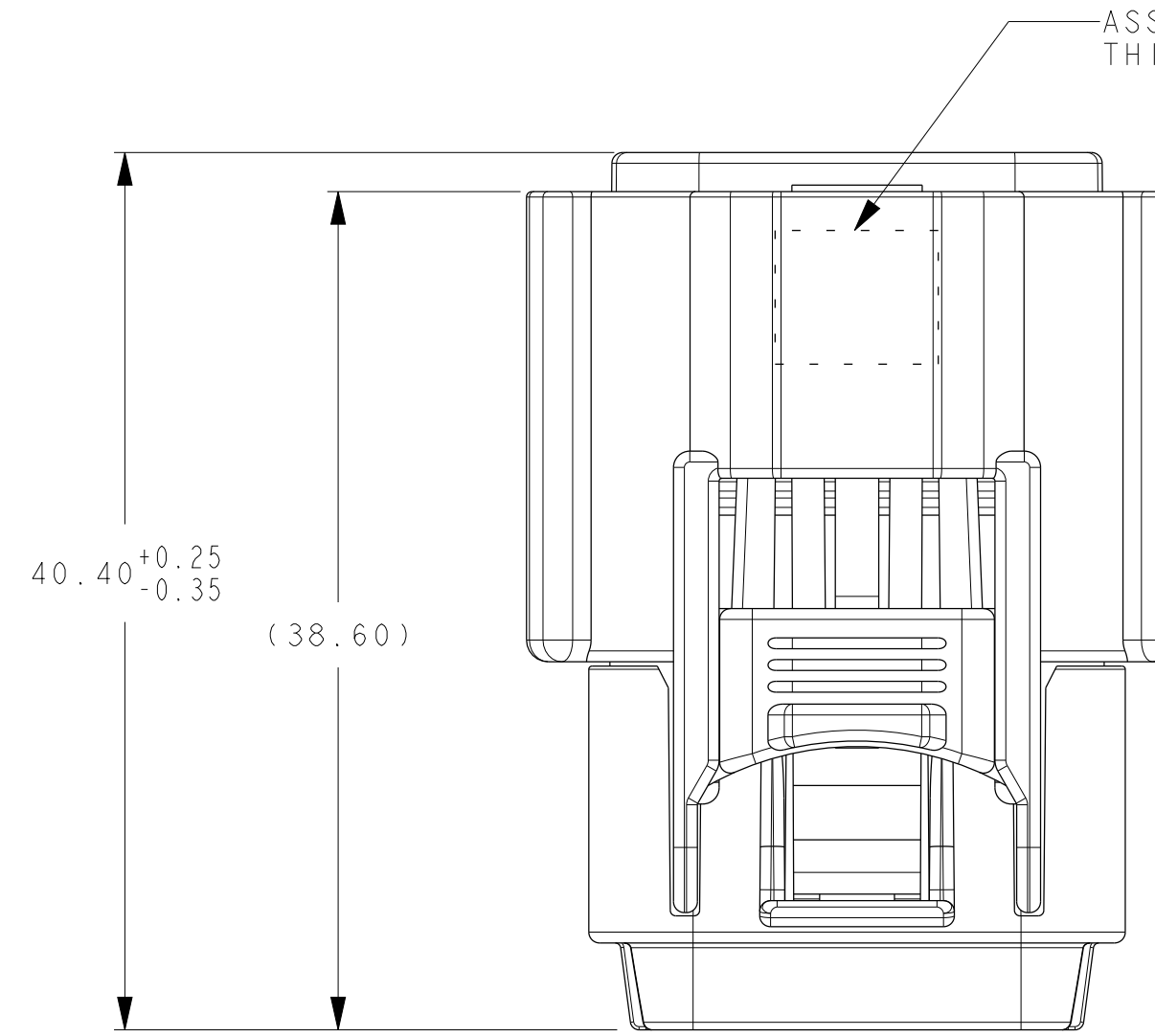
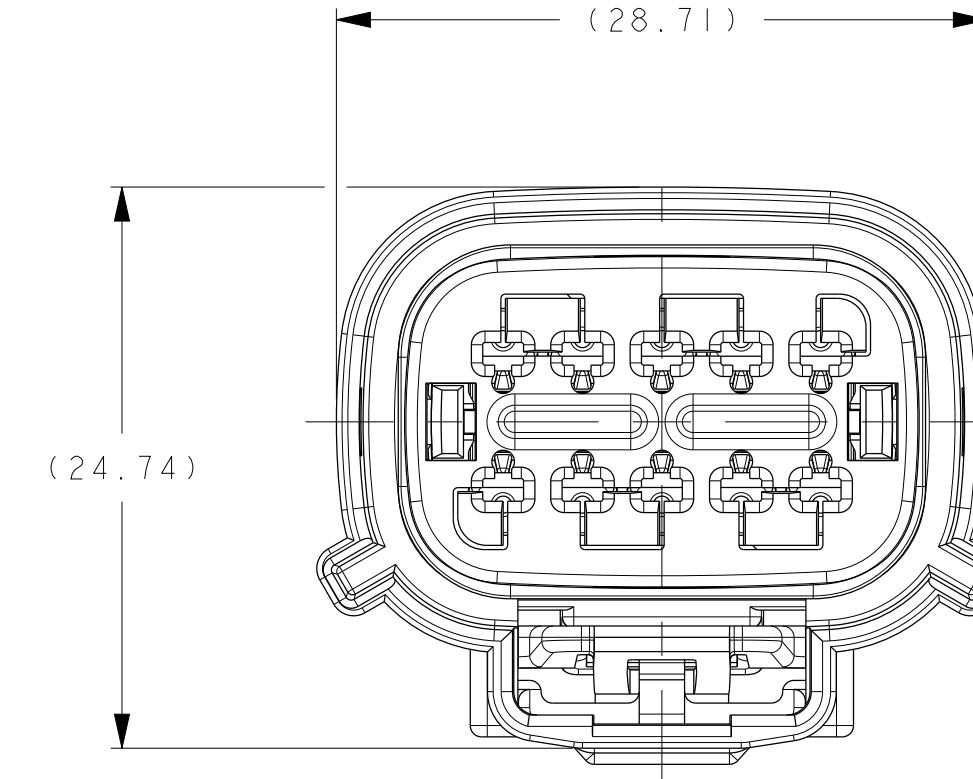


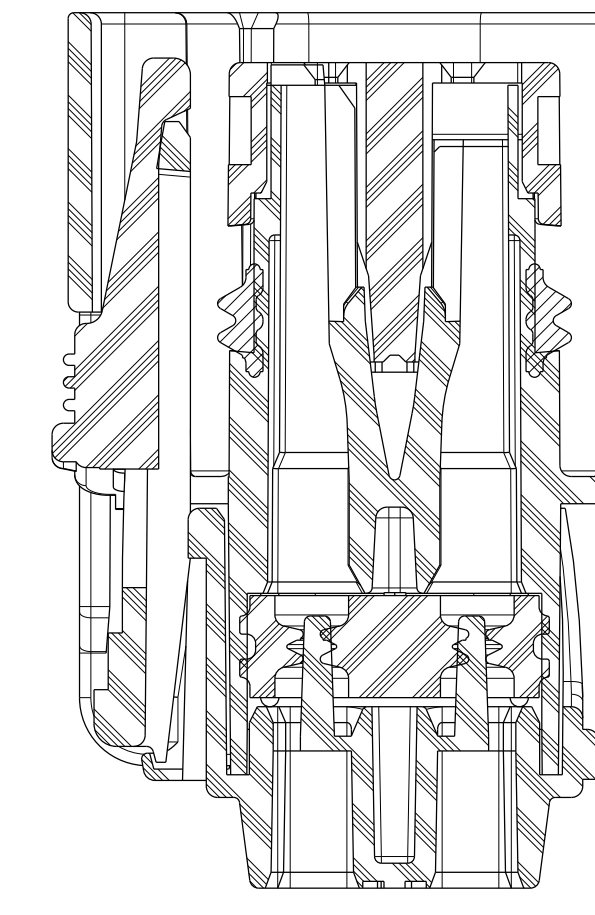
WITH CPA		NO CPA				KEY OPTION	COLOR	COMPONENTS			PLUGGED (X) SEAL POSITIONS										OPEN CIRCUITS	MATES WITH ASSEMBLY (REFERENCE ONLY)			
NUMBER	REV	NUMBER	REV	NUMBER	REV			HOUSING	CPA	RETAINER	1	2	3	4	5	6	7	8	9	10		PART NUMBER	MVL	DELPHI	PART NUMBER
54241030	E	13737245	01	54241030N	E	33500341	01	A	Black	54241080										10	54241000	13763996	54241004	33500125	
54241031	E	13775899	01	54241031N	E	33500342	01	B	Grey	54241081										10	54241001	13771870	54241005	33500126	
54241032	E	33500135	01	54241032N	E	33500343	01	C	Brown	54241082										10	54241002	33500123	54241006	33500127	
54241033	E	33500136	01	54241033N	E	33500344	01	D	Green	54241083										10	54241003	33500124	54241007	33500128	
54241034	E	33500137	01	54241034N	E	33500345	01	A	Black	54241080				X						9	54241008	13672213	54241010	33500130	
54241035	E	33500138	01	54241035N	E	33500346	01	B	Grey	54241081				X						9	54241009	33500129	54241011	33500131	
54241036	E	33500139	01	54241036N	E	33500347	01	A	Black	54241080				X	X					8	54241012	13672211	54241014	33500133	
54241037	E	33500140	01	54241037N	E	33500348	01	B	Grey	54241081				X	X					8	54241013	33500132	54241015	33500134	
54241038	G	33511334	01	54241038N	G	33511338	01	A	Black	54241080	X	X	X	X	X	X	X	X	3	54241016	33511329				
54241039	G	33511335	01	54241039N	G	33511339	01	A	Black	54241080	X	X	X	X	X	X	X	X	4	54241017	33511330				
54241040	J	33510884	01	54241040N	J	33510885	01	A	Black	54241080	X	X	X	X	X	X	X	X	6	54241018	33511331				
54241041	J	33511336	01	54241041N	J	33511340	01	A	Black	54241080	X	X	X	X	X	X	X	X	6	54241019	33511332				
54241042	J	33511337	01	54241042N	J	33511341	01	A	Black	54241080	X	X	X	X	X	X	X	X	8	54241020	33511333				
F706300	M	13779747	01					A	Black	54241080							X		9	F606300	13779746				
F099300	N	33510886	01					A	Black	54241080	X	X	X	X	X	X	X	X	0 (ZERO)						



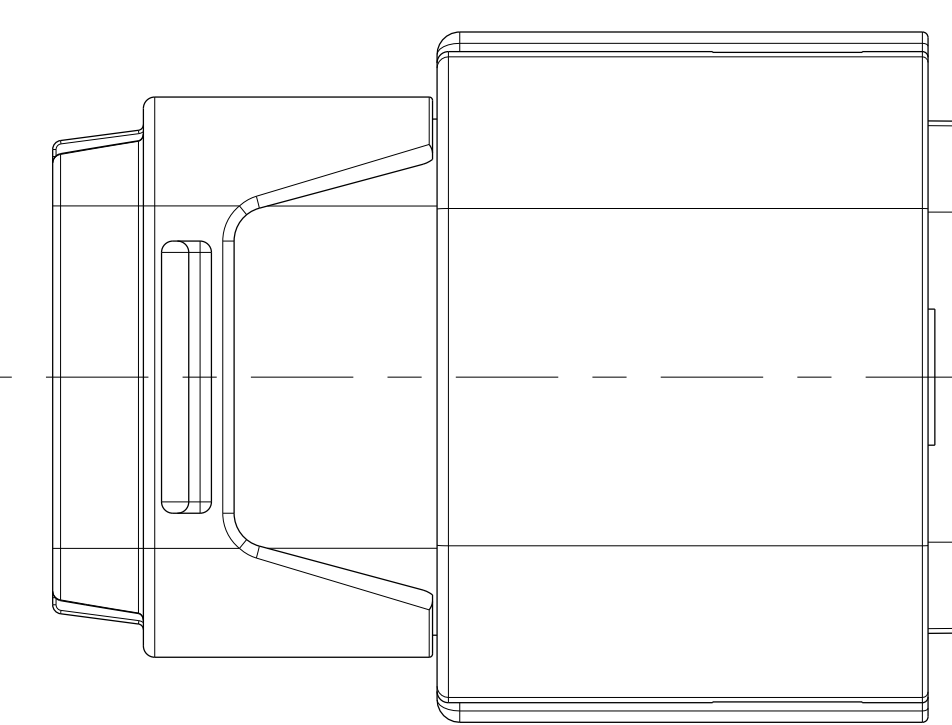
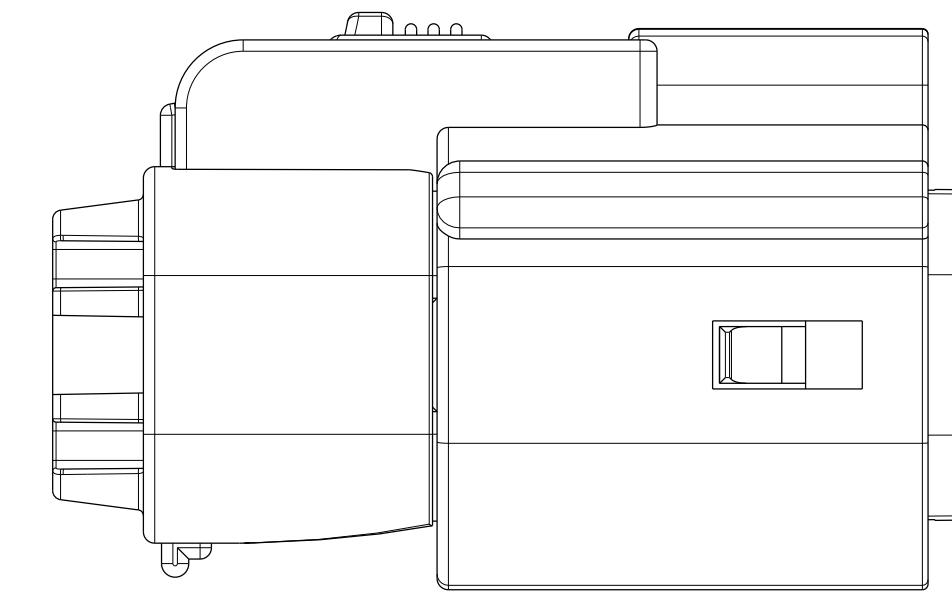
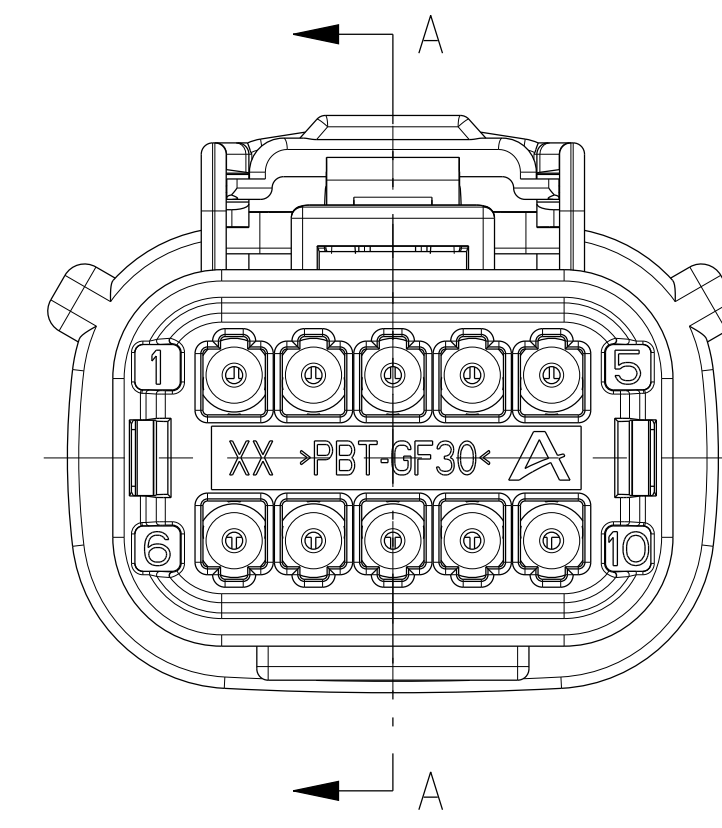
ISO VIEWS, FULL SIZE



SECTION A-A  
CPA & TPA IN PRE-ASSEMBLY POSITION



SECTION A-A  
CPA & TPA IN FINAL ASSEMBLY POSITION



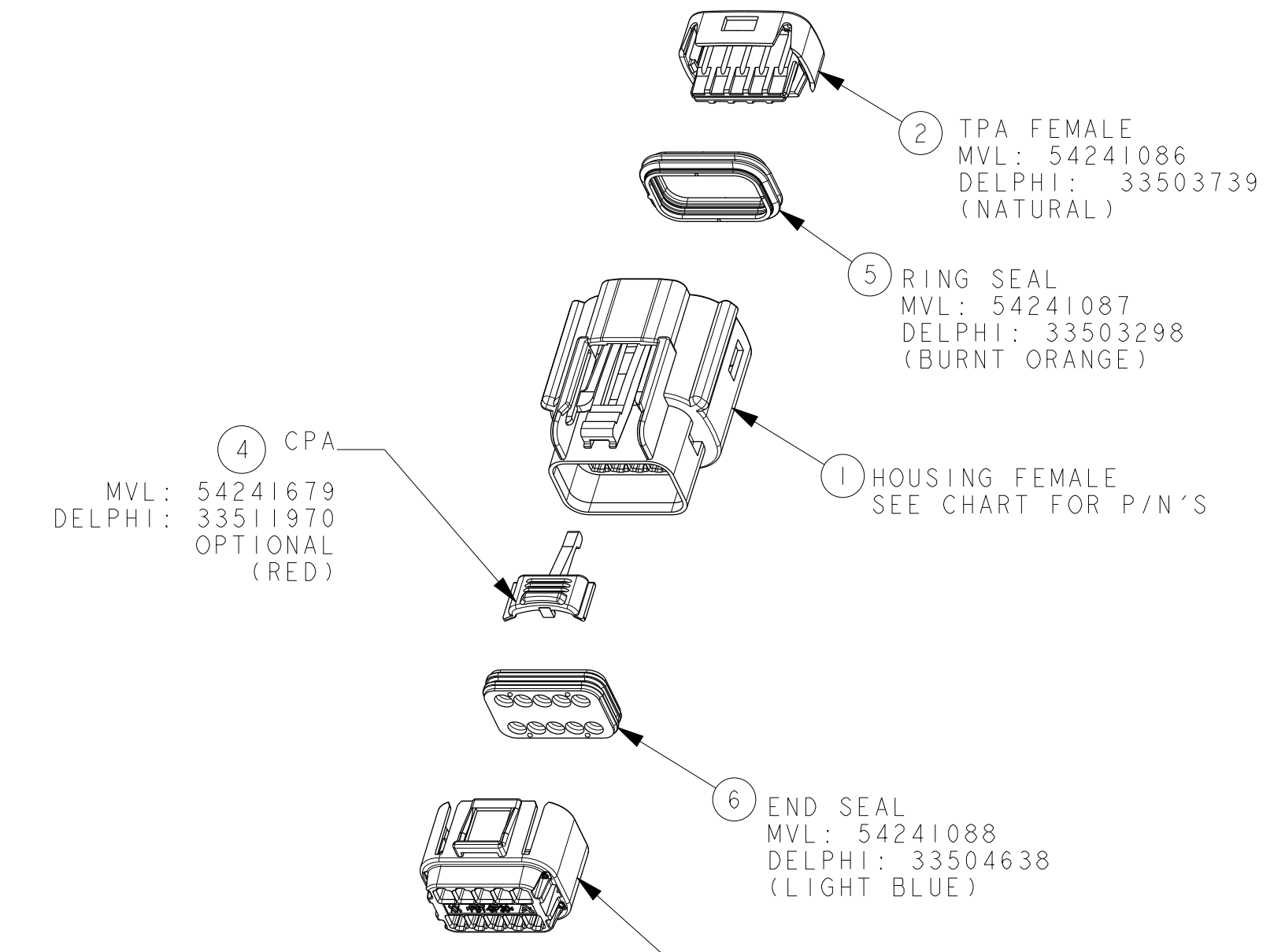
OPTION-A

OPTION-B

OPTION-C

OPTION-D

POLARIZATION OPTIONS



SUPPLIER COMP PART NUMBER	DELPHI PART NUMBER	ITEM DESCRIPTION	PLATING	GRIP SIZE
54001625	13613157	APEX 150 TERMINAL	TIN	16, 18
54002000	13624983	APEX 150 TERMINAL	TIN	20, 22
54001627	13779834	APEX 150 TERMINAL	GOLD	16, 18
54002002	13725913	APEX 150 TERMINAL	GOLD	20, 22
54241629	13613164	1.5 UNIVERSAL SEAL PLUG	-	-

ITEM	PART NUMBERS		DESCRIPTION	MATERIAL	COLOR
	MVL	DELPHI			
2	54241086		TPA FEMALE	PBT GF30	NATURAL
5	54241087		RING SEAL	SILICONE	BURNT ORANGE
6	54241088		MAT SEAL	SILICONE	LIGHT BLUE

- NOTES:
- MAXIMUM TEMPERATURE CLASS: CLASS 3 (125°C)
  - TEST METHOD PER: SAE/USCAR-2 REV-4, SAE/USCAR-20 REV-2
  - CONNECTOR MAY BE USED WITH THE FOLLOWING RANGE OF WIRE SIZES/TYPES: -SIZE 22 GAGE- 16 GAGE- 1.50mm MIN O.D. TO 2.41mm MAX O.D. -TYPE: TXL (MIL123-A /MS-8288) -CONTACT MVL ENGINEERING REGARDING USE OF OTHER WIRE TYPES AND/OR SIZES
  - CONNECTOR MAY BE USED WITH THE FOLLOWING TERMINALS: -MVL APEX150 WITH WIRE SIZES DEFINED IN NOTE 3 -SEE MVL DRAWING J54009 FOR SPECIFIC PART NUMBERS AND CRIMPING REQUIREMENTS. -CONTACT MVL ENGINEERING REGARDING USE OF COMPATIBLE NON MVL TERMINALS
  - ANNUAL QUALITY REQUIREMENTS: IT IS PERMISSIBLE TO PERFORM CONTINUOUS CONFORMANCE PER MVL SPECIFICATION #AQA-001 INSTEAD OF ANNUAL LAYOUT AND ANNUAL PV REQUIREMENTS OF QS-9000 SECTION 2 AND SAE/USCAR-2 REV-4
  - INTERFACE REQUIREMENTS: MATES WITH MVL CONNECTORS AS SPECIFIED IN CHART AND WITH DEVICES THAT CONFORM TO USCAR ISO-S-010-2-201

14-04142	ALL	ECO 456013 - REVISED & REBRAND ON DELPHI TITLE BLOCK ADDED DPN'S. REV LEVELS FOR MVL PARTS. PART NUMBER CHART UPDATED. ECL REPLACED BY MVL VIEWS RELOCATED.
ECN-NO.	ZONE	CHANGE DESCRIPTION
PROJECT SPEC	PACKAGING SPEC	APPLICATION SPEC
APEX 150		
REVISIONS	SEE DRAWING	MATERIAL: SEE TABLE
DATE	NAME	TITLE
20100801	BOB BARK	ASSEMBLY 10 WAY FEMALE
20100801	BOB BARK	APEX 150
20100801	BOB BARK	
FILE NAME	K54002	DOCUMENT UNDER PEE CONTROL. NO MODIFICATION ALLOWED OUTSIDE

## X-ON Electronics

Largest Supplier of Electrical and Electronic Components

*Click to view similar products for [Automotive Connectors](#) category:*

*Click to view products by [APTIV](#) manufacturer:*

Other Similar products are found below :

[003-018-000](#) [60403001](#) [60993906-B](#) [629515004020001](#) [M902-2131](#) [M902-2161](#) [72.330.1035.1](#) [73.353.4028.0](#) [F119300-B](#) [F166900](#)  
[F258300-B](#) [F358300-B](#) [F407400](#) [F444110](#) [F487000](#) [F509500B-B](#) [827153-1](#) [8N1515-32-24P](#) [9-1326729-8](#) [925474-1](#) [928905-1](#) [964562-4](#)  
[968782-1](#) [GT17SA-8DS-HU](#) [98891-1012](#) [98947-1016](#) [12004475-L](#) [12010290](#) [12010309-B](#) [12015454](#) [12020219-B](#) [12020308](#) [12041318-B](#)  
[12052225-L](#) [12052466](#) [12059125](#) [12064869](#) [12004327-B](#) [12010503-B](#) [12015308](#) [12015384](#) [12015909](#) [1-21030-1](#) [12041254](#) [12041318](#)  
[12047946-B](#) [12047957](#) [12047957-L](#) [12059473](#) [12066261](#)