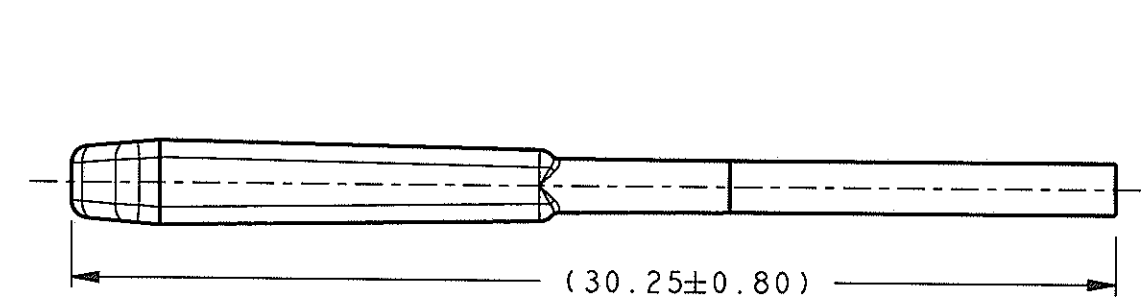
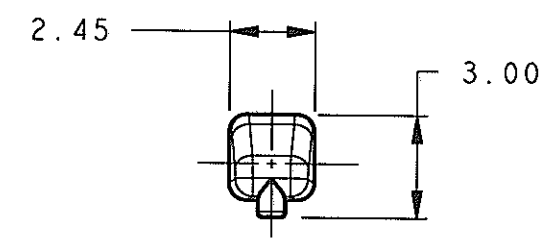


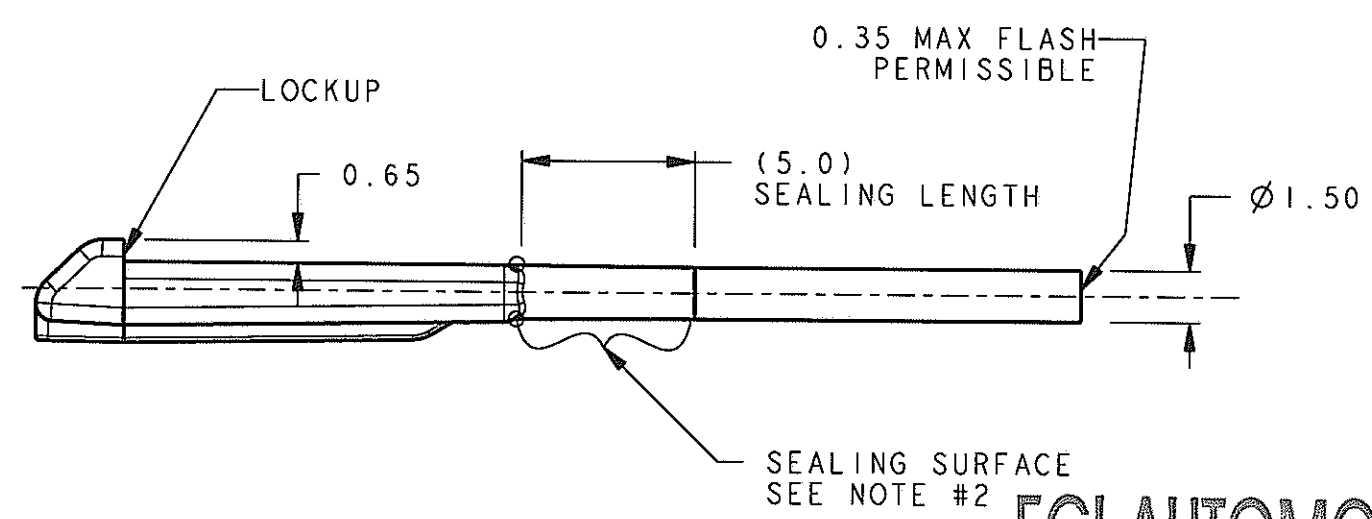
DRAWING NUMBER	K36013-CUST	REVISION	D	SHEET	1/1	APPROVAL LEVEL
DRAWING						



SCALE 1:1



VIEW DIMENSIONS
MEASURED AT LOCKUP ONLY



FCI AUTOMOTIVE


UNCONTROLLED

DEC 17 2007

MASTER COPY
WHEN
IN RED

AMERICAS

NOTES : UNLESS OTHERWISE SPECIFIED

- DIMENSIONS AND TOLERANCING PER ASME Y14.5M-1994.
- SEALING SURFACE MUST BE W/O PARTING LINE, MISMATCH, OR GATES, ALL AROUND.
-  QUALITY ASSURANCE REQUIREMENTS SPC DATA REQUIRED: (MOLD PROCESS PARAMETERS)

10070	12/11/07	D	-	RELEASED FOR CUSTOMER USE	RCB	RCB	SSS
ECN-NUMBER	DATE M-D-YY	REVISION	ZONE	CHANGE DESCRIPTION	DRAWN BY	CHK. BY	APPR. BY
PRODUCT SPEC.	PACKAGING SPEC.	APPLICATION SPEC.	THIS DRAWING AND ALL OTHER INFORMATION CONTAINED THEREIN IS PROPRIETARY AND THE PROPERTY OF FCI. This drawing may not be copied, reproduced or disclosed to any third party without the expressed written permission of FCI. © FCI April 1999				
APEX 150							
TOLERANCES X.XX ±0.10	MATERIAL : P466 GF 35 BASF A3EG7 100% REGRIND OK	SURFACE FINISH					CAD SYSTEM pro / eng.
COSMETIC PART NO.	COLOR : NATURAL						3RD ANGLE DIMENSION IN MILLIMETERS A3
DO NOT SCALE DRAWING	TOOL NO. M410-CUST	ECO Loc. Code NA					DRAWING NUMBER K36013-CUST
	DATE	NAME	TITLE				SHEET 1/1
	12/10/07	R. BAUMAN	UNIVERSAL SEAL PLUG (APEX 150 TERMINAL SYSTEM)				
	12/10/07	R. BAUMAN					
	12/10/07	S. SIAN					
54241629			ESR NO. AM-040219A-1	CAT. NO.	FILE NAME	K36013-CUST	SCALE 5:1
FCI PART NO.							

loc-FZD8

X-ON Electronics

Largest Supplier of Electrical and Electronic Components

Click to view similar products for [Automotive Connectors](#) category:

Click to view products by [APTIV](#) manufacturer:

Other Similar products are found below :

[003-018-000](#) [60403001](#) [60993906-B](#) [629515004020001](#) [M902-2131](#) [M902-2161](#) [72.330.1035.1](#) [73.353.4028.0](#) [F119300-B](#) [F166900](#)
[F258300-B](#) [F358300-B](#) [F407400](#) [F444110](#) [F487000](#) [F509500B-B](#) [827153-1](#) [8N1515-32-24P](#) [9-1326729-8](#) [925474-1](#) [928905-1](#) [964562-4](#)
[968782-1](#) [GT17SA-8DS-HU](#) [98891-1012](#) [98947-1016](#) [12004475-L](#) [12010290](#) [12010309-B](#) [12015454](#) [12020219-B](#) [12020308](#) [12041318-B](#)
[12052225-L](#) [12052466](#) [12059125](#) [12064869](#) [12004327-B](#) [12010503-B](#) [12015308](#) [12015384](#) [12015909](#) [1-21030-1](#) [12041254](#) [12041318](#)
[12047946-B](#) [12047957](#) [12047957-L](#) [12059473](#) [12066261](#)