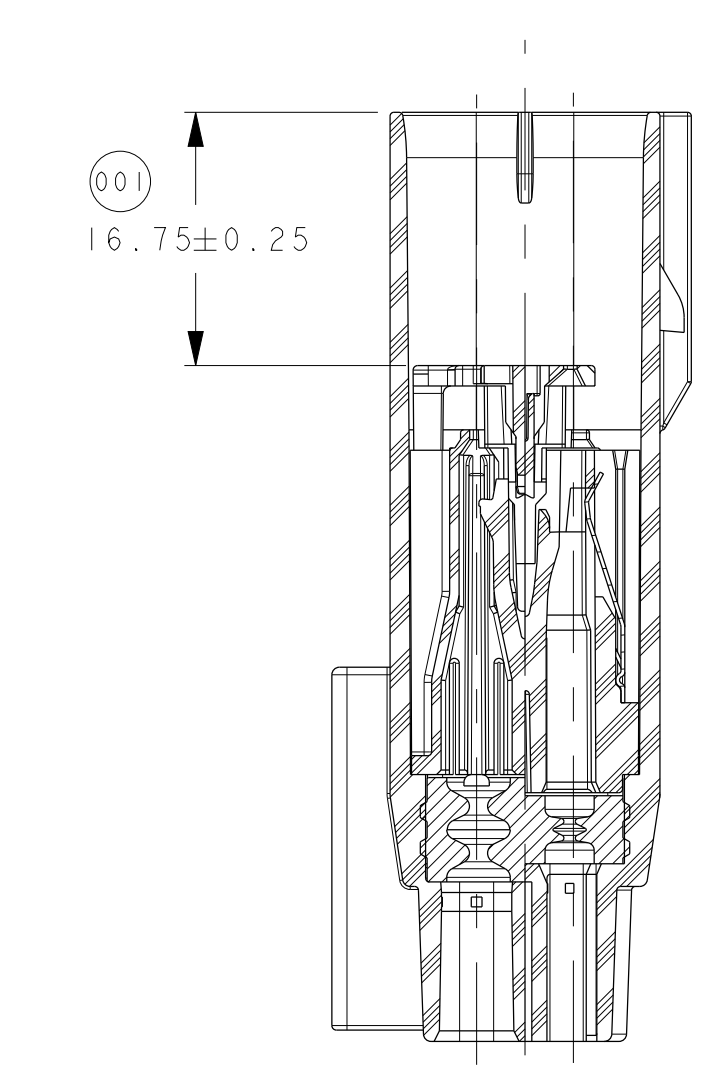
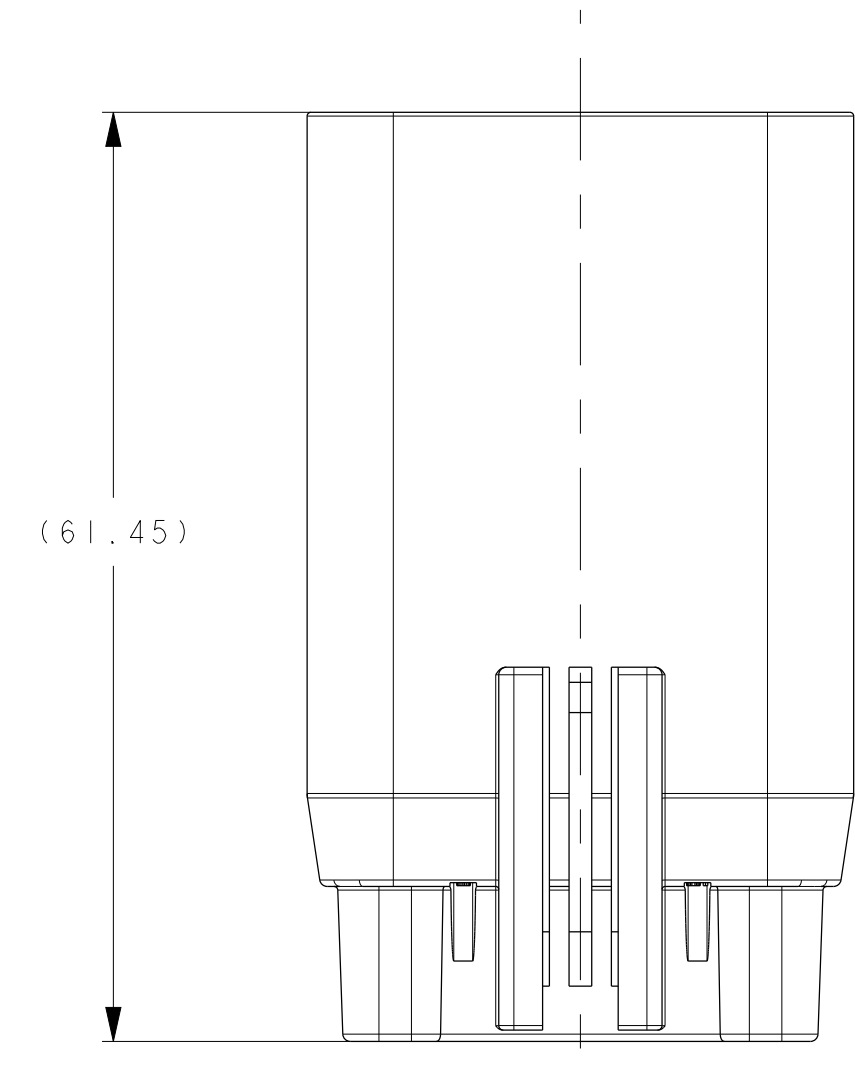
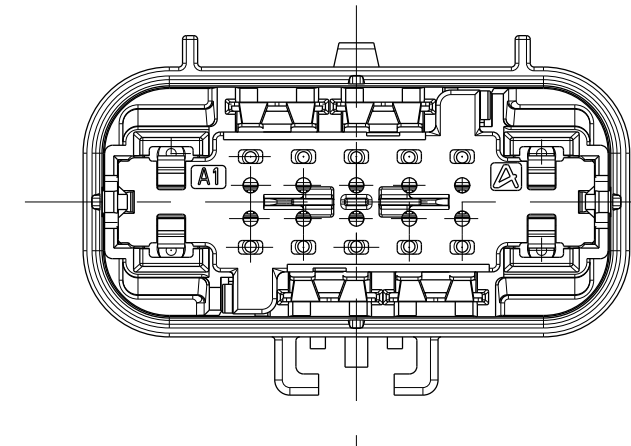
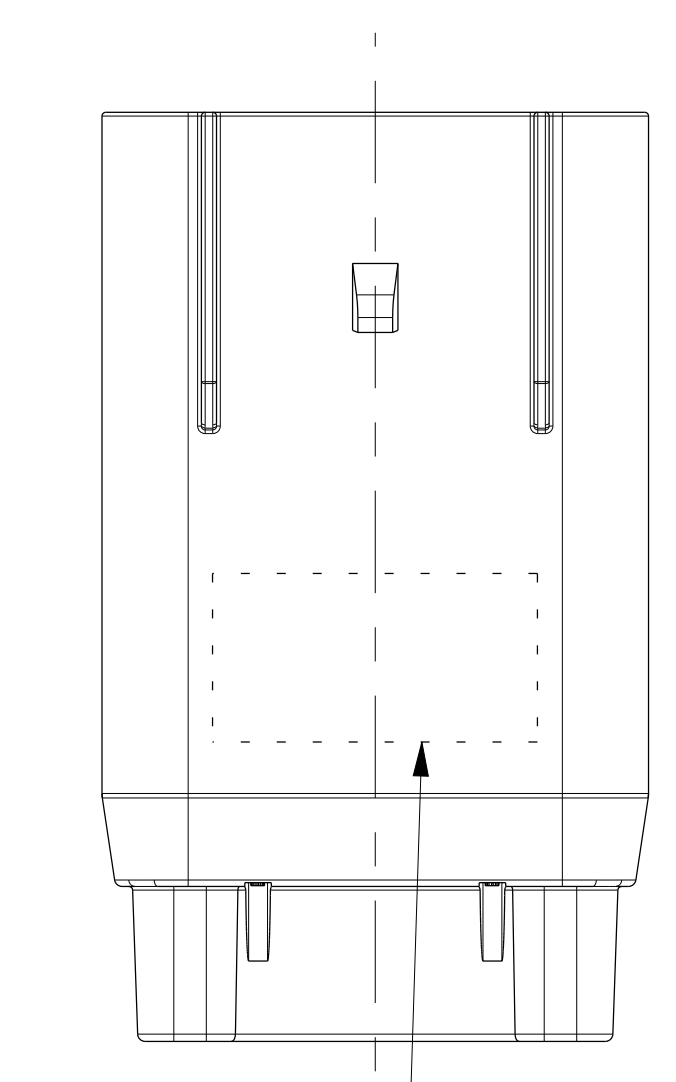


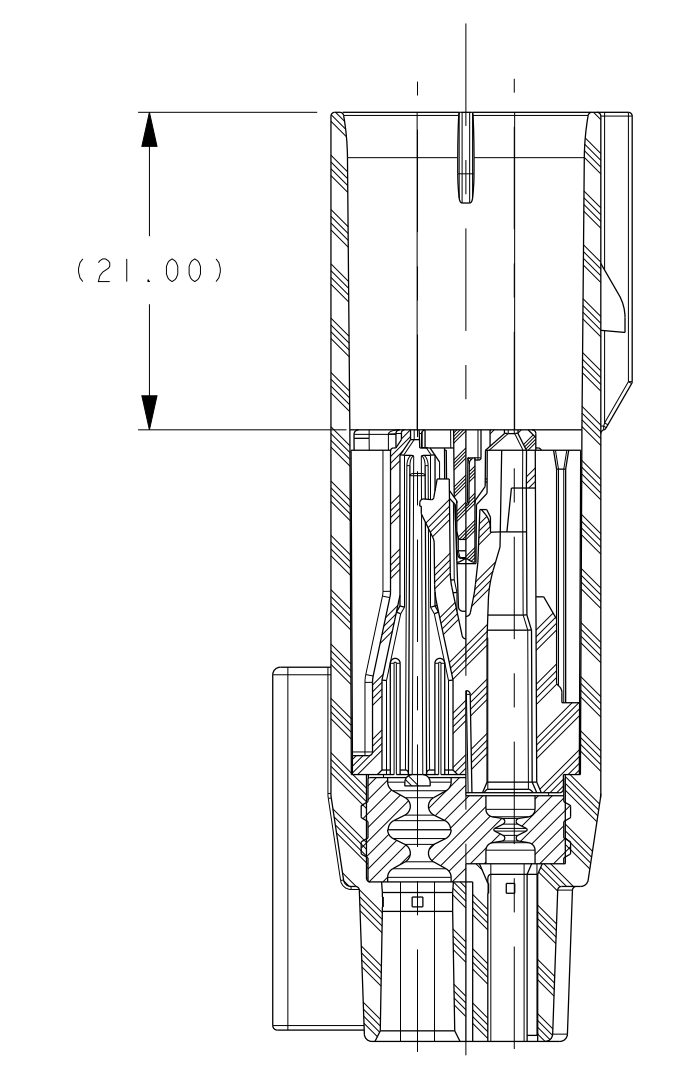
ASSEMBLY PART NUMBERS	KEY TYPE	COLOR	CLIP SLOT TYPE	COMPONENTS				Plugged (X) Seal Positions				Circuit Totals				Notes With Assembly (Reference only)					
				HOUSING		SHORTING BAR		1	2	3	4	5	6	7	8	9	10	11	12	13	14
				MVL	DELPHI	MVL	DELPHI														
54251400	D	13694022	01	A	BLACK	54251454	33503643														
54251401	D	13977355	01	B	GREY	54251455	33503644														
54251402	D	13977354	01	C	BROWN	54251456	33503645														
54251403	D	33500168	01	D	GREEN	54251457	33503646														
54251404	D	33500169	01	A	BLACK	54251458	33503647														
54251405	D	33500170	01	B	GREY	54251459	33503648														
54251406	D	33500171	01	C	BROWN	54251460	33503649														
54251407	D	33500172	01	D	GREEN	54251461	33503650														
54251408	D	15503367	01	E	YELLOW	54251462	33503651														
54251409	D	33500173	01	F	YELLOW	54251463	33503652														
54251410	D	33500174	01	G	YELLOW	54251464	33503653														
54251411	D	33500175	01	H	YELLOW	54251465	33503654														
54251434	D	33510945	01	E	YELLOW	54251438	33503628														
54251435	D	33510946	01	F	YELLOW	54251439	33503629														
54251436	D	13694023	01	G	YELLOW	54251440	33503630														
54251437	D	33510947	01	H	YELLOW	54251441	33503631														
54251412	D	13878051	01	A	BLACK	54251442	33511963														
54251413	D	33500176	01	B	GREY	54251443	33503632														
54251414	D	33500177	01	A	BLACK	54251446	33503635														
54251415	D	33500178	01	B	GREY	54251447	33503636														
54251416	D	33500179	01	A	BLACK	54251442	33511963														
54251417	D	33500180	01	B	GREY	54251443	33503632														
54251418	D	33500181	01	A	BLACK	54251446	33503635														
54251419	D	33500182	01	B	GREY	54251447	33503636														
54251420	D	33500183	01	A	BLACK	54251442	33511963														
54251421	D	33500184	01	B	GREY	54251443	33503636														
54251422	D	33500185	01	A	BLACK	54251446	33503635														
54251423	D	33500186	01	B	GREY	54251447	33503636														
54251424	D	33500187	01	A	BLACK	54251442	33511963														
54251425	D	33500188	01	B	GREY	54251443	33503632														
54251426	D	33500189	01	A	BLACK	54251446	33503635														
54251427	D	33500190	01	B	GREY	54251447	33503636														
54251428	D	33500191	01	A	BLACK	54251442	33511963														
54251429	D	33500192	01	B	GREY	54251443	33503636														
54251430	D	33500193	01	A	BLACK	54251446	33503635														
54251431	D	33500194	01	B	GREY	54251447	33503636														
54251432	D	33510948	01	A	BLACK	54251442	33511963														
54251433	D	33510949	01	B	GREY	54251443	33503632														
54261400	D	33511657	01																		
54261401	D	33511658	01																		
54261402	D	33511659	01	A	BLACK	54251442	33511963														
54261403	D	33511660	01																		
54261404	D	33511661	01																		
54261405	D	33511662	01																		
54261406	D	33511663	01																		
54261407	D	33511664	01	B	GREY	54251443	33503632														
54261408	D	33511665	01																		
54261409	D	33511666	01																		
54261410	D	33511667	01																		
54261411	G	33511668	01																		
54261412	G	33511669	01																		
54261413	G	33511670	01																		
54261414	G	33511671	01																		
54261415	G	33511672	01																		
54261416	G	33510950	01																		
54261417	G	33510951	01																		
54261418	G	33510952	01	E	YELLOW	54251450	33503639	54251496	15508084												
54261419	G	33511673	01																		
54261420	G	33511674	01																		
54261421	G	33511675	01																		
54261422	G	33510953	01																		
54261423	G	33510954	01																		
54261424	H	33511676	01																		
54261425	L	33511677	01																		
54261426	H	33511678	01																		
54261427	H	33511679	01																		
54261428	H	33511680	01																		
54261429	H	33511681	01																		
54261430	H	33511682	01																		
54261431	H	33511683	01																		
54261432	H	33511684	01																		
54261433	J	33510955	01																		
54261434	J	33511935	01																		
54261435	J	33510957	01																		
54261436	J	33510958	01																		
54261437	K	33511685	01																		
54261438	K	33511686	01																		
54261439	K	33511687	01																		
54261440	L	33511690	01	A	BLACK	54251442	33511963														
54261441	L	33510959	01																		
54261442	L	33510960	01																		
54261443	L	33511691	01																		
54261444	L	33511688	01																		
54261445	L	33511689	01																		
54261446	L	33510961	01																		
54261447	M	33510962	01																		
54261448	N	33510963	01																		
54261449	P	33510964	01																		
54261450	S	33510965	01																		
54261451	T	33510966	01																		
54261452	T	33510967	01																		
54261453	T	33510968	01																		
54261454	T	33510969	01																		
54261455	T	33510970	01																		
F045300	U	13768583	01																		
F145300	U	13768584	01	B	GREY	54251443</															



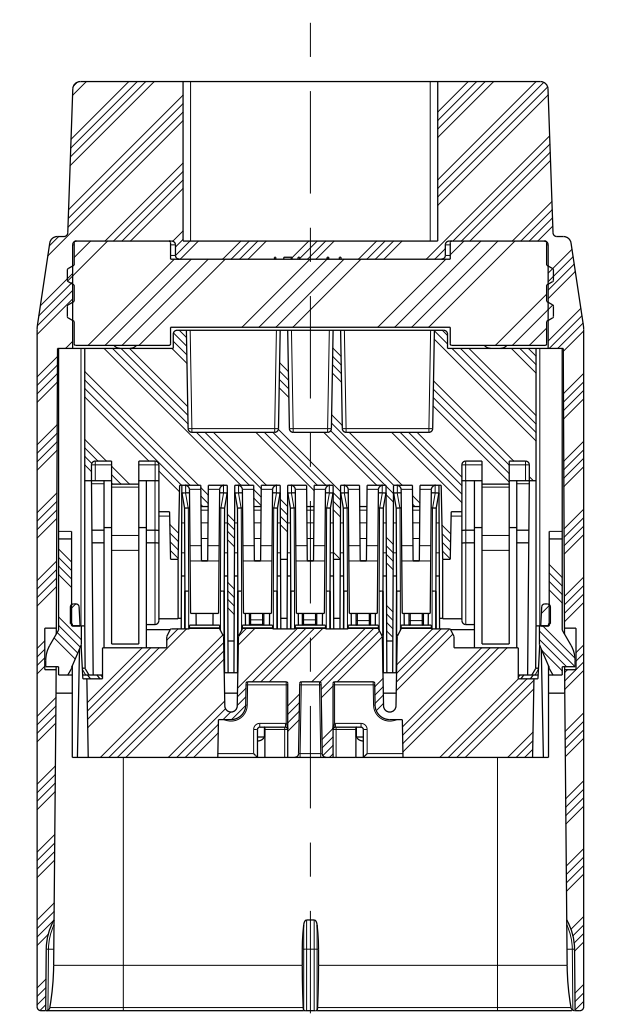
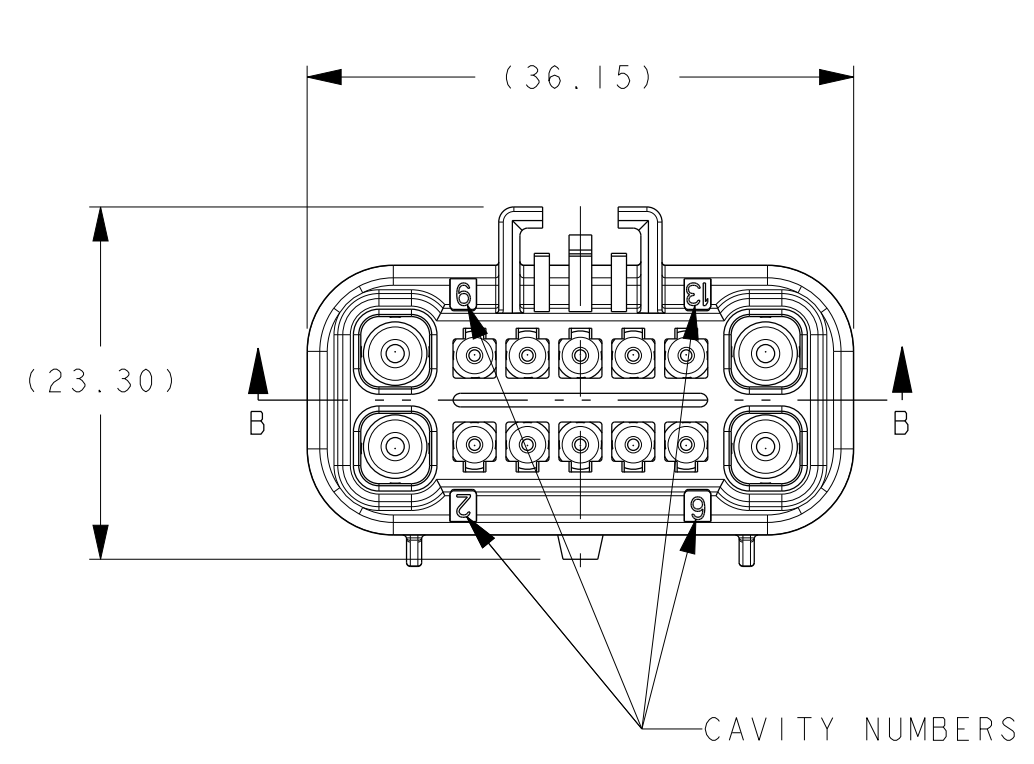
SECTION A-A  
TPA IN PRE-LOCK POSITION



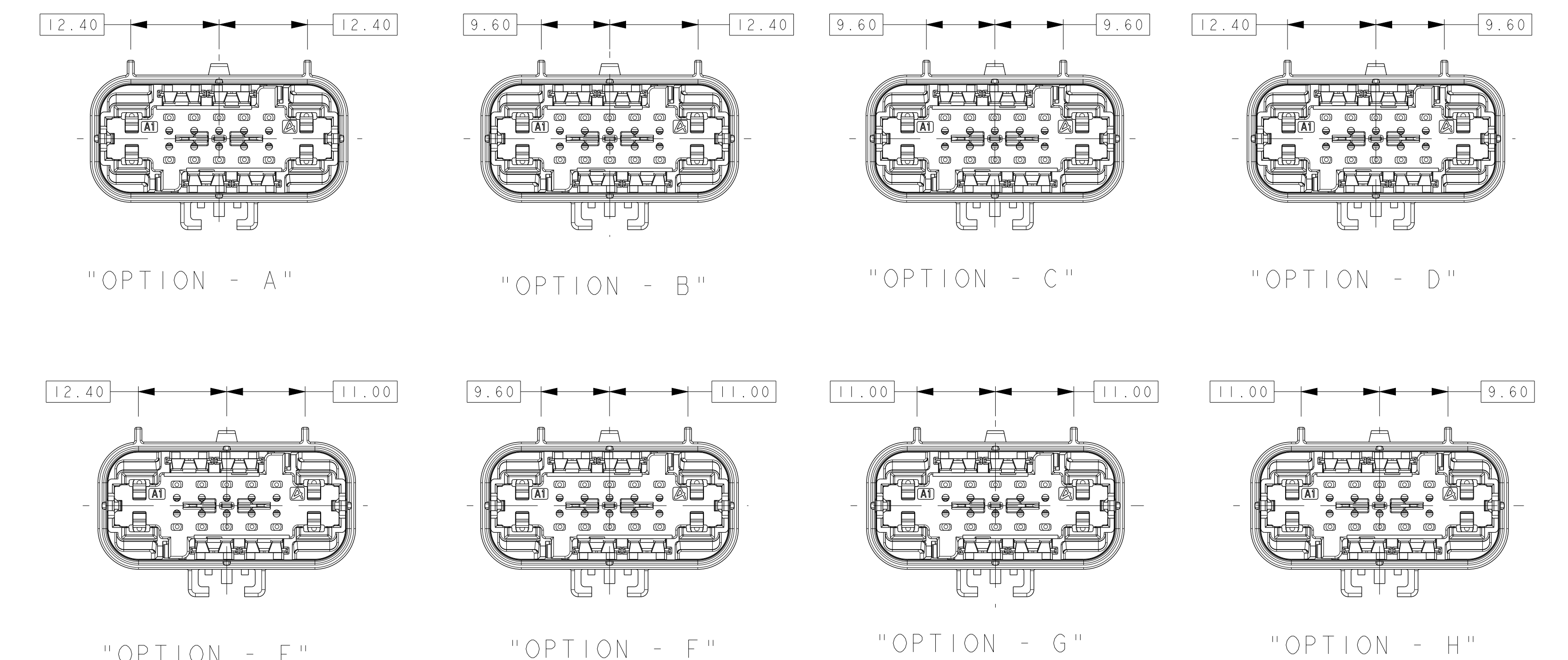
ASSEMBLY NUMBER  
DATE CODE  
THIS AREA



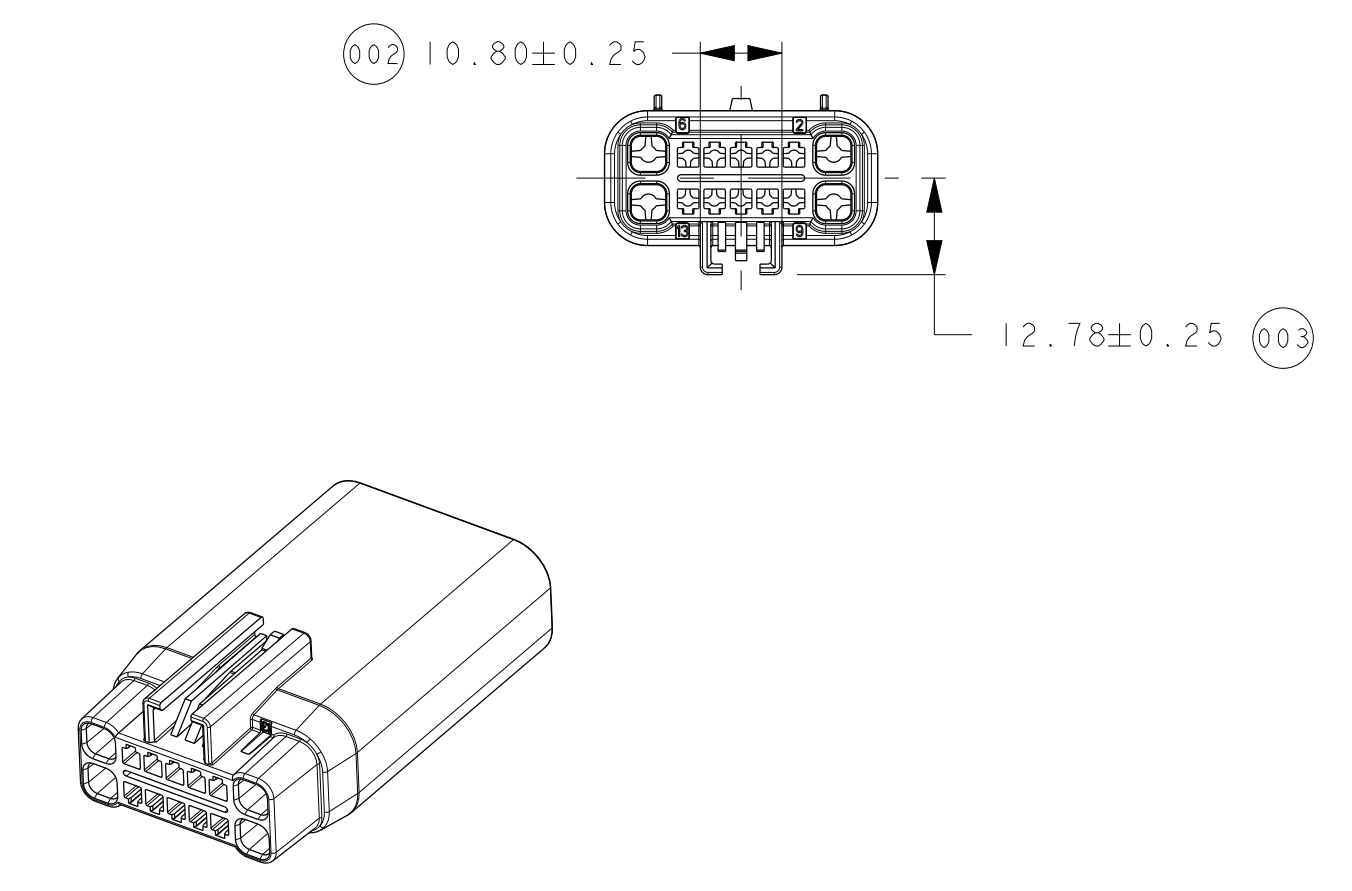
SECTION A-A  
SCALE 2.000  
TPA IN FINAL POSITION



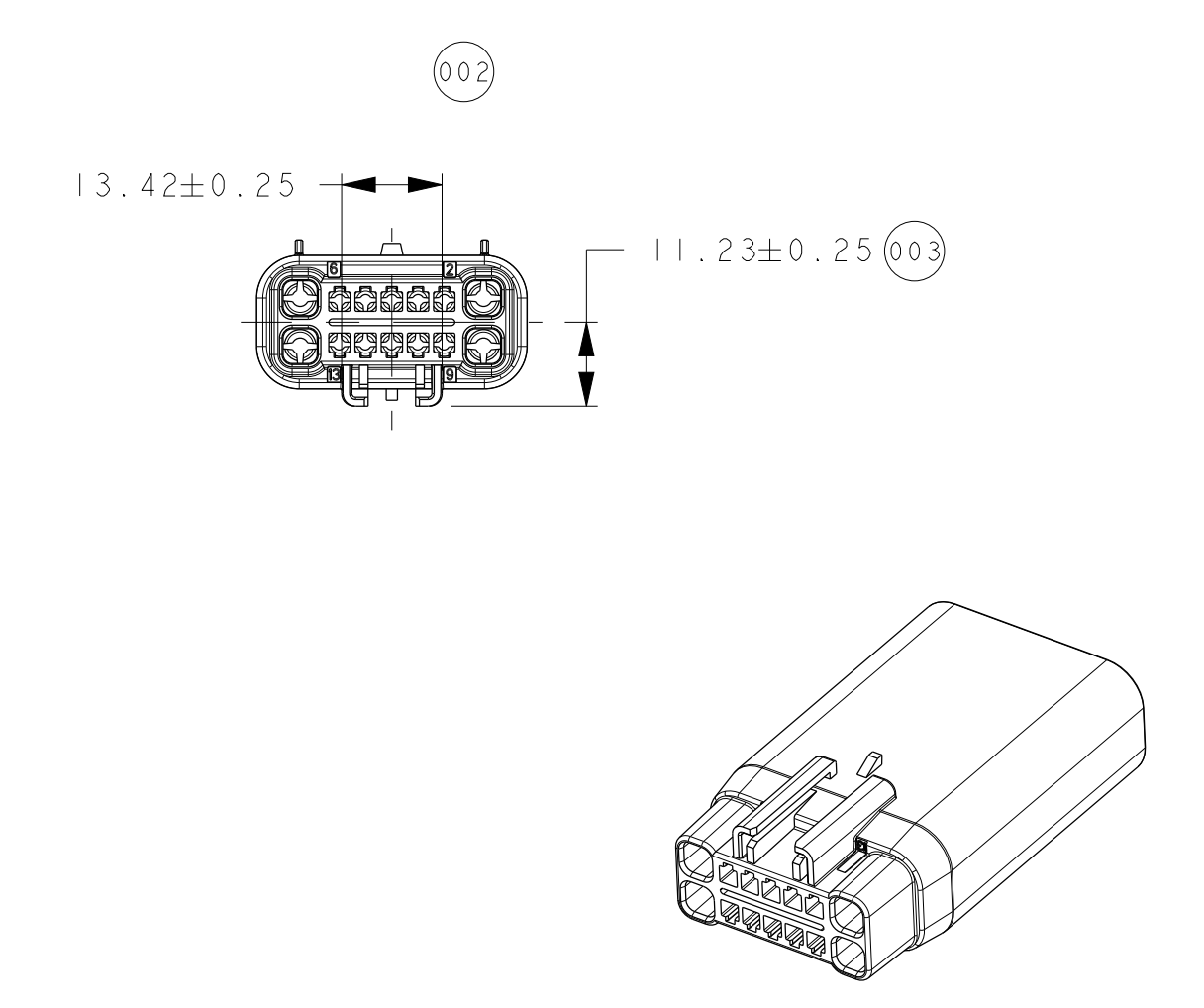
SECTION B-B



POLARIZATION OPTIONS



CLIP SLOT TYPE - 1



CLIP SLOT TYPE - 2

ACTUAL SIZE VIEWS

APPLICABLE COMPONENTS				
SUPPLIER		ITEM DESCRIPTION	PLATING	GRIP SIZE
MVL	DELPHI			
54001626	13630404	APEX 150 TERMINAL	TIN	16, 18
54002001	13624759	APEX 150 TERMINAL	TIN	20, 22
54001628	15520260	APEX 150 TERMINAL	GOLD	16, 18
54002003	15520262	APEX 150 TERMINAL	GOLD	20, 22
54001629	15520261	APEX 150 TERMINAL-FOR SHORTING BAR	GOLD	16, 18
54002004	33500641	APEX 150 TERMINAL-FOR SHORTING BAR	GOLD	20, 22
54001001	10762774	APEX 2.8 TERMINAL	TIN	12
54001401	10757692	APEX 2.8 TERMINAL	TIN	14, 16
54001801	10762775	APEX 2.8 TERMINAL	TIN	18
54240003	13765188	APEX 150 2.8mm SEAL PLUG - MALE	-	-
54241629	13613164	APEX 150 UNIVERSAL SEAL PLUG	-	-
54200010	13768145	DBL X-MASTREE CLIP W/FORWARD STOP (FOR TYPE 1 CLIPSLOT ONLY)	-	-

COMMON PART NUMBER CHART ONE EACH INCLUDED IN ASSEMBLY				
ITEM	PART NUMBERS		DESCRIPTION	MATERIAL
	MVL	DELPHI		
2	54251498	33511965	TPA	PBT GF30
3	54251499	33511969	TC1	PBT GF30
4	54251497	33511964	END SEAL	SILICONE

- NOTES:
- 1) MAXIMUM TEMPERATURE CLASS: CLASS 111 (125°C)
  - 2) TEST METHOD PER: SEE CHART
  - 3) CONNECTOR MAY BE USED WITH THE FOLLOWING RANGE OF WIRE SIZES AND/TYPES:
    - APEX 150 TERMINALS:
      - SIZE: 22 GAGE- 16 GAGE- 1.50mm MIN O.D. TO 2.41mm MAX O.D.
      - TYPE: TXL (MIL123-A / MS-8288)
      - ALTERNATELY:
        - SIZE: 0.75mm<sup>2</sup> TO 1.5mm<sup>2</sup> / 1.70mm MIN O.D. TO 2.40mm MAX O.D.
        - TYPE: FLR2X (125°C PE-X) or FLRYW (125°C PVC)
        - (STRUCTURE & PROPERTIES PER ISO6722)
    - APEX 2.8 TERMINALS:
      - SIZE: 18 GAGE- 12 GAGE- 1.90mm MIN O.D. TO 3.30mm MAX O.D.
      - TYPE: TXL (MIL123-A / MS-8288)
      - ALTERNATELY:
        - SIZE: 1.00mm<sup>2</sup> TO 2.5mm<sup>2</sup> / 1.90mm MIN O.D. TO 3.00mm MAX O.D.
        - TYPE: FLR2X (125°C PE-X) or FLRYW (125°C PVC)
        - (STRUCTURE & PROPERTIES PER ISO6722)
  - 4) CONNECTOR MAY BE USED WITH THE FOLLOWING TERMINALS:
    - MVL APEX150 AND APEX 2.8 WITH WIRE SIZES DEFINED
    - IN NOTE 3: SEE MVL DRAWINGS J54011 AND C15005 FOR SPECIFIC PART NUMBERS AND CRIMPING REQUIREMENTS.
    - CONTACT MVL ENGINEERING REGARDING USE OF COMPATIBLE NON MVL TERMINALS
  - 5) ANNUAL QUALITY REQUIREMENTS: IT IS PERMISSIBLE TO PERFORM CONTINUOUS CONFORMANCE PER MVL SPECIFICATION #AQA-001 INSTEAD OF ANNUAL LAYOUT AND ANNUAL PV REQUIREMENTS OF QS-9000 SECTION 2 AND SAE/JUSCAR-2
  - 6) PART VALIDATION: SHORTING BAR PER SAE/JUSCAR-2 REV 4 TEMP CLASS 1 (-40°C +85°C) IN-LINE PER SAE/JUSCAR-2 REV 4 TEMP CLASS 3 (-40°C +125°C) IN-LINE PER SAE/JUSCAR-20 REV 2

REV	DATE	DESCRIPTION	BY	CHKD
1		SEE SHEET #1 FOR CHANGE DESCRIPTION		

PROJECT SPEC: PACKING SPEC: APPLICATION SPEC: COPYRIGHT: DELPHI CORPORATION AND/OR ITS AFFILIATES. ALL RIGHTS RESERVED. REVISIONS: THIS DRAWING IS THE PROPERTY OF DELPHI CORPORATION AND CONTAINS DELPHI CONFIDENTIAL INFORMATION. THE REPRODUCTION, DISTRIBUTION AND UTILIZATION OF THIS DOCUMENT BY ANY OTHER PARTY WITHOUT THE WRITTEN CONSENT OF DELPHI IS PROHIBITED.

DRAWING TITLE: ASSEMBLY 14 WAY HYBRID MALE  
 PROJECT: APEX 150  
 PART NUMBER: K53001  
 SHEET: 2 OF 2  
 SCALE: 1:1

DELPHI TAXI NUMBER 13886841

## X-ON Electronics

Largest Supplier of Electrical and Electronic Components

*Click to view similar products for [Automotive Connectors](#) category:*

*Click to view products by [APTIV](#) manufacturer:*

Other Similar products are found below :

[003-018-000](#) [60403001](#) [60993906-B](#) [629515004020001](#) [M902-2131](#) [M902-2161](#) [72.330.1035.1](#) [73.353.4028.0](#) [F119300-B](#) [F166900](#)  
[F258300-B](#) [F358300-B](#) [F407400](#) [F444110](#) [F487000](#) [F509500B-B](#) [827153-1](#) [8N1515-32-24P](#) [9-1326729-8](#) [925474-1](#) [928905-1](#) [964562-4](#)  
[968782-1](#) [GT17SA-8DS-HU](#) [98891-1012](#) [98947-1016](#) [12004475-L](#) [12010290](#) [12010309-B](#) [12015454](#) [12020219-B](#) [12020308](#) [12041318-B](#)  
[12052225-L](#) [12052466](#) [12059125](#) [12064869](#) [12004327-B](#) [12010503-B](#) [12015308](#) [12015384](#) [12015909](#) [1-21030-1](#) [12041254](#) [12041318](#)  
[12047946-B](#) [12047957](#) [12047957-L](#) [12059473](#) [12066261](#)