

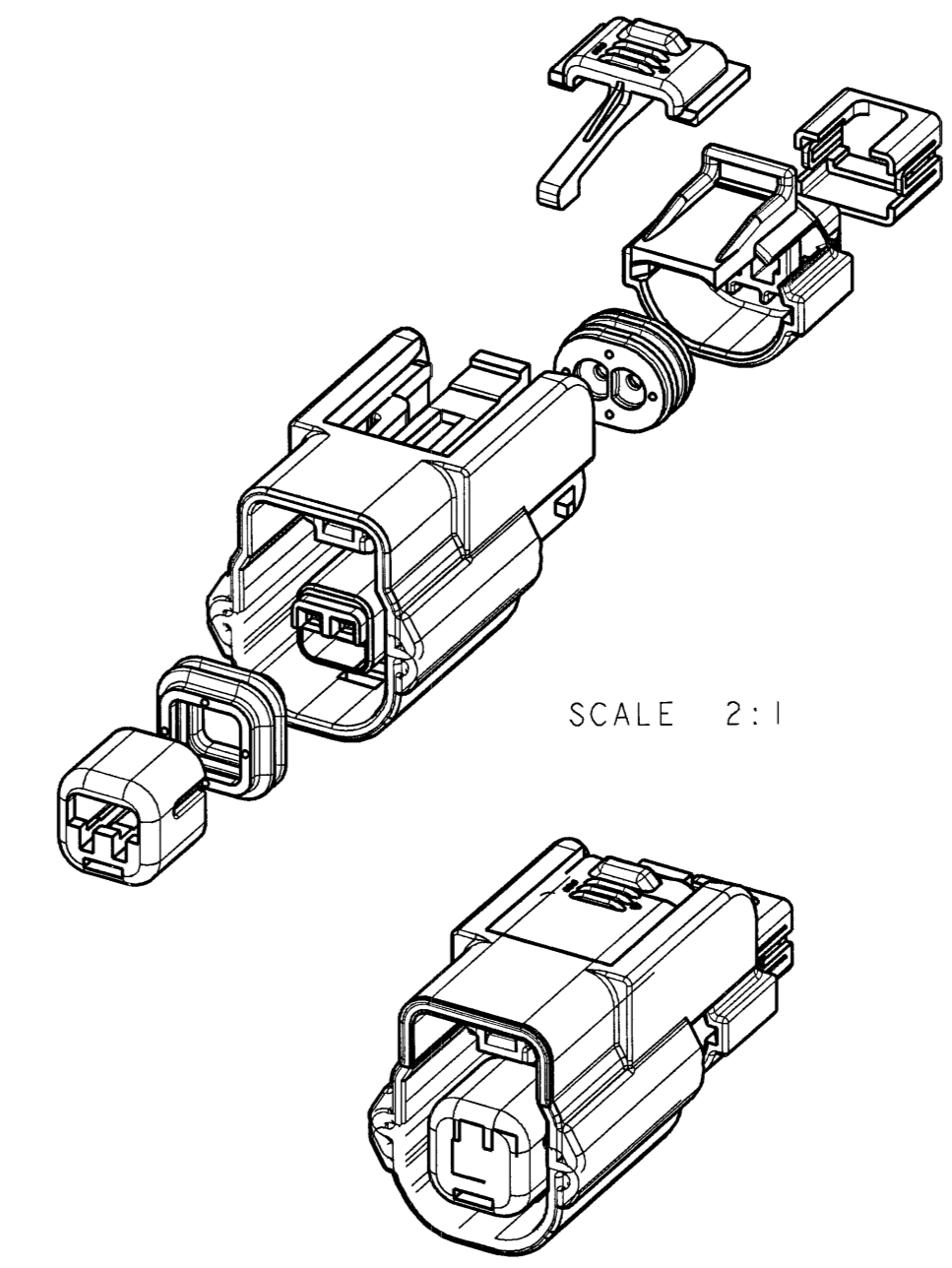
SECTION B-B

CHART-ASSEMBLY PART NUMBERS

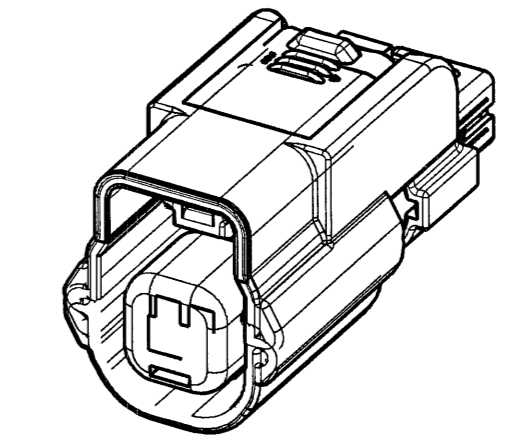
GM PART NUMBER	FCI PART NUMBER	
	W/CPA	W/O CPA
89047381	54390239	54390242N
89047492	54390240	54390241N
TBD	54390241	54390242N
19151432	54390239N	54390240N
19178191	54390239N	54390241N
19178802	54390240N	54390242N
TBD	54390241N	
19178803	54390242N	

REQUIRED	ITEM	DESCRIPTION	COLOR	FCI COMP. P/N	MATERIAL
X	1	FEMALE HOUSING-INDEX A	BLACK	54390244	BASF A3EG7 (GF35% NYLON)
X	1	FEMALE HOUSING-INDEX D	LT. GREY	54390245	BASF A3EG7 (GF35% NYLON)
X	1	FEMALE HOUSING-INDEX C	BROWN	54390246	BASF A3EG7 (GF35% NYLON)
X	1	FEMALE HOUSING-INDEX B	DK, GREY	54390247	BASF A3EG7 (GF35% NYLON)
X X X X X X X X X	2	MAT SEAL RETAINER	BLACK	54390249	BASF A3EG7 (GF35% NYLON)
X X X X X X X X X	3	MAT SEAL	BLUE	54390251	SILICONE
X X X X X X X X X	4	RING SEAL	GREEN	54390250	SILICONE
X X X X X X X X X	5	TERMINAL POSITION ASSURANCE TPA	NATURAL	54390248	BASF A3EG7 (GF35% NYLON)
X X X X X	6	CONNECTOR POSITION ASSURANCE CPA	RED	54390033	BASF A3EG7 (GF35% NYLON)
X	7	90° DRESS COVER*	BLACK	54390252	BASF A3EG7 (GF35% NYLON)

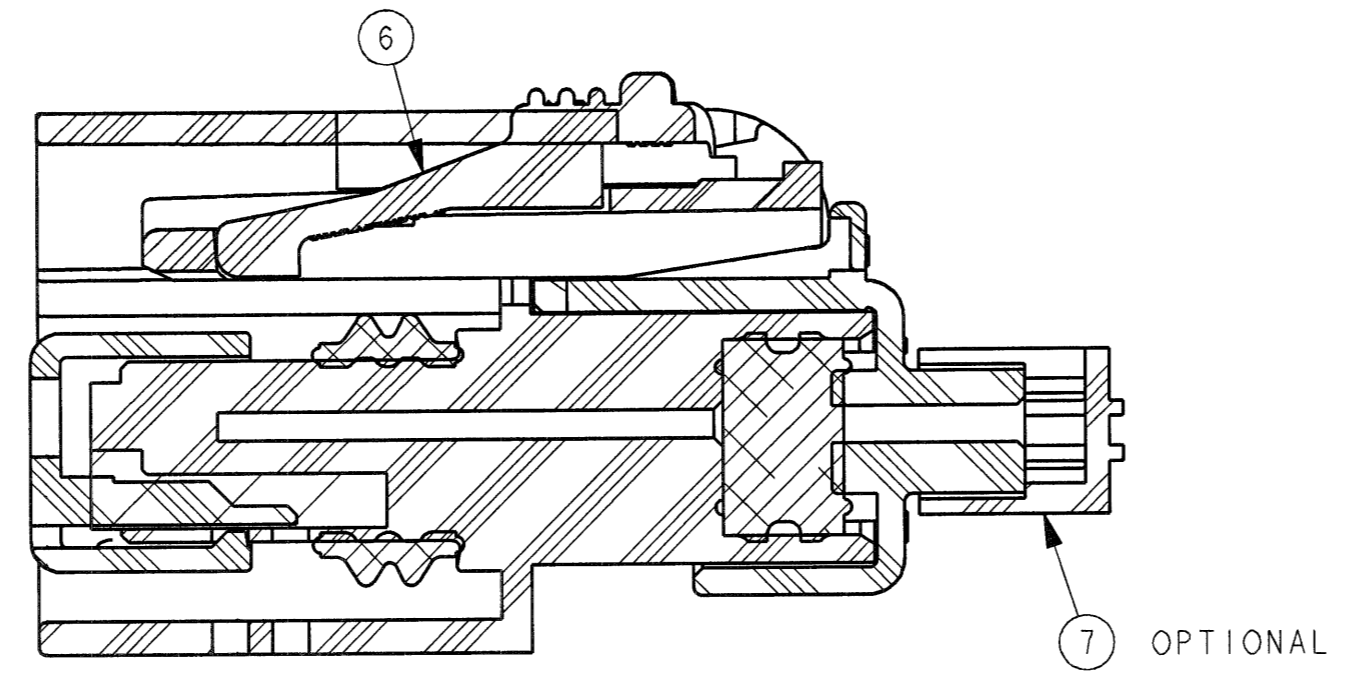
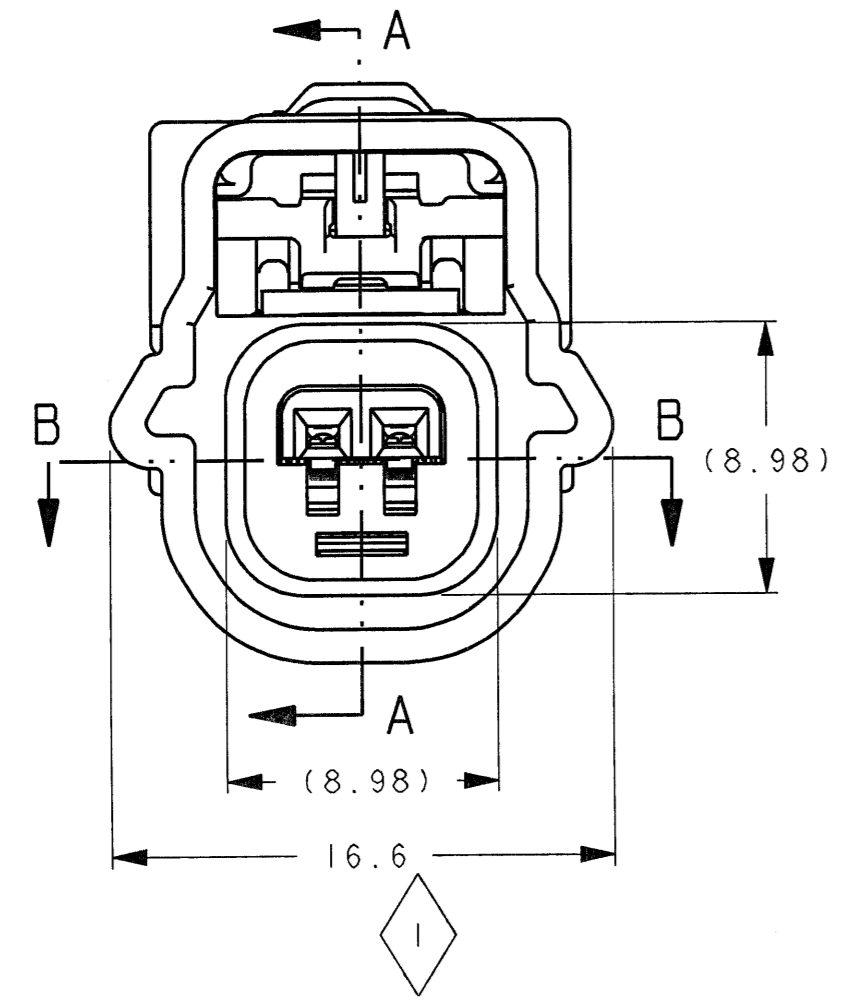
* - OPTIONAL ITEM SHIPPED LOOSE PIECE



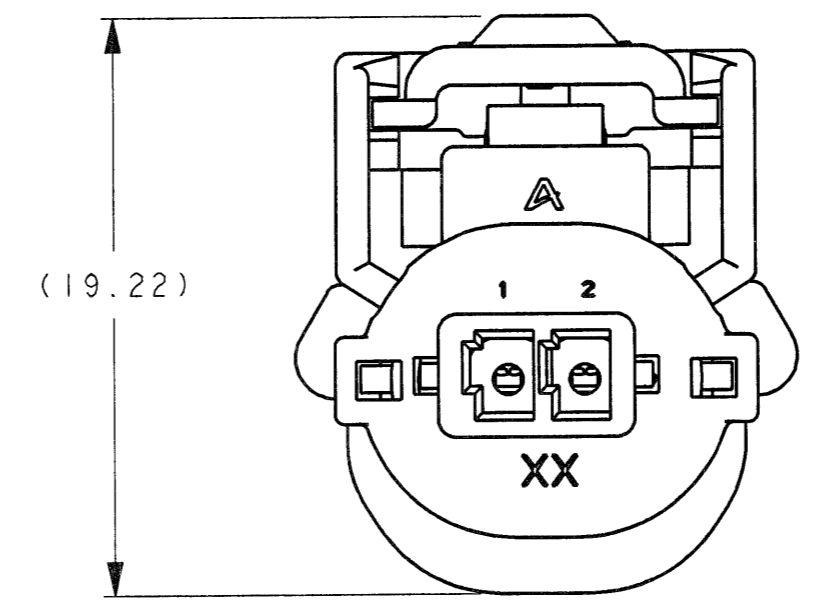
SCALE 2:1



SCALE 2:1



SECTION A-A
TPA SHOWN IN PRE-LOADED POSITION



PART SHOWN W/O 90° DRESS COVER

UNLESS OTHERWISE SPECIFIED:
 TOLERANCE ON:
 1 PLACE DIMENSIONS ±0.30
 2 PLACE DIMENSIONS ±0.10
 ANGULAR DIMENSIONS ±2°

ENGINEERING APPROVAL OF SUPPLIER SAMPLES IS REQUIRED PRIOR TO AUTHORIZATION OF PART PRODUCTION

CHANGES IN DESIGN COMPOSITION OR PROCESSING FROM THE PART PREVIOUSLY APPROVED FOR PART PRODUCTION REQUIRES PRIOR ENGINEERING APPROVAL

ENGINEERING APPROVAL OF SUPPLIER SAMPLES IS REQUIRED FOR WIRE PRIOR TO AUTHORIZATION OF PART PRODUCTION

QUALITY ASSURANCE REQUIREMENTS: 1
 SPC DATA REQUIRED

ASSEMBLY DATE CODE TO BE ON PART OPTIONAL

ALL APPLICATIONS MAY BE USED WITH TXL WIRE INSULATION 20 GAGE THROUGH 22 GAGE WITH A MAX O.D. OF 1.85mm

WIRING FABRICATORS MUST PURCHASE FROM SOURCES SHOWN
 1) FCI AUTOMOTIVE

TPA REMOVAL FORCE 5N MINIMUM

MUST CONFORM TO SAE/USCAR-2 REV. 4 (MAY 2004) WITH NOTED EXCEPTIONS:
 1- 5.4.4 POLARIZATION FEATURE EFFECTIVENESS
 2- 5.4.7 CONNECTOR-TO-CONNECTOR AUDIBLE CLICK
 3- 5.4.9 CAVITY DAMAGE SUSCEPTIBILITY

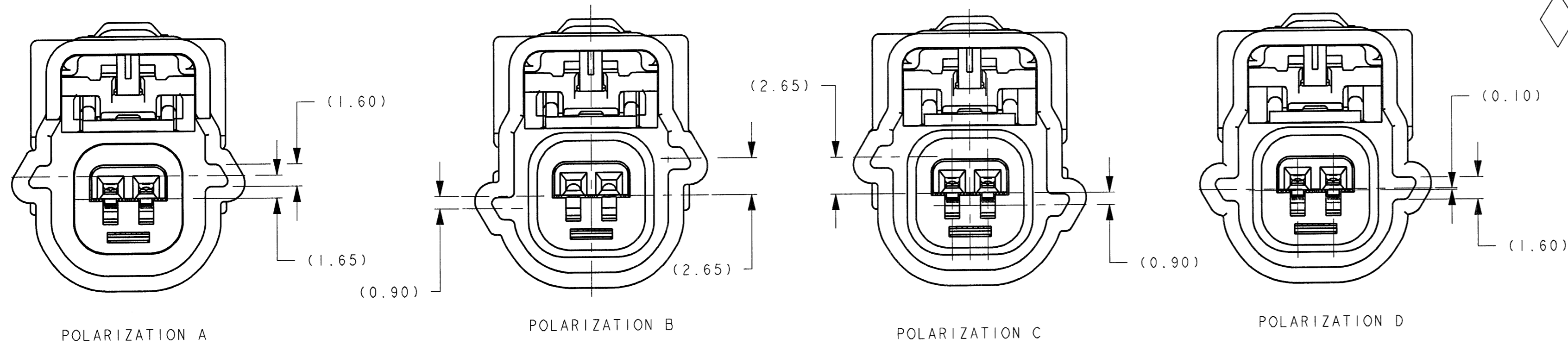
REFER TO FCI DRAWING J25015 FOR CAVITY SPECIFICATION INFORMATION NOT DETAILED ON FCI HOUSING DRAWING J25007

SUPPLIER, MOLD & CAVITY I.D. SIGNIFIES TOOL OWNERSHIP, FOR REFERENCE

ANNUAL QUALITY REQUIREMENTS:
 IT IS PERMISSIBLE TO PERFORM CONTINUOUS CONFORMANCE PER FCI SPECIFICATION #AQA-001 INSTEAD OF ANNUAL LAYOUT & ANNUAL PV REQUIREMENTS OF QS-9000

ALL NON-REFERENCE DIMENSIONS ARE REQUIRED:
 -USE INDEX A, ALL AFFECTED INSULATOR CAVITIES
 -CURRENT PRODUCTION TOOLING
 -POINT OF LAST RUN

CONNECTOR ASSEMBLY DESIGNED TO MATE WITH USCAR FOOTPRINT DRAWING 064-S-002-1-Z02 REV A 18NOV04 - DEVICES BUILT TO MATE WITH POLARIZATION "B" WILL NOT FIT WITHIN A 12.7 mm HEXAGON



ECN NUMBER	DATE	W-D-Y	REVISION	ZONE	CHANGE DESCRIPTION	DRAWN BY	CHK. BY	APPR. BY
10247	03/10/08		F	B11	ADDED C POLARIZATION	RAJ	LMC	LMC
9609	06/14/07		E2	J12	ADDED GM PART NUMBERS TO CHART FOR NON-CPA OPTIONS CODE A,B, & D	JAB	JAB	JAB
9050	12/12/06		E1	D9 H15	RELOCATED SPC SYMBOL TO CORRECT NOTE REMOVED DATUM "A" SYMBOL FROM VIEW	JAB	JAB	JAB
8710	7/27/06		E		ADDED B POLARITY COLOR DK. GREY WAS GREEN REVISED CPA FOR ASSEMBLY AND ADDED CLEARANCE TO HOUSING	GDL	GDL	
8263	1/06/06		D1		SWITCHED POLARIZATION NAMING CONVENTION FOR POLS B AND D SWITCHED COLORS FOR POLS B AND D ADDED USCAR FOOTPRINT DRAWING NOTE.	GDL	GDL	
7580	3/16/05		D		REVISION UPDATE	LMC	GDL	
7396	1/20/05		C		UPDATED PERFORMANCE REQUIREMENTS	LMC	GDL	
7351	12/14/2004		B		RELEASE FOR PRODUCTION	LMC	GDL	
7306	12/2/2004		A		INITIAL RELEASE	LMC	GDL	

PRODUCT SPEC: PACKAGING SPEC: APPLICATION SPEC: THIS DRAWING AND ALL OTHER INFORMATION CONTAINED HEREIN IS PROPRIETARY AND THE PROPERTY OF FCI. THIS DRAWING MAY NOT BE COPIED, REPRODUCED OR DISCLOSED TO ANY THIRD PARTY WITHOUT THE WRITTEN PERMISSION OF FCI. © FCI April 1999

TOLERANCES	SEE NOTES	MATERIAL:	SEE CHART	SURFACE FINISH	
COUNTERBORE NO.		COLOR:	SEE CHART		
DO NOT SCALE DRAWING	TOOL NO. A134	ECO Lvs. CHG	NA	DRAWING NUMBER	
DATE	NAME	TITLE			
DRAWN BY 061104	L. CARRER				
CHECKED BY 061104	G. LEECE				
APPROVED BY		ESR NO. AM 040053	CAT. NO.	FILE NAME	J25002.DWG

CHARTED-ASSEMBLY
 2-WAY FEMALE 0.64mm USCAR SEALED (YAZAKI KAIZEN CAVITY)

J25002

SCALE 4:1

X-ON Electronics

Largest Supplier of Electrical and Electronic Components

Click to view similar products for [Automotive Connectors](#) category:

Click to view products by [APTIV](#) manufacturer:

Other Similar products are found below :

[003-018-000](#) [60403001](#) [60993906-B](#) [629515004020001](#) [M902-2131](#) [M902-2161](#) [72.330.1035.1](#) [73.353.4028.0](#) [F119300-B](#) [F166900](#)
[F258300-B](#) [F358300-B](#) [F407400](#) [F444110](#) [F487000](#) [F509500B-B](#) [827153-1](#) [8N1515-32-24P](#) [9-1326729-8](#) [925474-1](#) [928905-1](#) [964562-4](#)
[968782-1](#) [GT17SA-8DS-HU](#) [98891-1012](#) [98947-1016](#) [12004475-L](#) [12010290](#) [12010309-B](#) [12015454](#) [12020219-B](#) [12020308](#) [12041318-B](#)
[12052225-L](#) [12052466](#) [12059125](#) [12064869](#) [12004327-B](#) [12010503-B](#) [12015308](#) [12015384](#) [12015909](#) [1-21030-1](#) [12041254](#) [12041318](#)
[12047946-B](#) [12047957](#) [12047957-L](#) [12059473](#) [12066261](#)