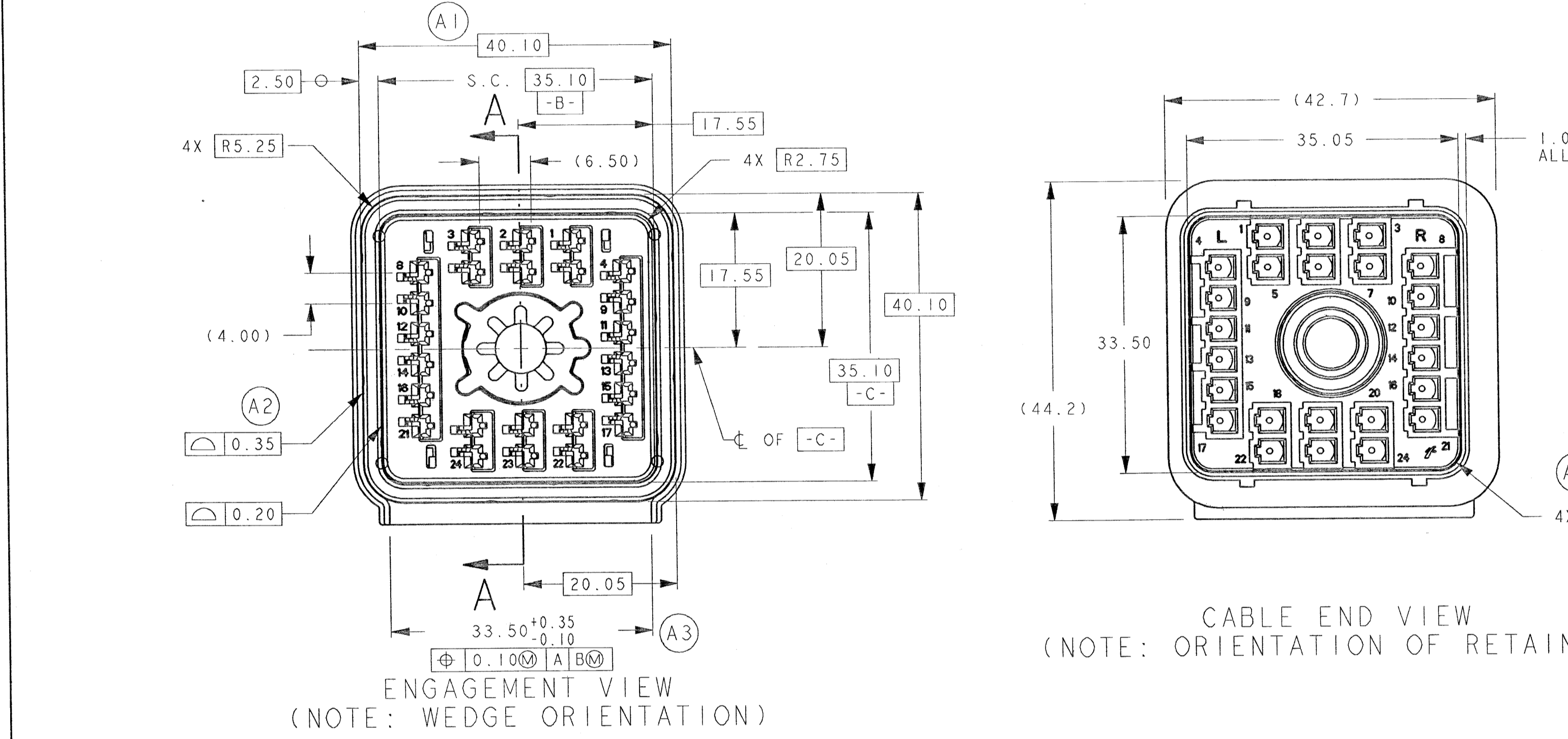
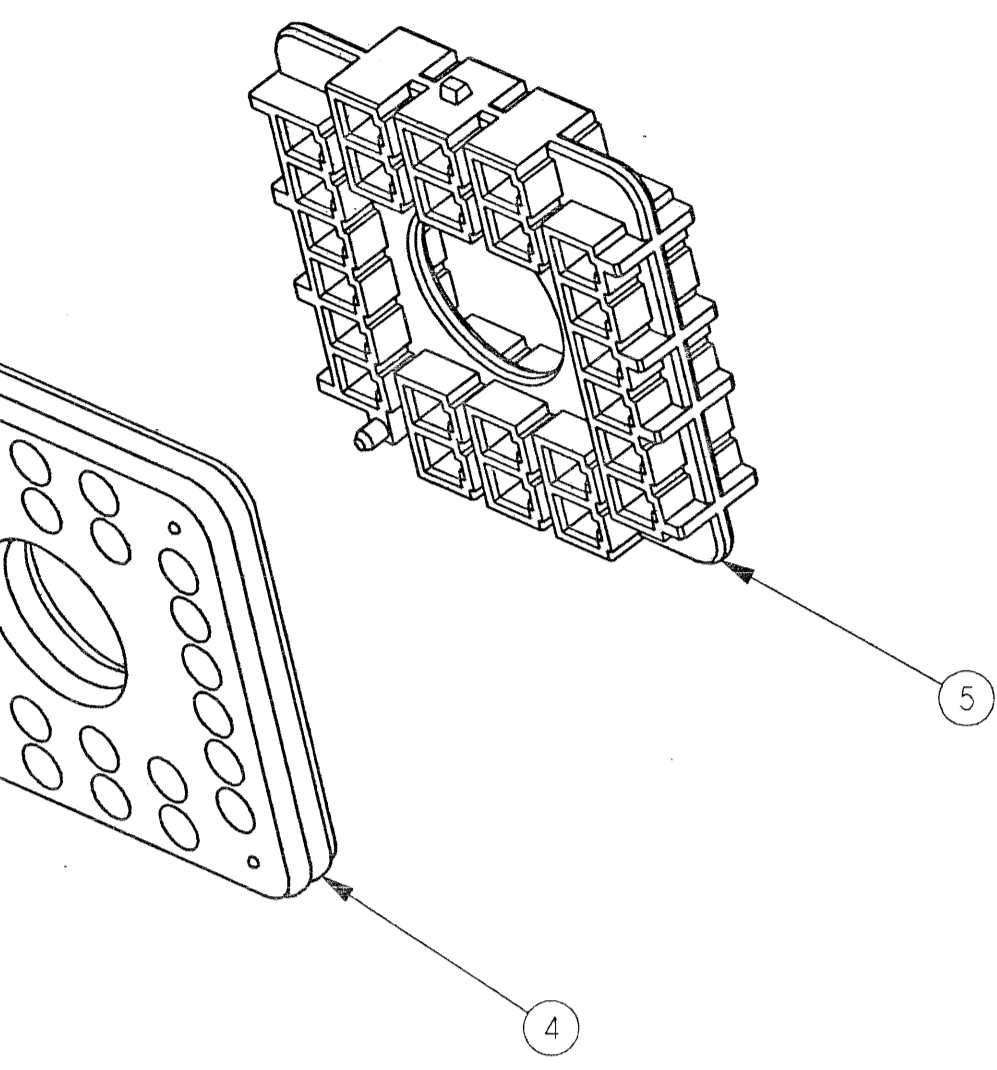
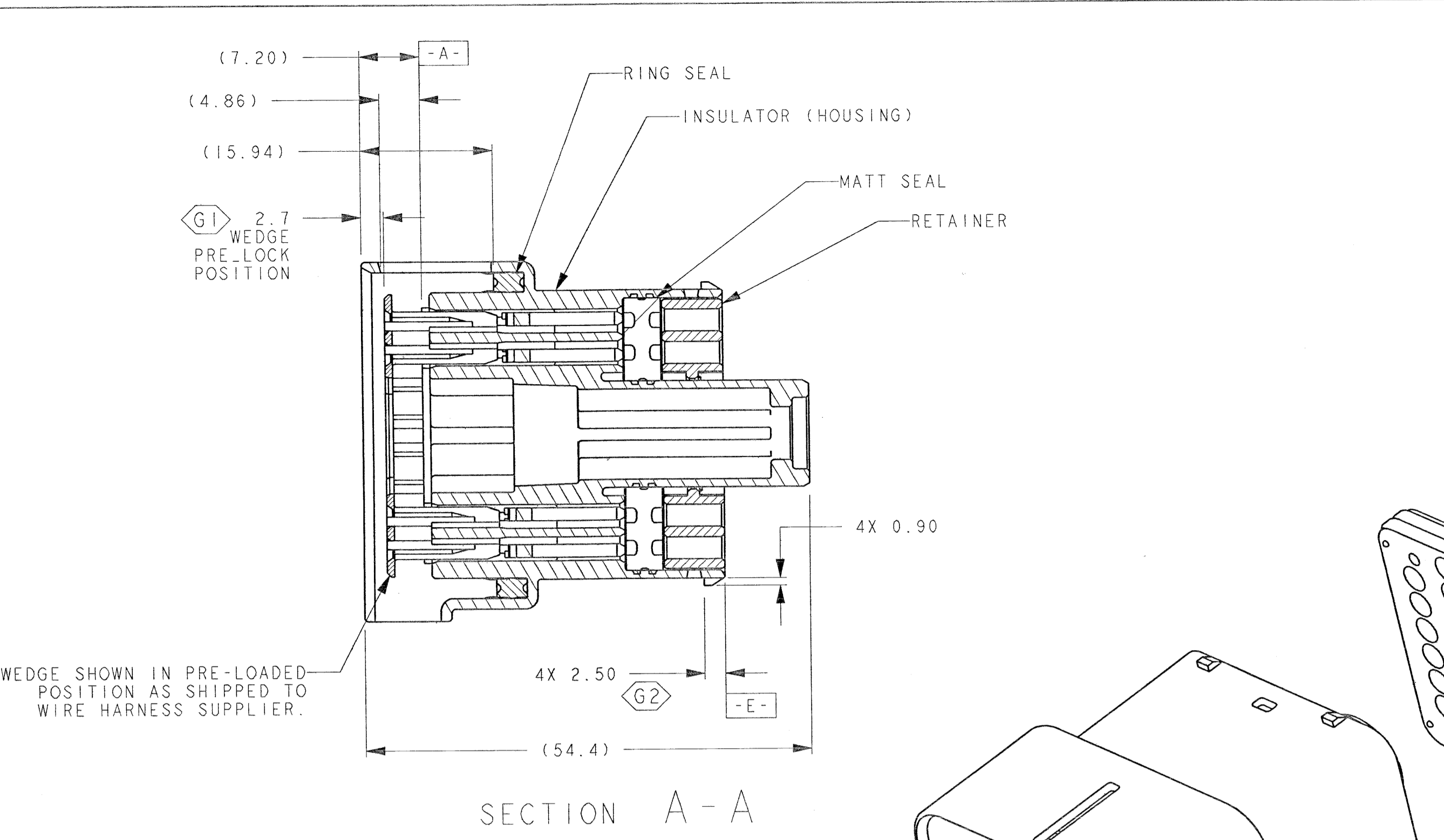
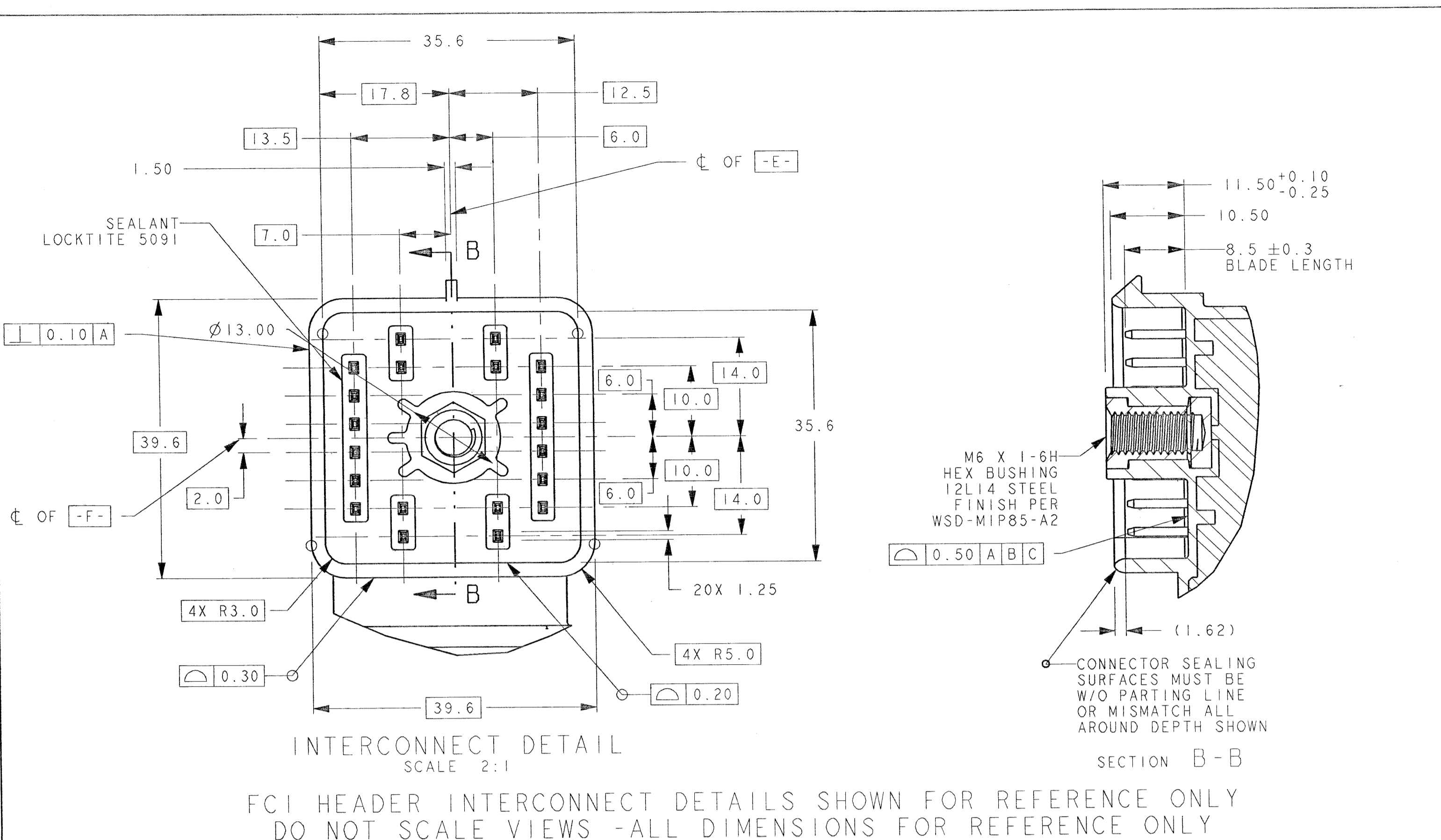


LTRS		REVISIONS		
ORIGINATOR	CHECKER	ENG APP	MATL APP	
RELEASED:	3C3T-14A464-RA			
ARCHIVED DATE:	AE00-E-11478207-001	()	6/26/03	CAD: Y
J. LAURIN	J. BURNSIDE	W. DIXON		
ADDED SEAL CONFIGURATION CHART				
ADDED AVAILABLE TERMINAL OPENING VIEWS				
ARCHIVED DATE:	NB00-E-11511983-004	()		CAD: Y
J. LAURIN	J. BURNSIDE	W. DIXON		

Handwritten initials and date: JLD 02/01/23



ITEM NO	FCI COMPONENT PART NO	DRAWING NO	DESCRIPTION	FCI ASSY PART NO	FORD ASSY PART NO
4C	54392401	X-1122	24 WAY VERSION	54432408	3C3T-14A464-RA-003
4B	54392404	X-1122	15 WAY VERSION	54432407	3C3T-14A464-RA-002
4A	54392403	X-1122	20 WAY VERSION	54432405	3C3T-14A464-RA-001

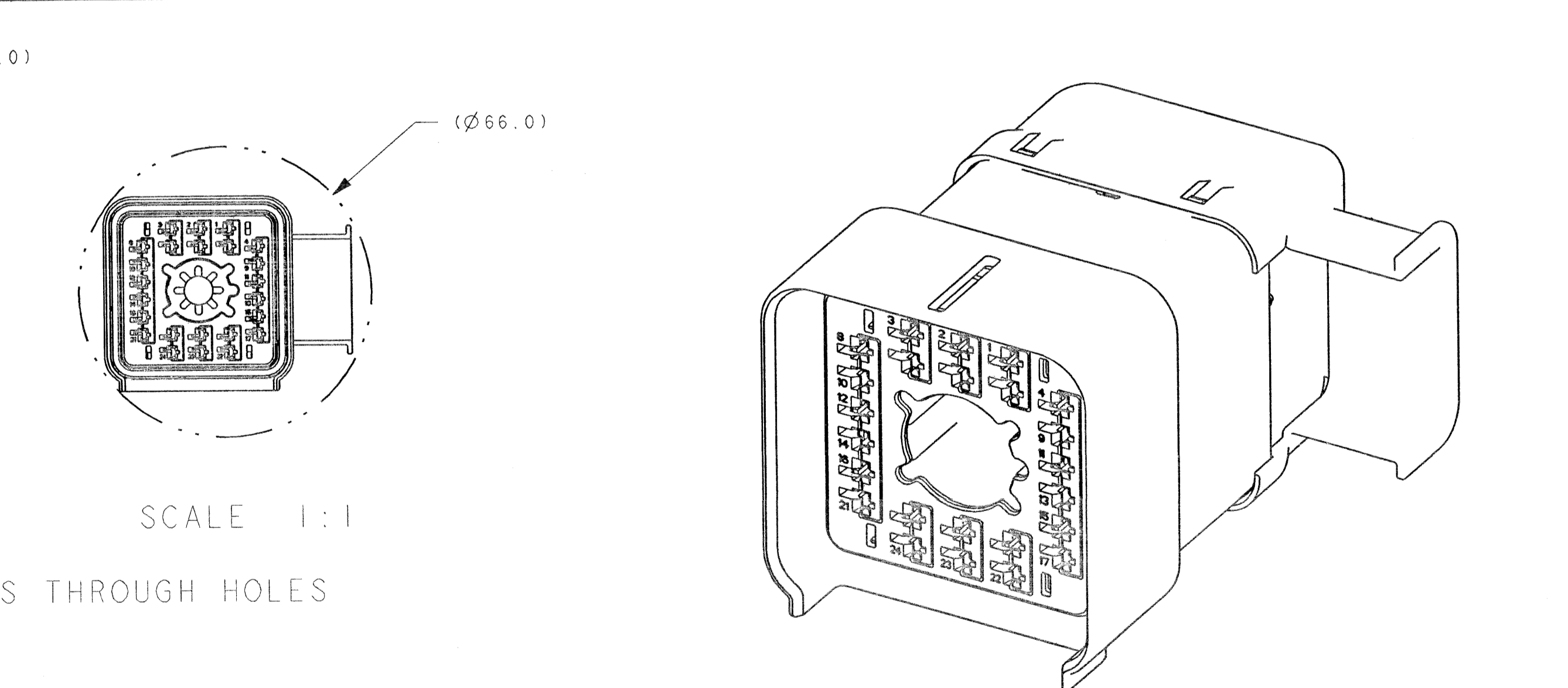
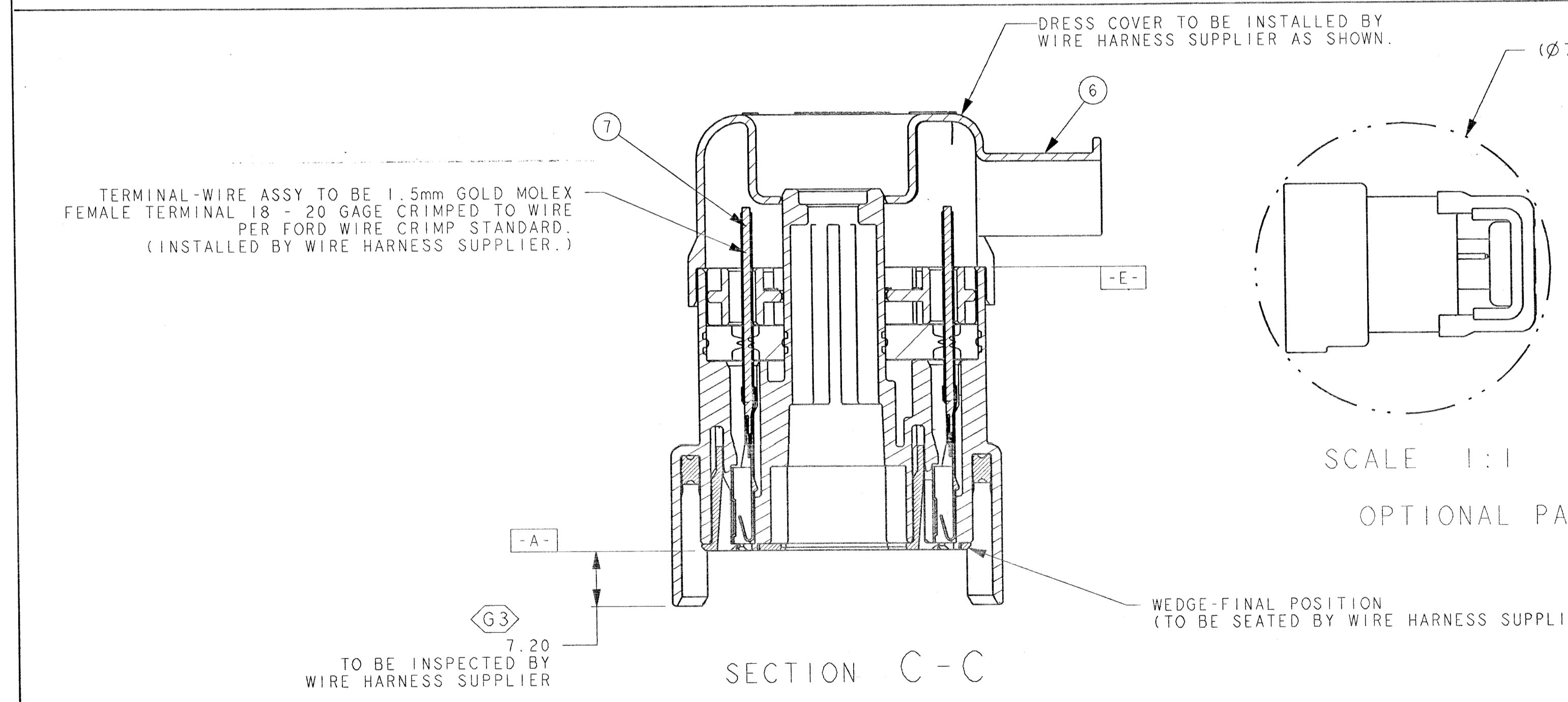
MATT SEAL APPLICATION CHART

ITEM NO	FCI PART NO	DRAWING NO	DESCRIPTION	REQ'D
5	54432403	G03004	RETAINER	1
4	SEE SEAL CHART	SEE SEAL CHART	MATT SEAL	1
3	54432401	G03002	INSULATOR (HOUSING)	1
2	54392400	X-1123	RING SEAL	1
1	54432402	G03003	WEDGE	1

BILL OF MATERIALS: FORD ASSEMBLY P/N 3C3T-14A464-RA

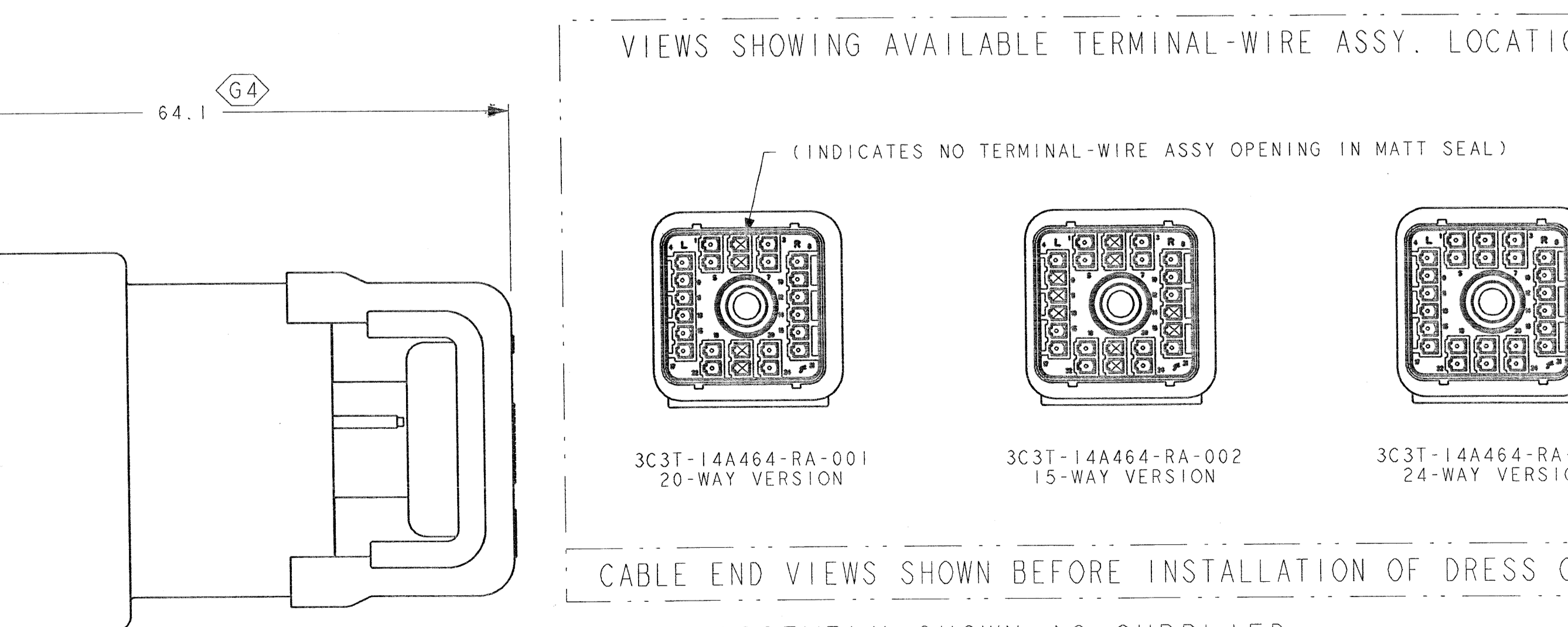
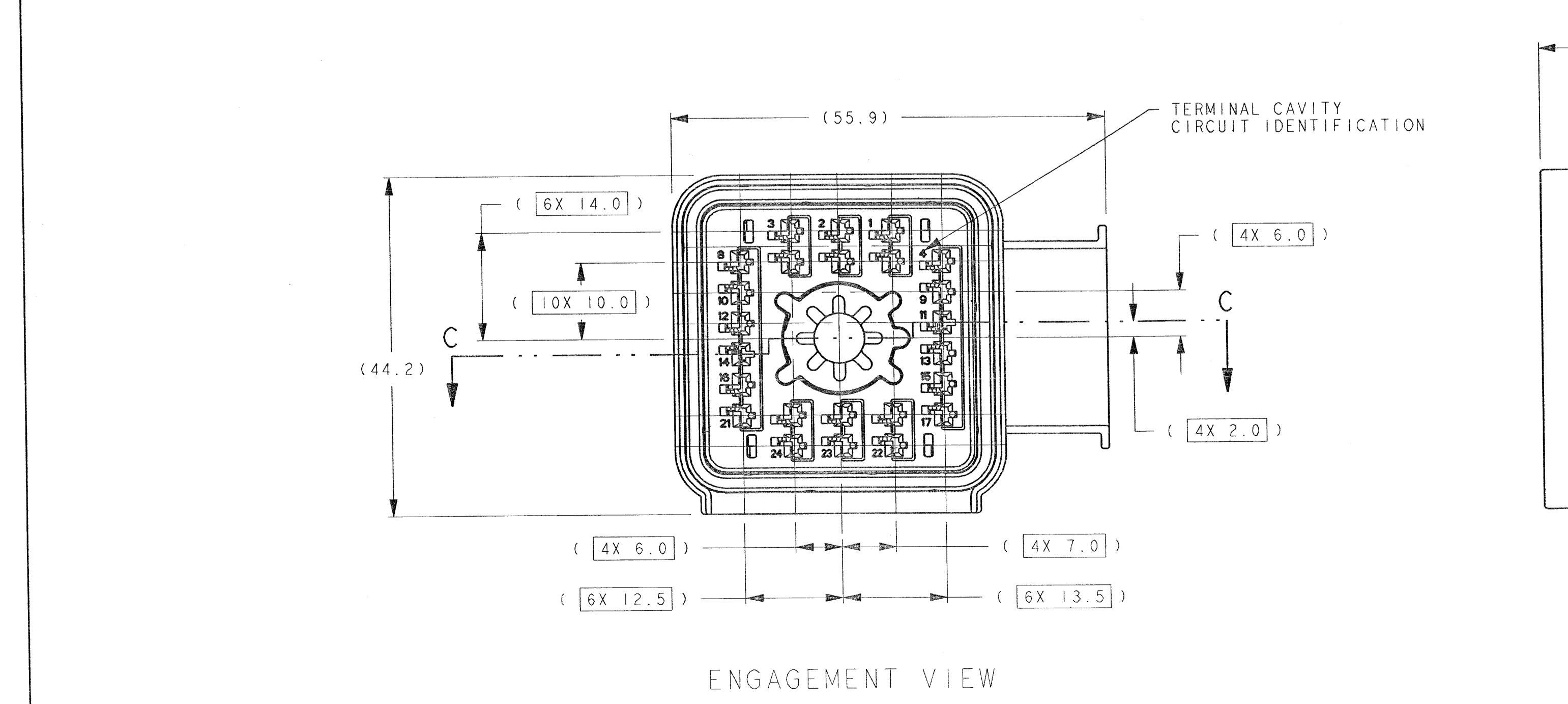
THIS ASSEMBLY SHOWN AS SUPPLIED BY FCI TO WIRE HARNESS SUPPLIER. (DIMENSIONS TO BE INSPECTED BY FCI) SEE BILL OF MATERIALS FOR PART NUMBERS.

(A5) FOR BOLT SUB-ASSEMBLY USE 3C3T-12B539-AA



ITEM NO	FORD PART NO.	FCI PART NO	DRAWING NO	DESCRIPTION	REQ'D
7	ZLIT-14474-EA,FA,GA	-	-	TERMINAL-WIRE ASSY	24
6	3C3T-14A099-BA	54432404	G03005	DRESS COVER	1

BILL OF MATERIALS



CABLE END VIEWS SHOWN BEFORE INSTALLATION OF DRESS COVER

THIS ASSEMBLY SHOWN AS SUPPLIED BY WIRE HARNESS SUPPLIER TO FORD (DIMENSIONS TO BE INSPECTED BY WIRE HARNESS SUPPLIER) (PART OF WIRE HARNESS)

UNLESS OTHERWISE SPECIFIED:

TOLERANCE ON:
1 PLACE DIMENSIONS ±0.25
2 PLACE DIMENSIONS ±0.10
ANGULAR DIMENSIONS ±2°

(G) DENOTES GAGE REQUIREMENTS FOR MANUFACTURER AND OR USER: 2 BY CONNECTOR SUPPLIER 2 BY WIRE HARNESS SUPPLIER

THIS CONNECTOR DESIGN ALLOWS FOR 16 AWG TO 20 AWG WIRE TO BE USED.

THIS DRAWING CONFORMS TO FORD AVP-(T404/T406)-001 (FORD CONNECTOR AND TERMINAL DRAWING AND DESIGN REQUIREMENTS) DATED 29/APR/99

PART MUST CONFORM TO FORD ELECTRICAL CONNECTION SYSTEM DESIGN SPECIFICATION (SDS) REV. 6, DATED 03/DEC/99

PART MUST CONFORM TO FORD ES-F8DB-14A464-A1 (USCAR PF-1)

AT FINAL ASSEMBLY: BOLT TO BE TORQUED TO 4.1 ±0.7 Nm USING A FORD N-2 1/4 INCH DRIVE TOOL.

WIRING FABRICATORS MUST PURCHASE FROM SOURCES SHOWN
1) FCI AUTOMOTIVE

CONNECTOR MATES WITH: FCI P/N 54698002 (ASSEMBLY - 24 WAY HEADER AND HARNESS)

UNCONTROLLED

CAD TYPE	CAD LOC.	CAD FILE	EM
X-PROJ	N/A	DATZ/PROJECTS/G03	IS MASTER
OPER. NO.	UNIT	DRAWING	3C3T-14A464-RA
DESIGN	JPL	TITLE	SHT 1 OF 1
CHECKED	JPL	SLEEVE ASSEMBLY - 24 WAY	
J. BURNSIDE		FEMALE (BOLT ASSIST)	
SCALE	DATE	DIVISION	
2:1	5-21-03	PLANT	

X-ON Electronics

Largest Supplier of Electrical and Electronic Components

Click to view similar products for [Automotive Connectors](#) category:

Click to view products by [APTIV](#) manufacturer:

Other Similar products are found below :

[003-018-000](#) [60403001](#) [60993906-B](#) [M902-2131](#) [M902-2161](#) [72.330.1035.1](#) [73.353.4028.0](#) [F119300-B](#) [F166900](#) [F258300-B](#) [F358300-B](#)
[F407400](#) [F444110](#) [F487000](#) [F509500B-B](#) [827153-1](#) [8N1515-32-24P](#) [9-1326729-8](#) [925474-1](#) [928905-1](#) [964562-4](#) [968782-1](#) [GT17SA-8DS-](#)
[HU](#) [98891-1012](#) [98947-1016](#) [12004475-L](#) [12010290](#) [12010309-B](#) [12015454](#) [12020219-B](#) [12020308](#) [12041318-B](#) [12052225-L](#) [12052466](#)
[12059125](#) [12064869](#) [12004327-B](#) [12010503-B](#) [12015308](#) [12015384](#) [12015909](#) [1-21030-1](#) [12041254](#) [12041318](#) [12047946-B](#) [12047957](#)
[12047957-L](#) [12059473](#) [12066261](#) [12110546](#)