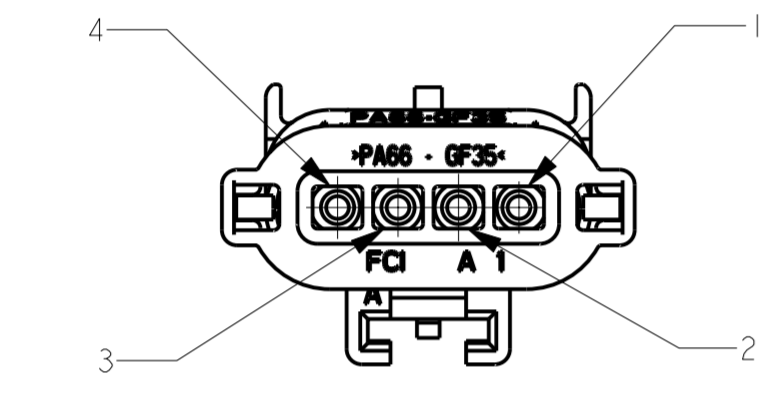
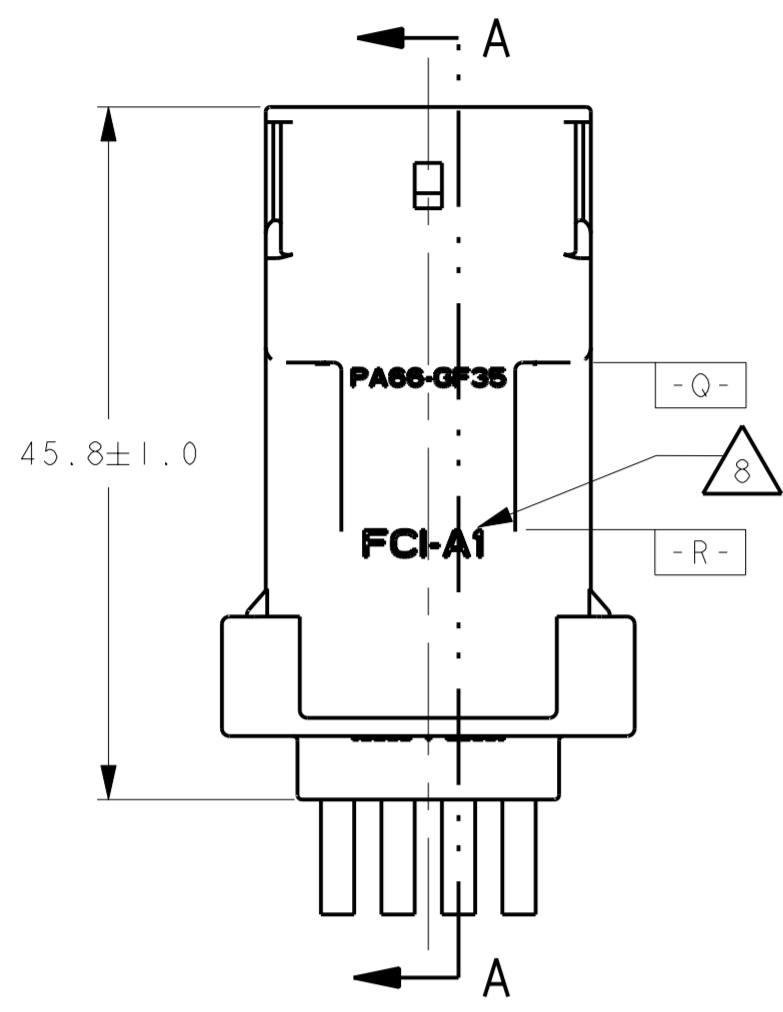
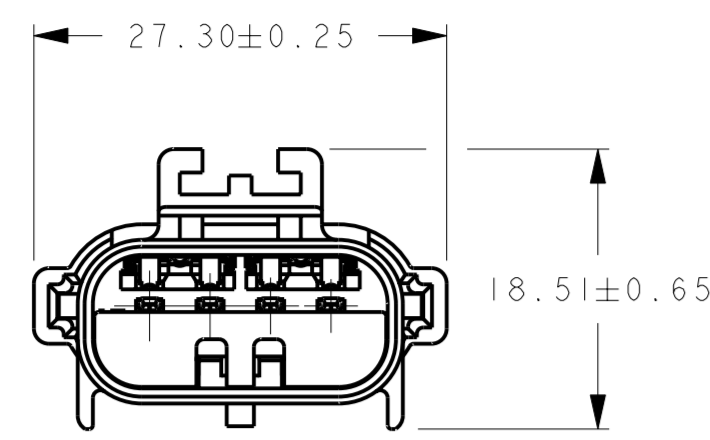
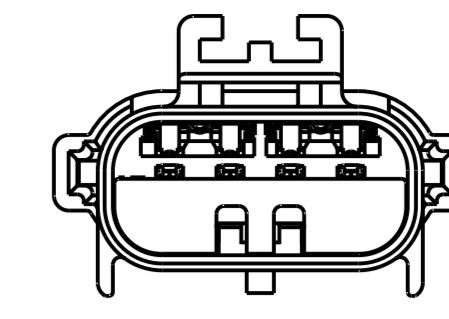
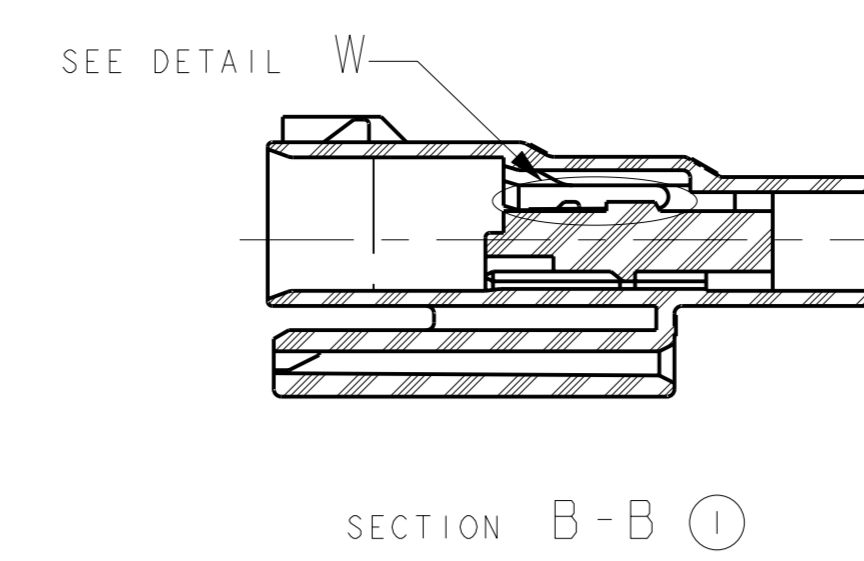
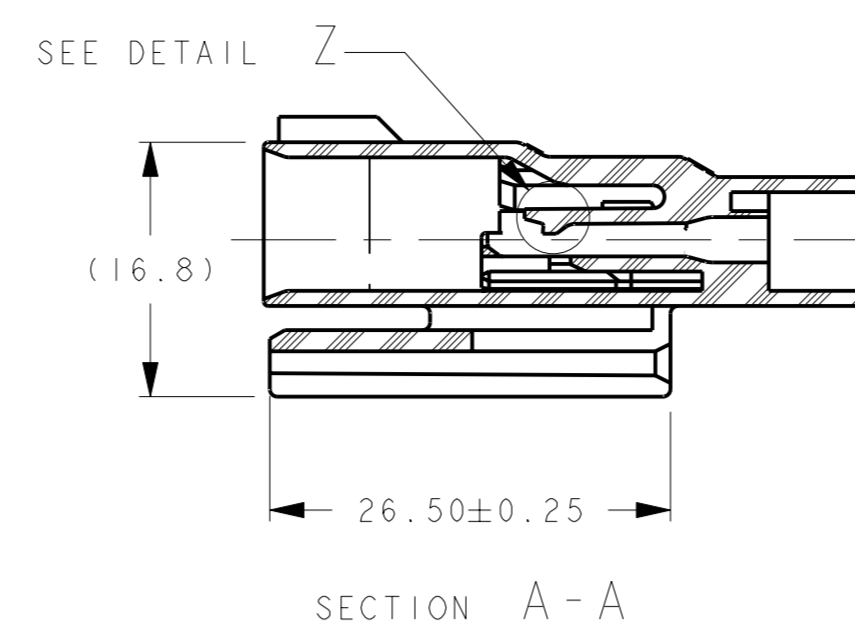
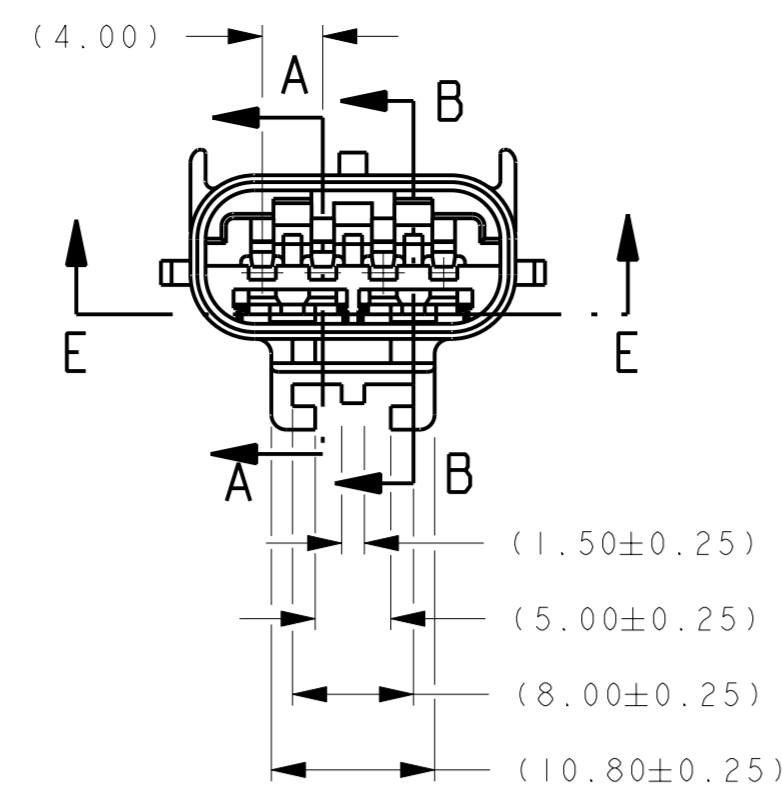




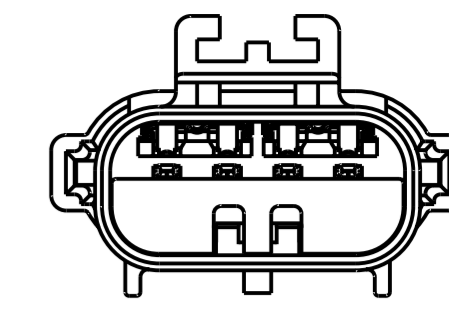
ISOMETRIC VIEWS



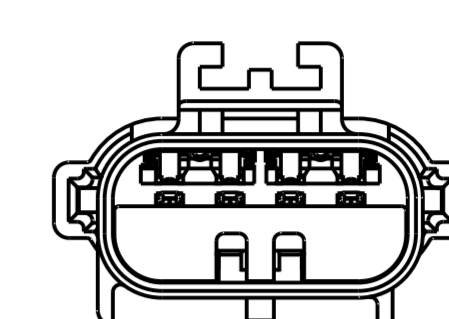
#2 SRS OPTION
CIR #1 & 2, 3 & 4
SHORTED/OPEN
(UNSEALED ALL CAVITIES OPEN)
POL. TYPE "A" SHOWN



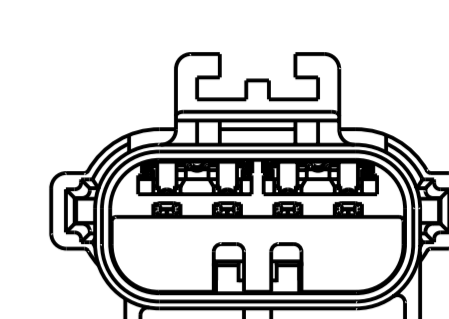
TYPE A



TYPE B

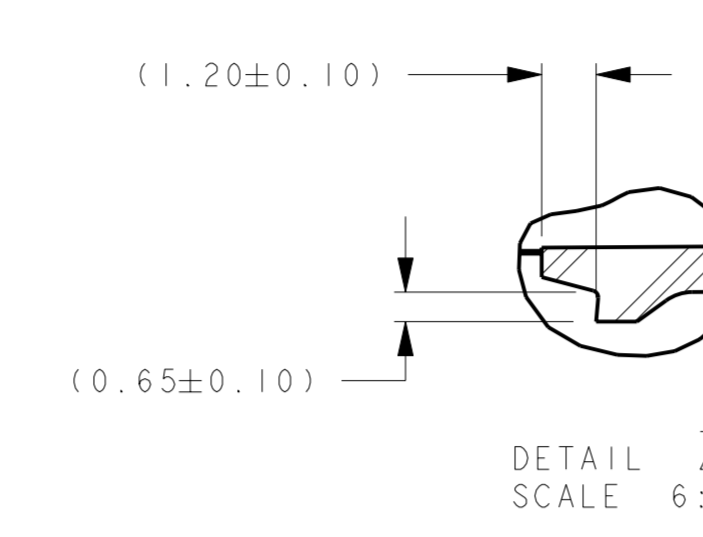
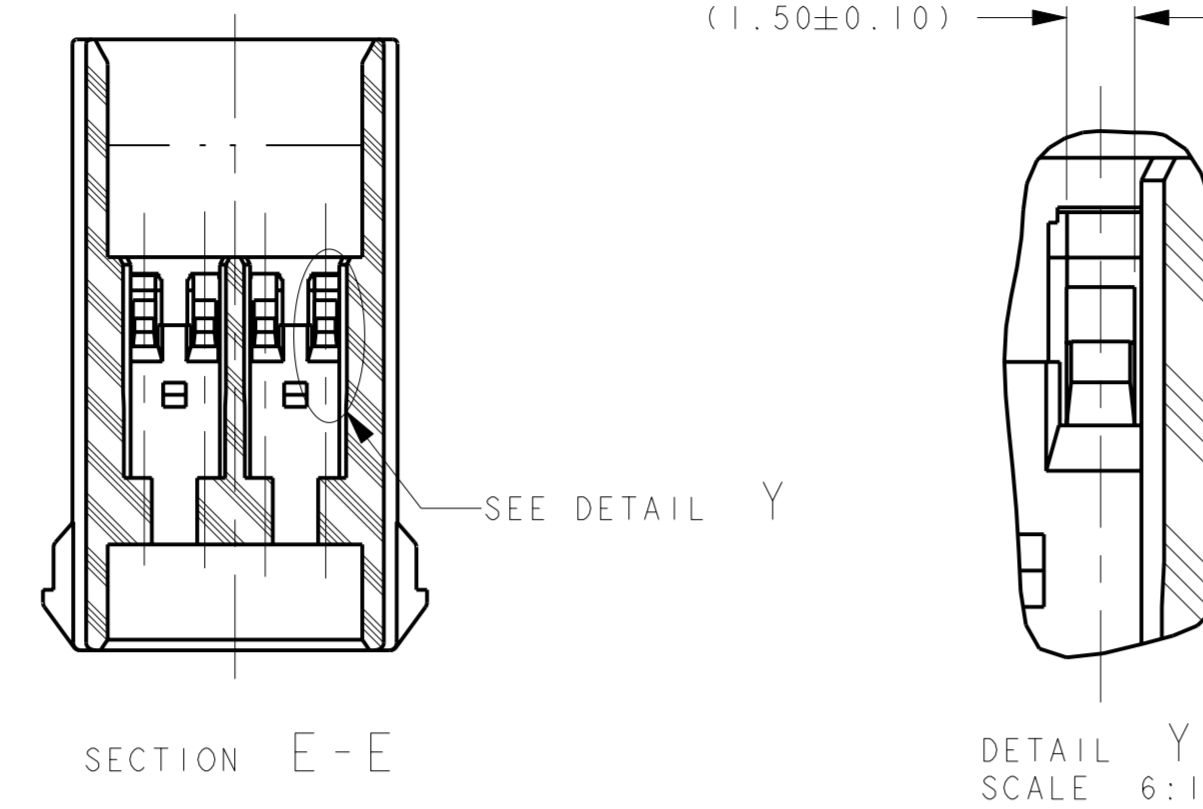


TYPE C

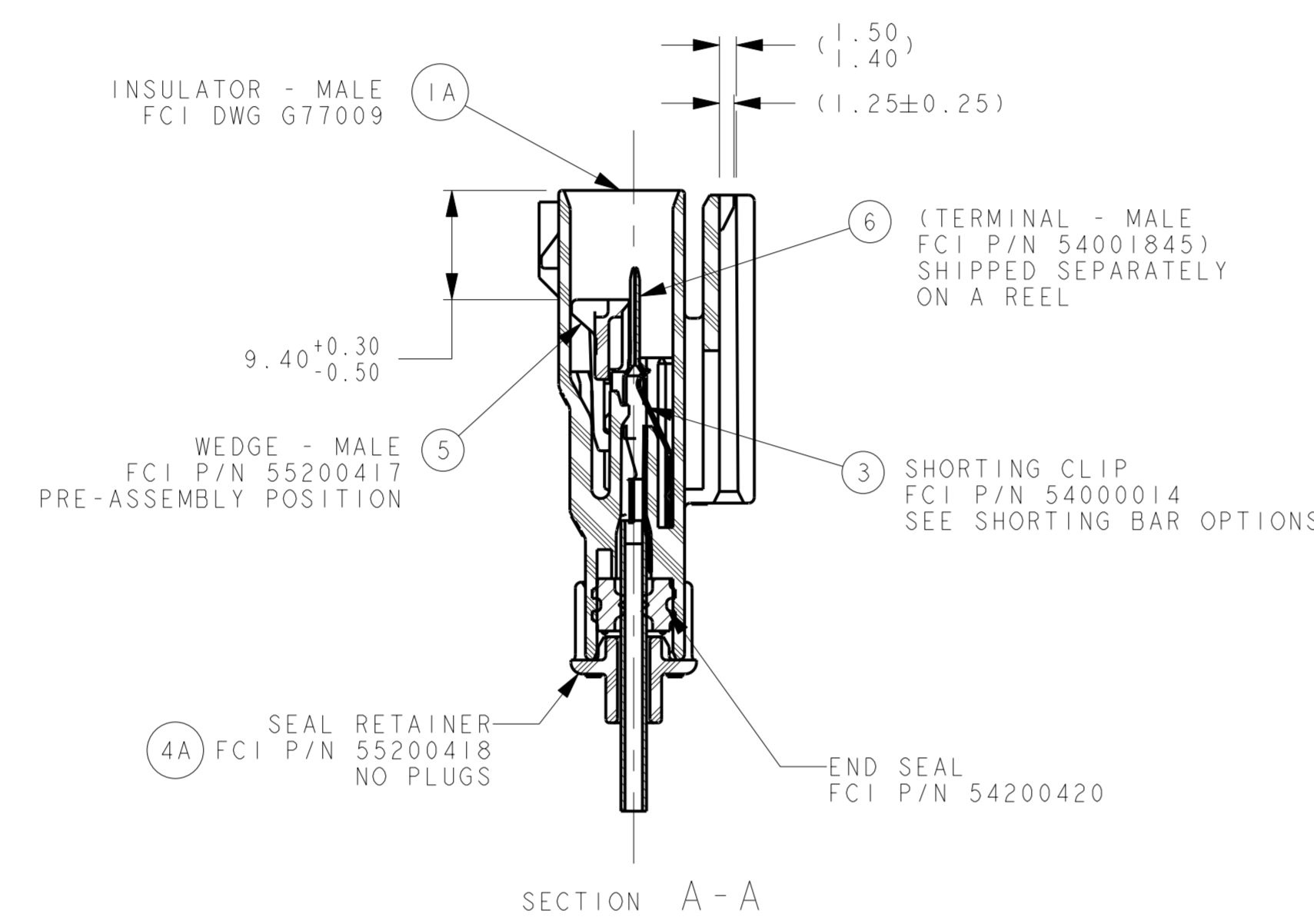
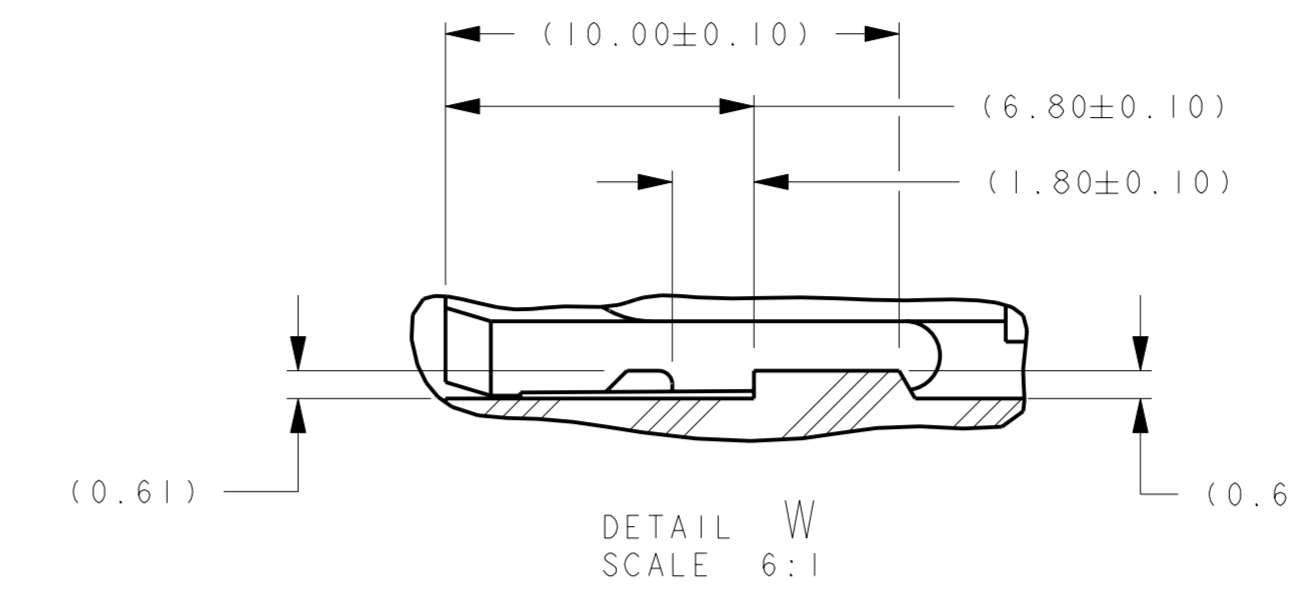


TYPE D

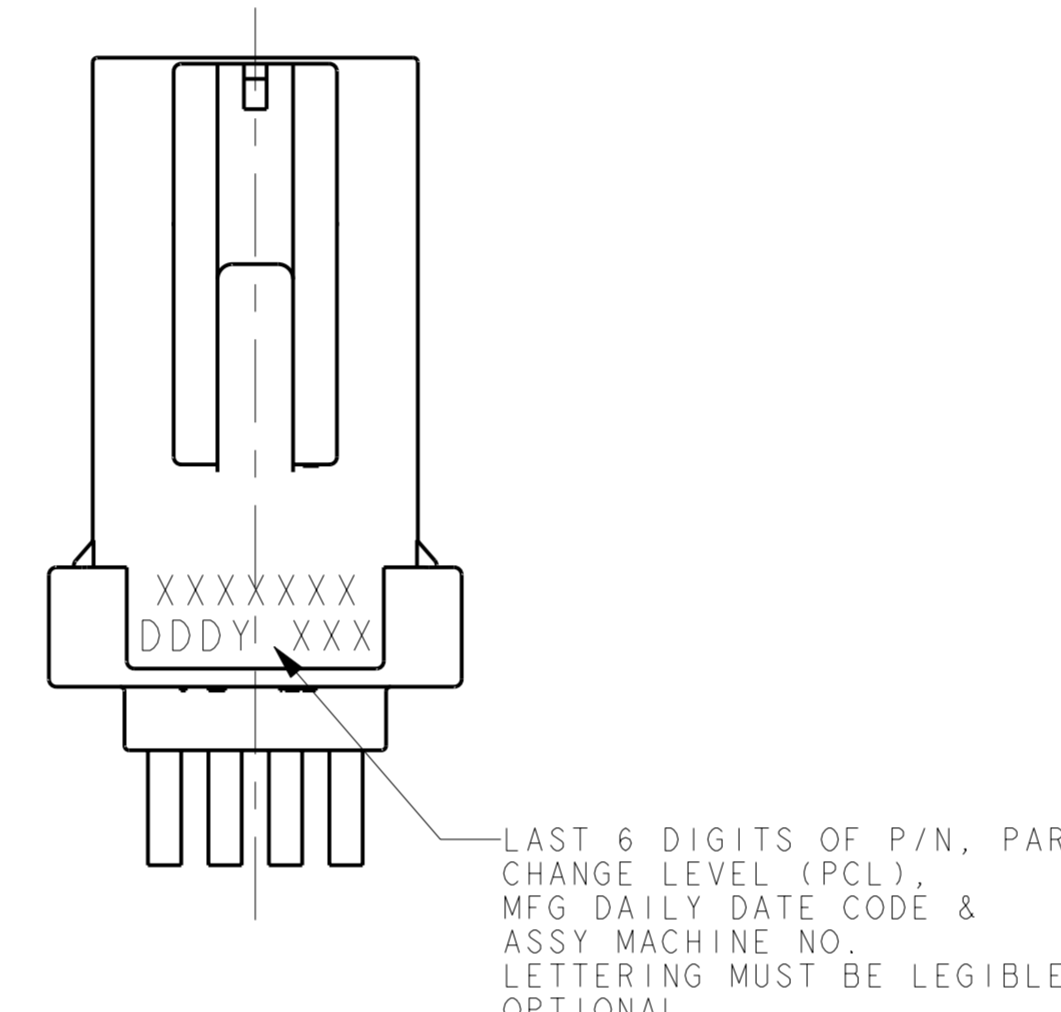
POLARIZATION OPTIONS



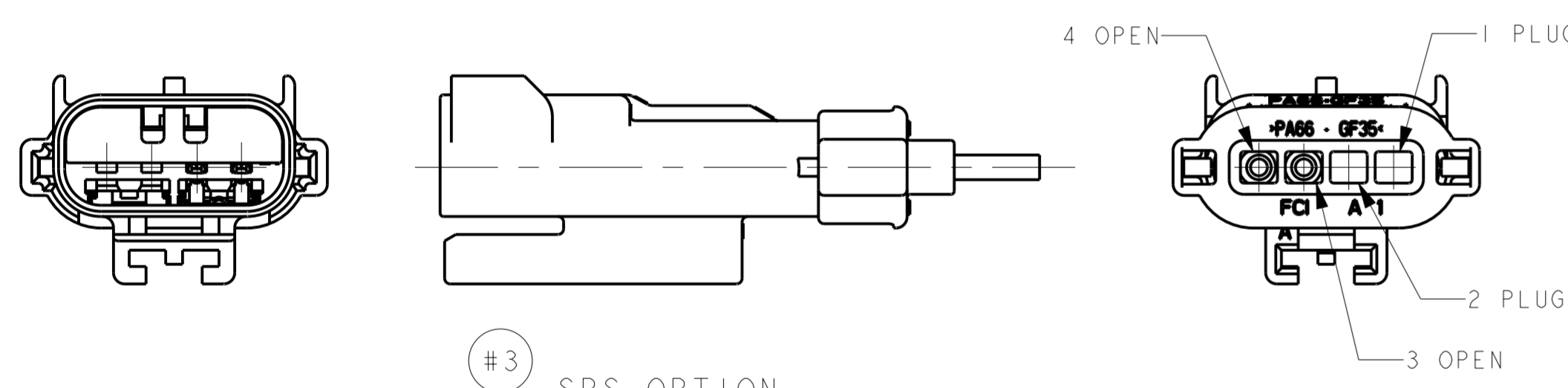
INSULATOR VIEWS FOR REFERENCE ONLY



SEALED ASSEMBLY VIEWS
W/SHORTING CLIP SHOWN

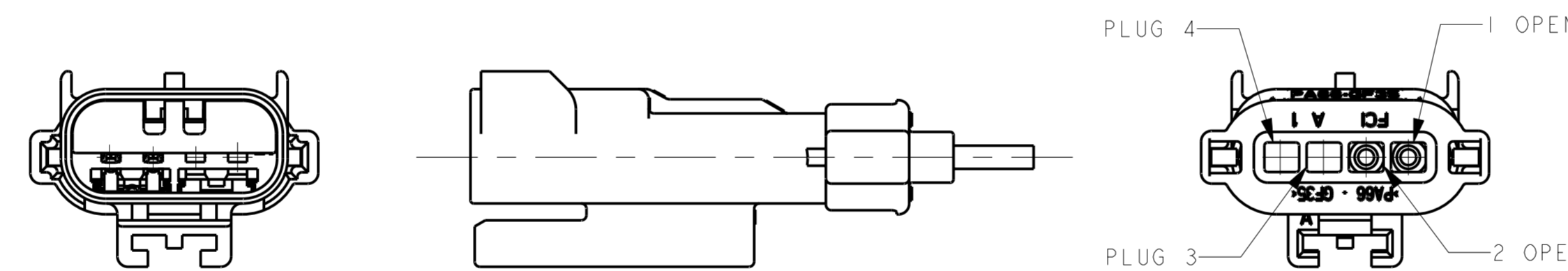


UNSEALED ASSEMBLY VIEW
SHORTING CLIP OPTION



#3 SRS OPTION
CIR #1 & 2 PLUGGED
CIR #3 & 4 SHORTED/OPEN
(UNSEALED ALL CAVITIES OPEN)
POL. TYPE "A" SHOWN

WITH AND WITHOUT
SHORTING BAR (LOCATION)
SRS ASSEMBLY OPTION(S)



#1 SRS OPTION
CIR #1 & 2 SHORTED/OPEN
CIR #3 & 4 PLUGGED
(UNSEALED ALL CAVITIES OPEN)
POL. TYPE "A" SHOWN

- NOTES:
- 1 QUALITY ASSURANCE REQUIREMENTS PER CHRYSLER PS-7300: 1 DIMENSIONAL OR PROCESS PARAMETERS PERMISSIBLE
 - 2 ENGINEERING APPROVAL OF SUPPLIER SAMPLES IS REQUIRED PRIOR TO AUTHORIZATION OF PART PRODUCTION
 - 3 CHANGES IN DESIGN COMPOSITION OR PROCESSING FROM THE PART PREVIOUSLY APPROVED FOR PART PRODUCTION REQUIRES PRIOR ENGINEERING APPROVAL
 - 4 WIRING FABRICATORS MUST SPECIFY PROPER INSULATION TYPE FOR TEMPERATURE CLASS THE CONNECTOR SYSTEM IS USED FOR
 - 5 ALL THE SEALED CONNECTOR APPLICATIONS MUST BE USED WITH CHRYSLER WIRE SPECIFICATION MS8288, MS9502 OR MS7889 20, 18 OR 16 GAGE WIRES ONLY UNLESS OTHERWISE SPECIFIED (WIRE INSULATIONS Ø1.50 MINIMUM TO Ø2.41 MAXIMUM)
 - 6 ALL NON-SEALED APPLICATIONS MAY BE USED WITH ANY WIRE INSULATION 22 GAGE THROUGH 14 GAGE (EXCEPT AS NOTED) PROVIDING THAT A TERMINAL GRIP FOR THAT CORE/INSULATION COMBINATION IS SHOWN ON C18002-CUST TERMINAL DRAWING
 - 7 TEST METHOD PER CHRYSLER PERFORMANCE SPECIFICATION SAE/USCAR-2 REV 5. CONNECTOR ENGAGE & DIS-ENGAGE WITH LATCH DEPRESSION FORCE NOT TO EXCEED 75N FOR THIS SYSTEM
 - 8 WEDGE SEATING FORCES = 75N MAXIMUM
X-MAS TREE CLIP INSERTION FORCE = 75N MAX
 - 9 SUPPLIER, MOLD & CAVITY I.D. SIGNIFIES TOOL OWNERSHIP, FOR REFERENCE
 - 10 ANNUAL QUALITY REQUIREMENTS:
IT IS PERMISSIBLE TO PERFORM CONTINUOUS CONFORMANCE PER FCI SPECIFICATION #AQA-001 INSTEAD OF ANNUAL LAYOUT & ANNUAL PV REQUIREMENTS OF QS 9000 SECTION 2 & SAE/USCAR-2 REV 5 EXCEPT AS NOTED BELOW:
WEDGE INSERTION TO FULLY SEATED POSITION IS 6N MINIMUM AND WEDGE REMOVAL FROM FULLY SEATED POSITION IS 75N MAXIMUM
 - 11 ALL NON-REFERENCE DIMENSIONS ARE REQUIRED
 - 12 MUST CONFORM TO THE FOLLOWING CHRYSLER/YMA STANDARDS:
SAE/USCAR-2 REV 3 EXCEPT AS NOTED ABOVE
PS-7300 QUALITY ASSURANCE (CHRYSLER)
PS-4480-CEK-4 (CHRYSLER) PART I.D., (G-009-2 YNA)
PS-9227 DATA EXCHANGE (CHRYSLER), (G-009-7 YNA)
PS-10052 INFORMATION SECURITY (CHRYSLER)
 - 13 USED WITH: DBL X-MAS TREE CLIP - CHRYSLER P/N 04707091
SGL X-MAS TREE CLIP - CHRYSLER P/N 04625797
C18002-CUST 1.5MM TERMINAL IS SYMMETRICAL ABOUT CENTERLINE CAN BE INSERTED 180°
 - 14 RETAINER P/N 55200425 IS NOT POLARIZED AND IT MUST HAVE PROPER PLUG LOCATION FOR SINGLE SHORTING CLIP OR 2-WAY APPLICATION SEE SAFETY RESTRAINT SYSTEM (SRS) OPTION VIEWS AND CHART
- MAXIMUM INSULATION CRIMP WIDTH = 3.30
MAXIMUM INSULATION CRIMP HEIGHT = 2.80
MAXIMUM INSULATION DIAMETER = 2.65

ITEM	FCI P/N	SRS APPLICATION	INSULATION	WIRE	WIRE GAUGE	WIRE COLOR
54550410	A 54550421	#3 W/CLIP	NO	BRT YELLOW		
54550411	B 54550418	#1 W/CLIP	NO	LT YELLOW		
54550410	A 54550414	#1 W/CLIP	NO	BRT YELLOW		
54550411	B F288110	#2 W/O CLIP	NO	LT YELLOW		
54550410	A F188110	#2 W/O CLIP	NO	BRT YELLOW		
54550405	B F088110	#1 W/O CLIP	YES	LT YELLOW		
54550408	B F978110	#2 W/O CLIP	YES	LT YELLOW		
54550406	A F878110	#1 W/O CLIP	YES	BRT YELLOW		
54550415	A F778110	#2 W/O CLIP	YES	BRT YELLOW		
54550420	A F398110	#3 W/O CLIP	YES	BRT YELLOW		
55200433	D 55200437	IN-LINE	NO	NATURAL		
55200432	C 55200436	IN-LINE	NO	DK GRAY		
55200431	B 55200435	IN-LINE	NO	LT GRAY		
55200430	A 55200434	IN-LINE	NO	BLACK		
55200403	D 55200407	IN-LINE	YES	NATURAL		
55200402	C 55200406	IN-LINE	YES	DK GRAY		
55200401	B 55200405	IN-LINE	YES	LT GRAY		
55200400	A 55200404	IN-LINE	YES	BLACK		
FEMALE ASSY	POL MALE ASSY	SRS OPTION	ASSEMBLY TYPE	SLD	COLOR	

UNSEALED		SEALED		REQUIRED		ITEM	FCI P/N	PART NAME	COLOR	MATERIAL
IN-LINE	SRS APPLICATION WITH CLIP	W/O CLIP	IN-LINE	SRS APPLICATION WITH CLIP	W/O CLIP					
55200434			55200405			1	55200414	INS POL TYPE "A"	BRT YELLOW	A3EG7
55200435			55200406			1	55200415	INS POL TYPE "B"	LT YELLOW	A3EG7
55200436			55200407			1	55200421	INS POL TYPE "A"	BLACK	A3EG7
55200437			55200408			1	55200422	INS POL TYPE "B"	LT GRAY	A3EG7
54550413			55200409			1	55200423	INS POL TYPE "C"	DK GRAY	A3EG7
54550414			54550416			2	55200424	INS POL TYPE "D"	NATURAL	A3EG7
54550421			55200405			3	54000014	SHORTING BAR (SEE SHORTING BAR SRS ASSY OPTION VIEWS)	RED	301
54550418			55200406			5	55200417	WEDGE MALE	RED	A3EG7
F188110			54550416			4A	55200418	RETAINER-NO PLUGS	NATURAL	A3EG7
F288110			55200405			4B	55200425	RETAINER WITH TWO PLUGS SEE ASSY OPTION 1 & 3 FOR PLUGS LOCATION	BLACK	A3EG7
F878110								CONN ASSY TEMPERATURE CLASS PER SAE/USCAR-2 REV 5		
F978110								PART CHANGE LEVEL (PCL)		

ITEM	DATE	REV	DESCRIPTION	BY	CHK	APP
11963	8-15-11	F	ASSEMBLED WITHOUT SHORTING CLIP(S) ADDED. SEE OPTION AND SHORTING BAR OPTION AND NOTE 12 REVISED			
10379	5-15-08	E	REVISED POL A BRT YELLOW (REMOVED POL A SHORTING CLIP(S) ADDED)			
10072	12-12-07	D3	REVISED POL A BRT YELLOW (REMOVED POL A SHORTING CLIP(S) ADDED)			
9821	9-13-07	D1	REVISED POL A BRT YELLOW (REMOVED POL A SHORTING CLIP(S) ADDED)			
9428	04-10-07	D	REVISED POL A BRT YELLOW (REMOVED POL A SHORTING CLIP(S) ADDED)			
8845	10-04-06	C1	REVISED POL A BRT YELLOW (REMOVED POL A SHORTING CLIP(S) ADDED)			
8706	8-8-06	C	REVISED POL A BRT YELLOW (REMOVED POL A SHORTING CLIP(S) ADDED)			

X-ON Electronics

Largest Supplier of Electrical and Electronic Components

Click to view similar products for [Automotive Connectors](#) category:

Click to view products by [APTIV](#) manufacturer:

Other Similar products are found below :

[003-018-000](#) [60403001](#) [60993906-B](#) [629515004020001](#) [M902-2131](#) [M902-2161](#) [72.330.1035.1](#) [73.353.4028.0](#) [F119300-B](#) [F166900](#)
[F258300-B](#) [F358300-B](#) [F407400](#) [F444110](#) [F487000](#) [F509500B-B](#) [827153-1](#) [8N1515-32-24P](#) [9-1326729-8](#) [925474-1](#) [928905-1](#) [964562-4](#)
[968782-1](#) [GT17SA-8DS-HU](#) [98891-1012](#) [98947-1016](#) [12004475-L](#) [12010290](#) [12010309-B](#) [12015454](#) [12020219-B](#) [12020308](#) [12041318-B](#)
[12052225-L](#) [12052466](#) [12059125](#) [12064869](#) [12004327-B](#) [12010503-B](#) [12015308](#) [12015384](#) [12015909](#) [1-21030-1](#) [12041254](#) [12041318](#)
[12047946-B](#) [12047957](#) [12047957-L](#) [12059473](#) [12066261](#)