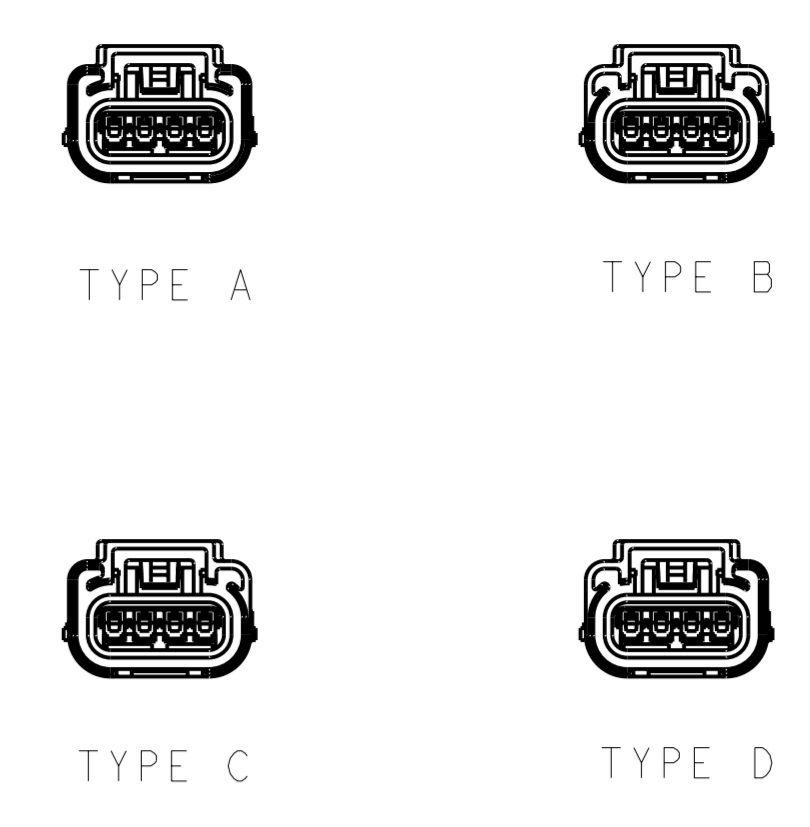
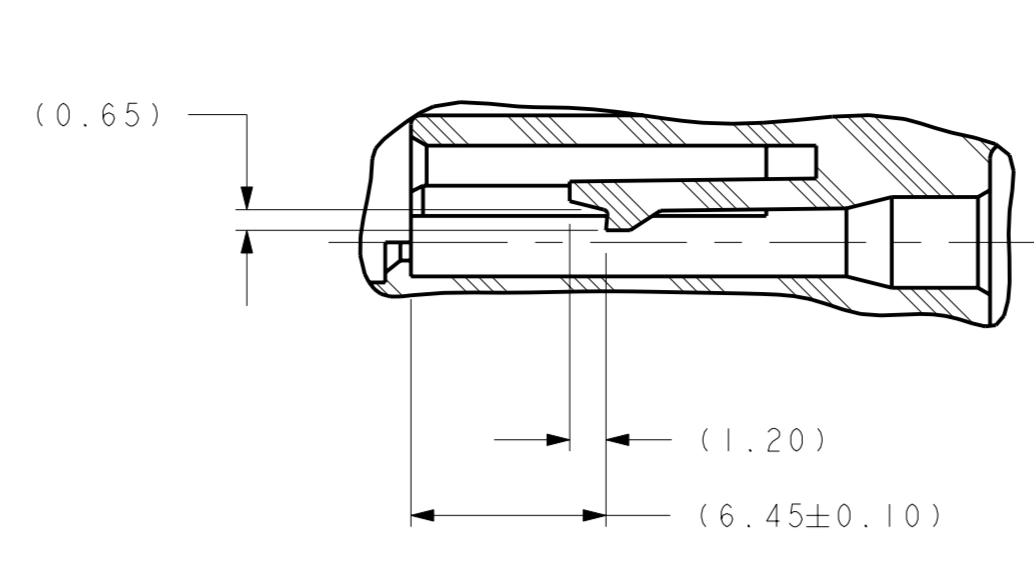
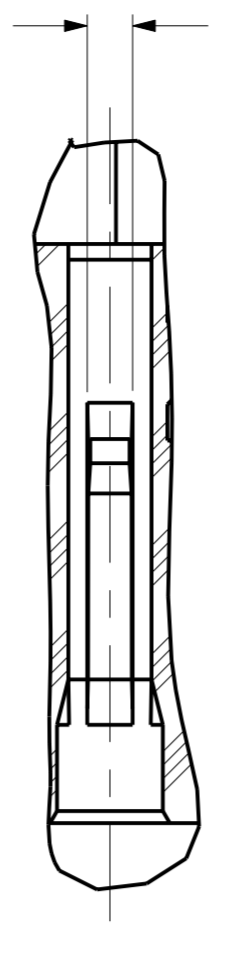
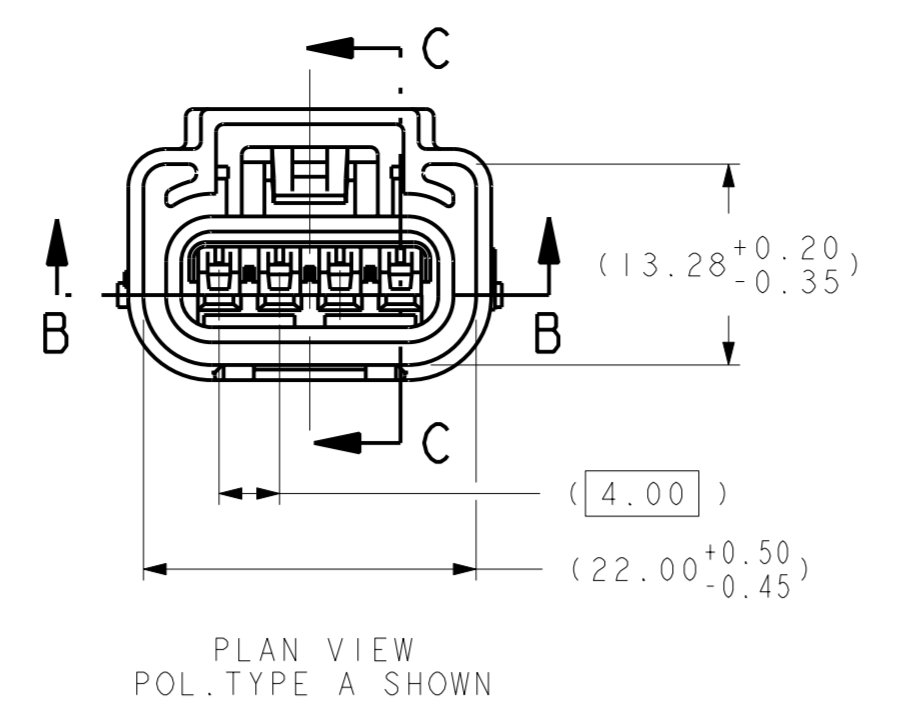
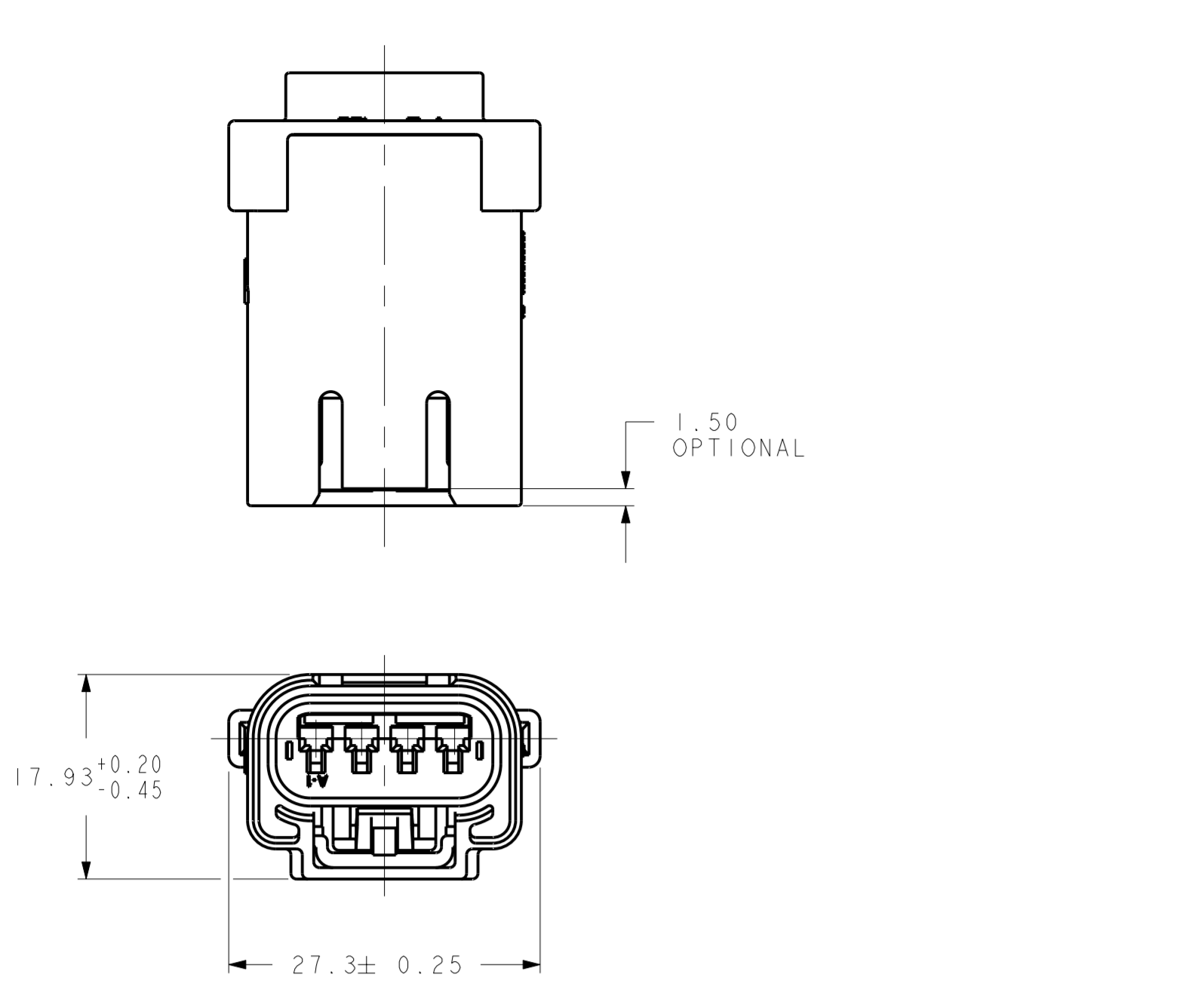
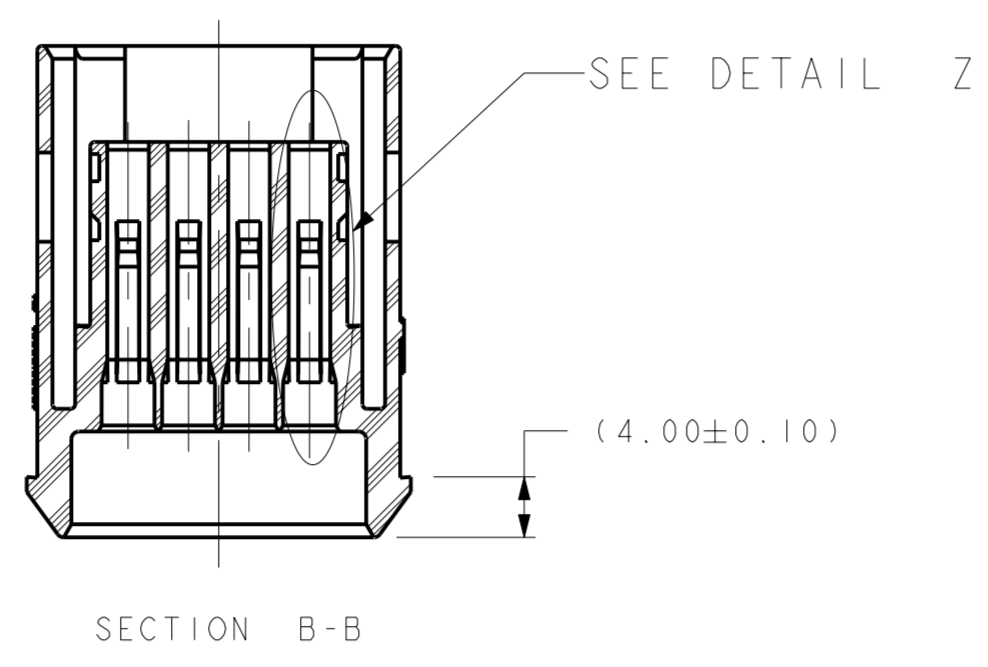


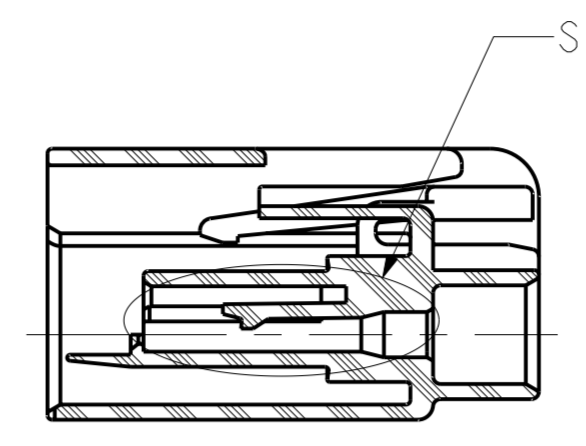
SCALE 1:1



POLARIZATION OPTIONS SCALE 1:1

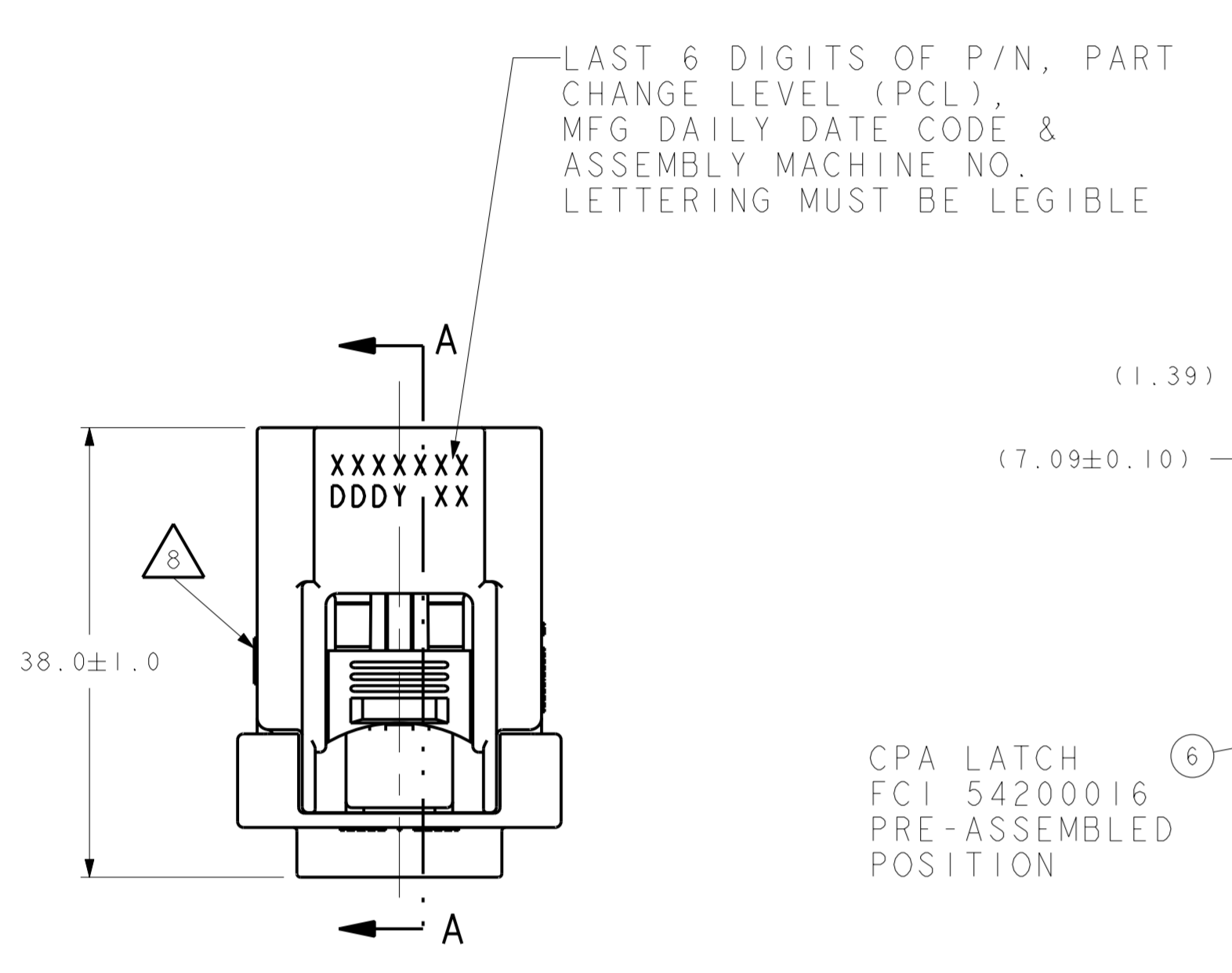


DETAIL Z SCALE 4:1

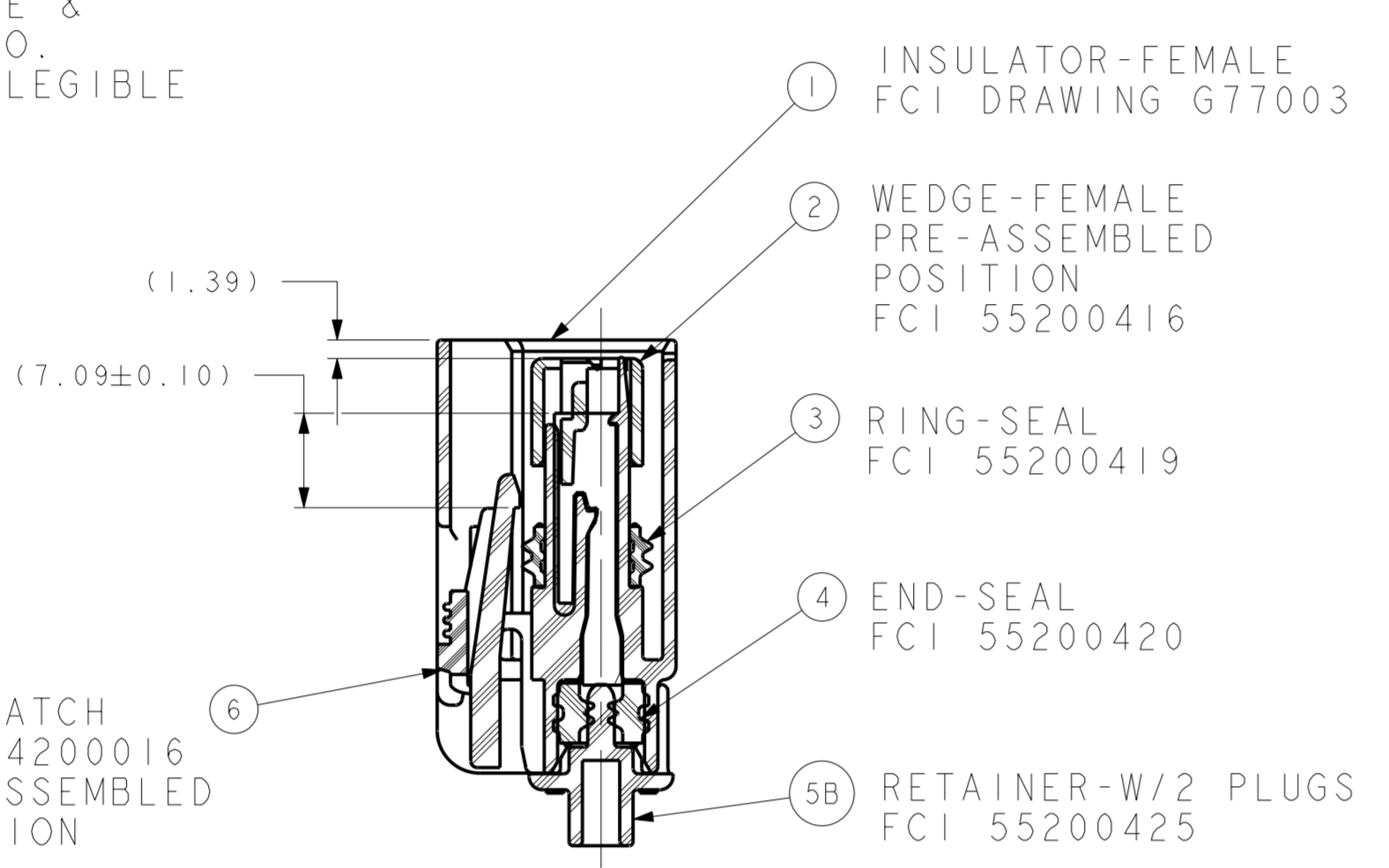


SECTION C-C

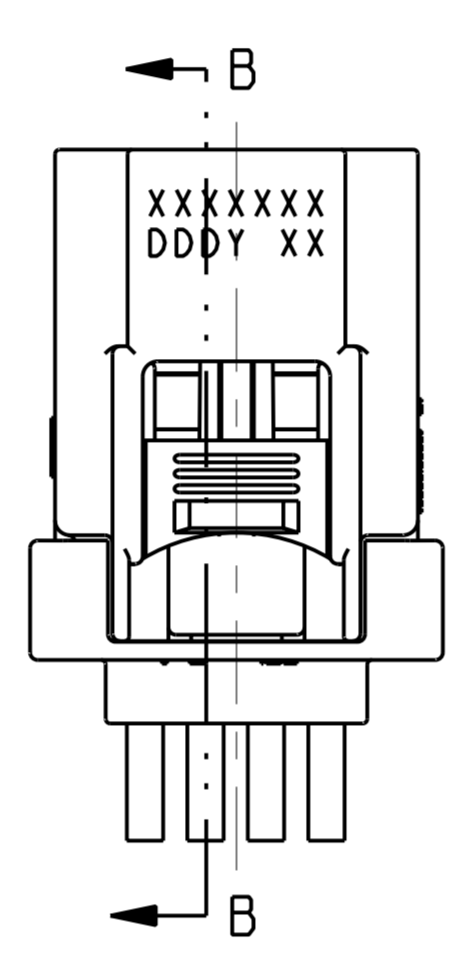
INSULATOR VIEWS (FOR REFERENCE ONLY)



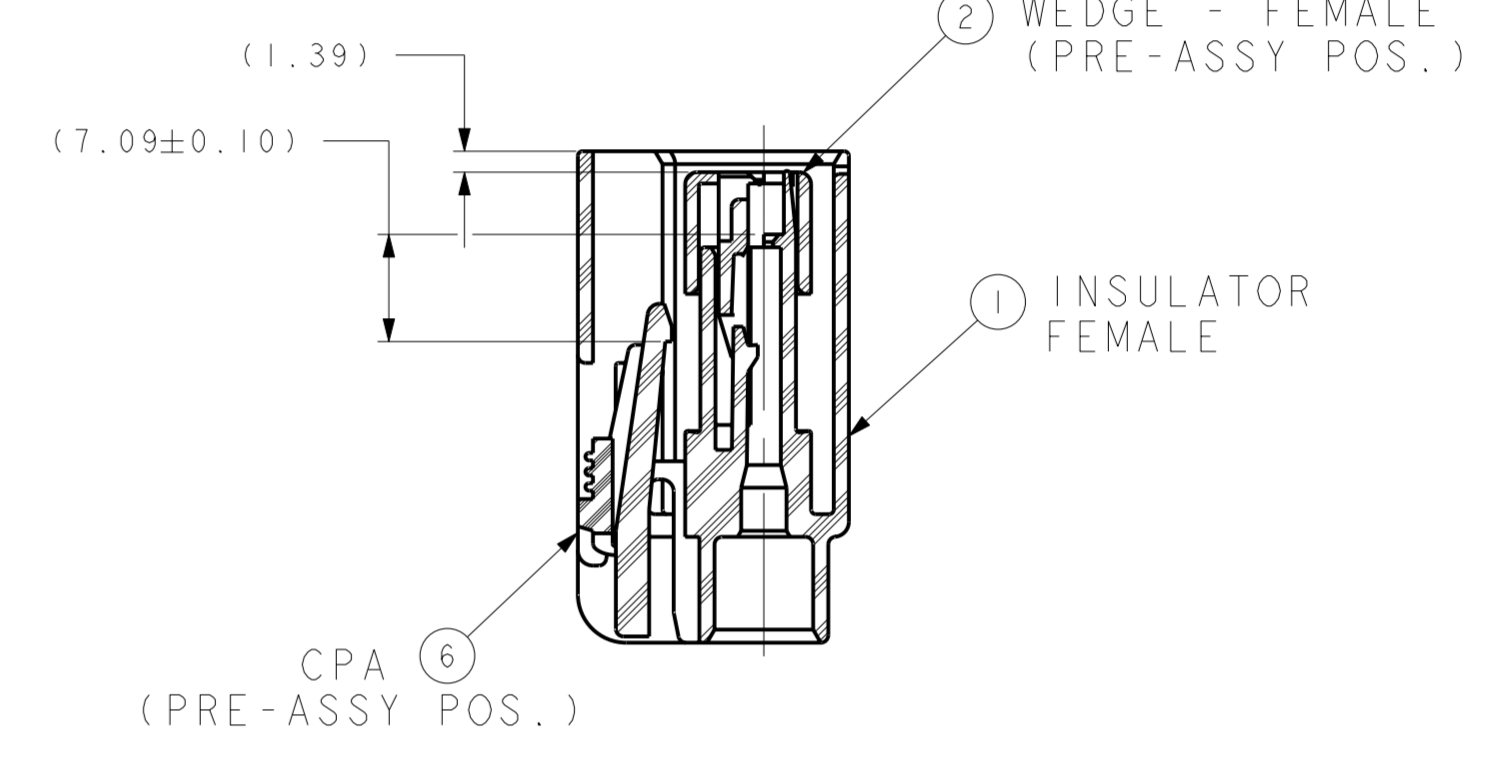
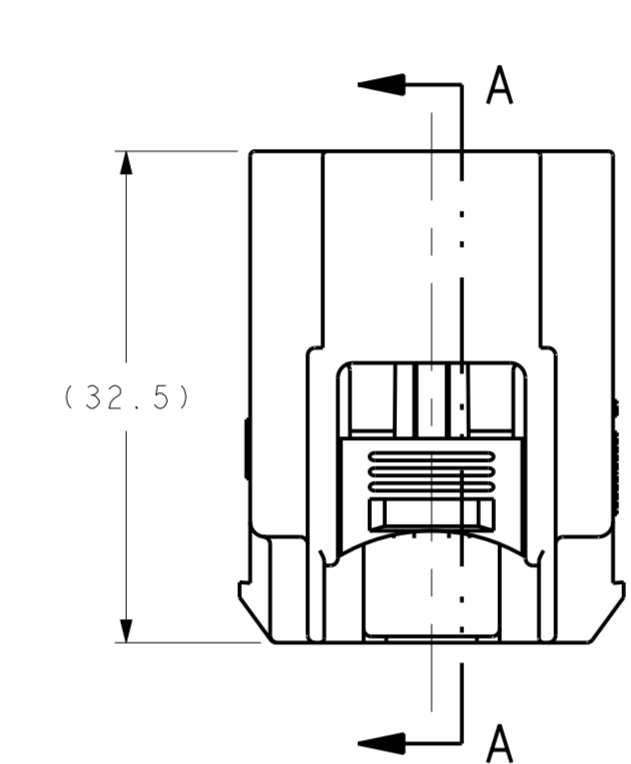
LAST 6 DIGITS OF P/N, PART CHANGE LEVEL (PCL), MFG DAILY DATE CODE & ASSEMBLY MACHINE NO. LETTERING MUST BE LEGIBLE



SECTION A-A SEALED ASSEMBLY VIEW FOR REFERENCE ONLY

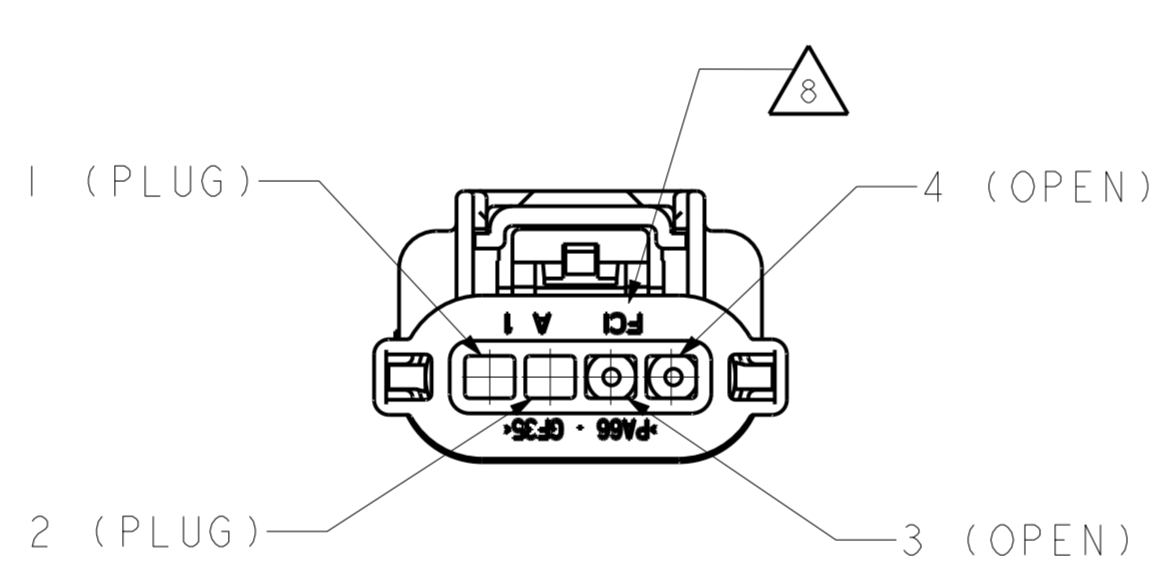
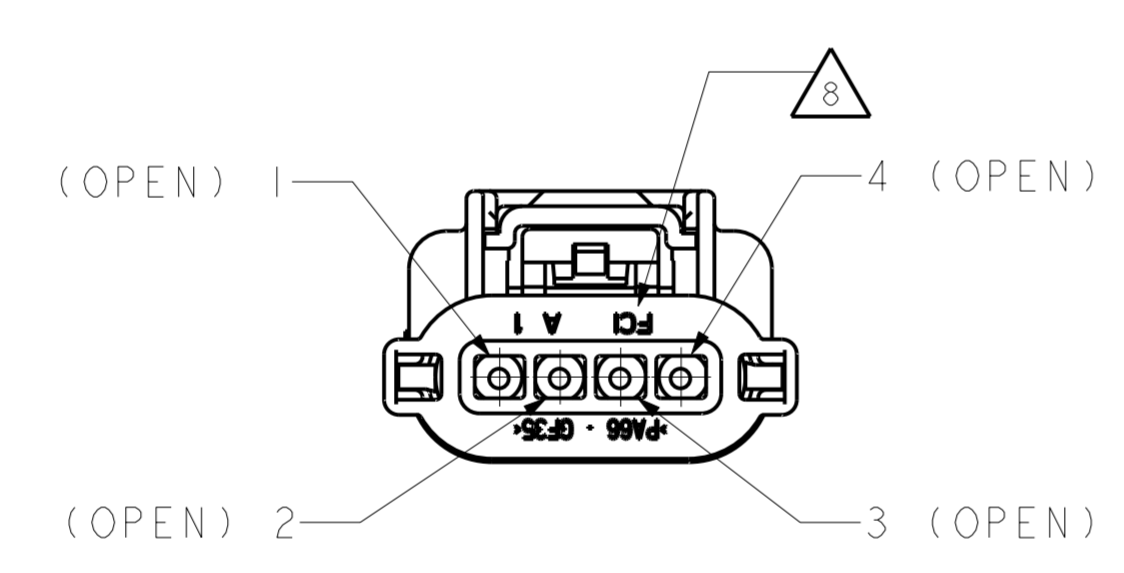
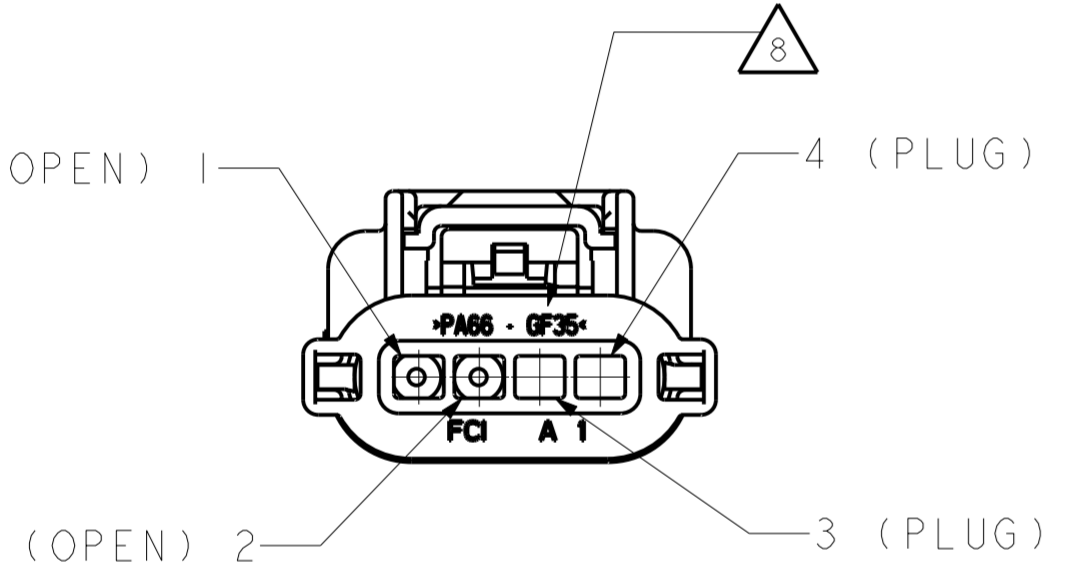


SECTION B-B SEALED ASSEMBLY VIEW FOR REFERENCE ONLY



SECTION A-A

UNSEALED ASSEMBLY VIEW



#1 SRS OPTION
CIRCUIT #1 & 2 OPEN
CIRCUIT #3 & 4 PLUGGED
(UNSEALED ALL CAVITIES OPEN)

#2 SRS OPTION
ALL CIRCUITS OPEN
(UNSEALED ALL CAVITIES OPEN)

#3 SRS OPTION
CIRCUIT #1 & 2 PLUGGED
CIRCUIT #3 & 4 OPEN
(UNSEALED ALL CAVITIES OPEN)

NOTES:

- ▲ QUALITY ASSURANCE REQUIREMENTS PER CHRYSLER PS-7300 SPC DATE REQUIRED
- ▲ ENGINEERING APPROVAL OF SUPPLIER SAMPLES IS REQUIRED PRIOR TO AUTHORIZATION OF PART PRODUCTION
- ▲ CHANGES IN DESIGN COMPOSITION OR PROCESSING FROM THE PART PREVIOUSLY APPROVED FOR PART PRODUCTION REQUIRES PRIOR ENGINEERING APPROVAL
- ▲ WIRING FABRICATIONS MUST SPECIFY PROPER INSULATION TYPE FOR TEMPERATURE CLASS THE CONNECTOR SYSTEM IS USED FOR
- ▲ ALL THE SEALED CONNECTOR APPLICATIONS MUST BE USED WITH CHRYSLER WIRE SPECIFICATION MSB288, MS9502 OR MS7889 20, 18, OR 16 GAGE WIRES ONLY UNLESS OTHERWISE SPECIFIED (WIRE INSULATIONS Ø 1.50 MINIMUM TO Ø 2.41 MAXIMUM)
- ▲ ALL NON-SEALED APPLICATIONS MAY BE USED WITH ANY WIRE INSULATION 22 GAGE THROUGH 14 GAGE (EXCEPT AS NOTED) PROVIDING THAT A TERMINAL GRIP FOR THAT CORE/INSULATION COMBINATION IS SHOWN ON THE FEMALE TERMINAL DRAWING
- ▲ TEST METHOD PER SAE/JSCAR-2 REV 3 EXCEPT AS NOTED ABOVE
- ▲ SUPPLIER, MOLD & CAVITY I.D. SIGNIFIES TOOL OWNERSHIP, FOR REFERENCE
- ▲ ANNUAL QUALITY REQUIREMENTS: IT IS PERMISSIBLE TO PERFORM CONTINUOUS CONFORMANCE PER FC1 SPECIFICATION #80A-001 INSTEAD OF ANNUAL LAYOUT & ANNUAL PV REQUIREMENTS OF QS 9000 SECTION 2 & SAE/JSCAR-2 REV 5
- ▲ ALL NON-REFERENCE DIMENSIONS ARE REQUIRED
- ▲ MUST CONFORM TO THE FOLLOWING CHRYSLER/YNA STANDARDS: SAE/JSCAR-2 REV 3 EXCEPT AS NOTED ABOVE PS- 7300 QUALITY ASSURANCE (CHRYSLER) PS- 4480 - CER- 4 (CHRYSLER) PART I.D., (G- 009- 2 YNA) PS- 9227 DATA EXCHANGE (CHRYSLER), (G- 009- 7 YNA) PS- 10052 INFORMATION SECURITY (CHRYSLER)
- ▲ USE WITH: CAVITY PLUG- FC1 P/N 54399002 WHEN REQUIRED USE WITH 1.5MM APEX FEMALE TERMINAL SEE C18001-CUST TERMINAL IS SYMMETRICAL AROUND CENTERLINE HAS 180° ORIENTATION CAPABILITY
- ▲ RETAINER P/N 55200425 IS NOT POLARIZED AND IT MUST HAVE PROPER PLUG LOCATION FOR SINGLE SHORTING CLIP OR 2-WAY APPLICATION SEE SAFETY RESTRAINT SYSTEM (SRS) OPTION VIEWS AND CHART

CHART- ASSEMBLY PART NUMBERS

UN-SEALED		SEALED	
IN-LINE	SRS APPLICATION	IN-LINE	
55200430			
55200431			
55200432			
55200433			
54550411			
54550410			
54550408			
54550406			
54550415			
54550420			
55200400			
55200402			
55200403			

REQUIRED	REQUIRED	ITEM	FCI	P/N'S	PART NAME	COLOR	MATERIAL
		1		55200412	INS POL TYPE "A"	BRT YELLOW	A3EG7
		1		55200413	INS POL TYPE "B"	LT YELLOW	A3EG7
		1		55200408	INS POL TYPE "A"	BLACK	A3EG7
		1		55200409	INS POL TYPE "B"	LT.GRAY	A3EG7
		1		55200410	INS POL TYPE "C"	DK.GRAY	A3EG7
		1		55200411	INS POL TYPE "D"	NATURAL	A3EG7
		2		55200416	WEDGE-FEMALE	ROYAL BLUE	A3EG7
		3		55200419	RING SEAL	BRT RED	SILICONE
		4		55200420	END SEAL	BURNT ORANGE	SILICONE
		5A		55200418	RETAINER - NO PLUGS	NATURAL	A3EG7
		5B		55200425	RETAINER WITH TWO PLUGS SEE ASSY OPTION 1 & 3 FOR PLUGS LOCATION	BLACK	A3EG7
		6		54200016	CPA LATCH	RED	A3EG7

CONN ASSY TEMPERATURE CLASS PER SAE/JSCAR-2 REV 5
PART CHANGE LEVEL (PCL)

FEMALE ASSY	POL	MALE ASSY	SRS OPTION	ASSEMBLY TYPE	SLD	COLOR
54550410	A	54550421	#3	W/CLIP	NO	BRT YELLOW
54550411	B	54550418	#1	W/CLIP	NO	LT YELLOW
54550410	A	54550414	#1	W/CLIP	NO	BRT YELLOW
54550411	B	F288110		W/O CLIP		
54550411	B	54550417	#2	W/CLIP	NO	LT YELLOW
54550410	A	F188110		W/O CLIP		
54550410	A	54550413	#2	W/CLIP	NO	BRT YELLOW
54550405	B	F088110		W/O CLIP	YES	LT YELLOW
54550405	B	54550412	#1	W/CLIP	YES	LT YELLOW
54550408	B	F978110		W/O CLIP	YES	LT YELLOW
54550408	B	54550407	#2	W/CLIP	YES	LT YELLOW
54550406	A	F878110		W/O CLIP	YES	BRT YELLOW
54550406	A	54550409	#1	W/CLIP	YES	BRT YELLOW
54550415	A	F778110		W/O CLIP	YES	BRT YELLOW
54550415	A	54550416	#2	W/CLIP	YES	BRT YELLOW
54550420	A	F398110		W/O CLIP	YES	BRT YELLOW
54550420	A	54550419	#3	W/CLIP	YES	BRT YELLOW
55200433	D	55200437		IN-LINE	NO	NATURAL
55200432	C	55200436		IN-LINE	NO	DK GRAY
55200431	B	55200435		IN-LINE	NO	LT GRAY
55200430	A	55200434		IN-LINE	NO	BLACK
55200403	D	55200407		IN-LINE	YES	NATURAL
55200402	C	55200406		IN-LINE	YES	DK GRAY
55200401	B	55200405		IN-LINE	YES	LT GRAY
55200400	A	55200404		IN-LINE	YES	BLACK

MATING PART NUMBER CHART

REV. NUMBER	DATE	BY	REVISION	ZONE	CHANGE DESCRIPTION	DRAWN BY	CHK. BY	APP. BY
1	08-15-11	E	003, 022		WIRING P/N CHART UPDATED SRS OPTION WAS SHORTING BAR OPTION NOTE TO REVISED	RA	SSS	SSS
2	05-15-08	D2	E22		WIRING P/N CHART UPDATED FOR SECURITY WIRE UNSEALED WITH CAVITY PLUG A SAFETY PLUG A BRT YELLOW RETAINER IN OPTION 1 FOR CORRECT. ADD	RA	SSS	SSS
3	11-30-07	D1	020		OPTIONAL: ADD TO 1.50 DIMENSION OPTIONAL REMOVED FROM PART ID NOTE	RA	SSS	SSS
4	9-17-07	D	E15, C22		REVISION 6 REWORK ON NEW FC1 TITLED DESIGN	DRK	SSS	SSS
5	8-8-06	C	C6, C4		REVISION 5 REWORK ON NEW P/N 1, ADD A CHART UPDATED SEE REV 4 FOR PREVIOUS CHANGES SHORTING BAR INSULATOR COLORS REVISED	DRK	SSS	SSS

X-ON Electronics

Largest Supplier of Electrical and Electronic Components

Click to view similar products for [Automotive Connectors](#) category:

Click to view products by [APTIV](#) manufacturer:

Other Similar products are found below :

[003-018-000](#) [60403001](#) [60993906-B](#) [629515004020001](#) [M902-2131](#) [M902-2161](#) [72.330.1035.1](#) [73.353.4028.0](#) [F119300-B](#) [F166900](#)
[F258300-B](#) [F358300-B](#) [F407400](#) [F444110](#) [F487000](#) [F509500B-B](#) [827153-1](#) [8N1515-32-24P](#) [9-1326729-8](#) [925474-1](#) [928905-1](#) [964562-4](#)
[968782-1](#) [GT17SA-8DS-HU](#) [98891-1012](#) [98947-1016](#) [12004475-L](#) [12010290](#) [12010309-B](#) [12015454](#) [12020219-B](#) [12020308](#) [12041318-B](#)
[12052225-L](#) [12052466](#) [12059125](#) [12064869](#) [12004327-B](#) [12010503-B](#) [12015308](#) [12015384](#) [12015909](#) [1-21030-1](#) [12041254](#) [12041318](#)
[12047946-B](#) [12047957](#) [12047957-L](#) [12059473](#) [12066261](#)