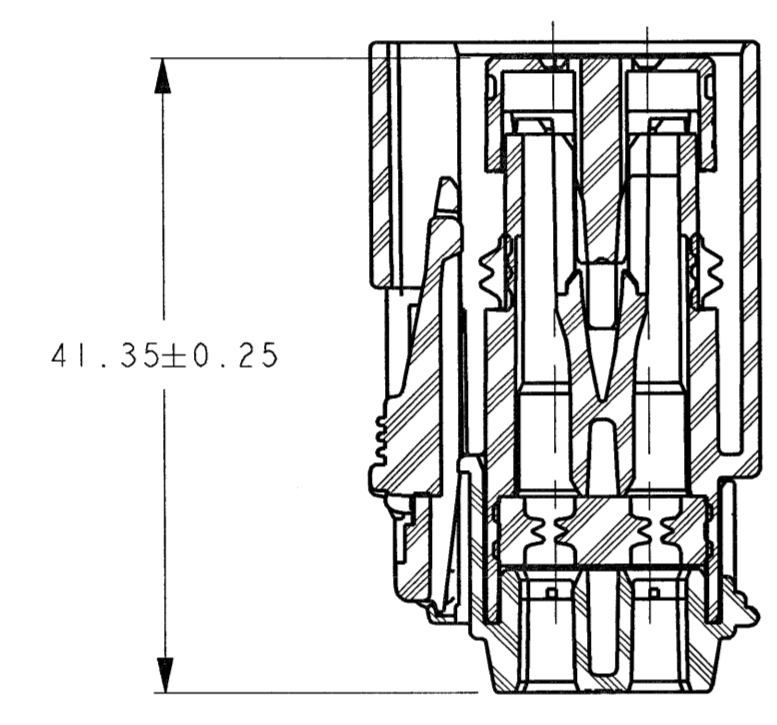
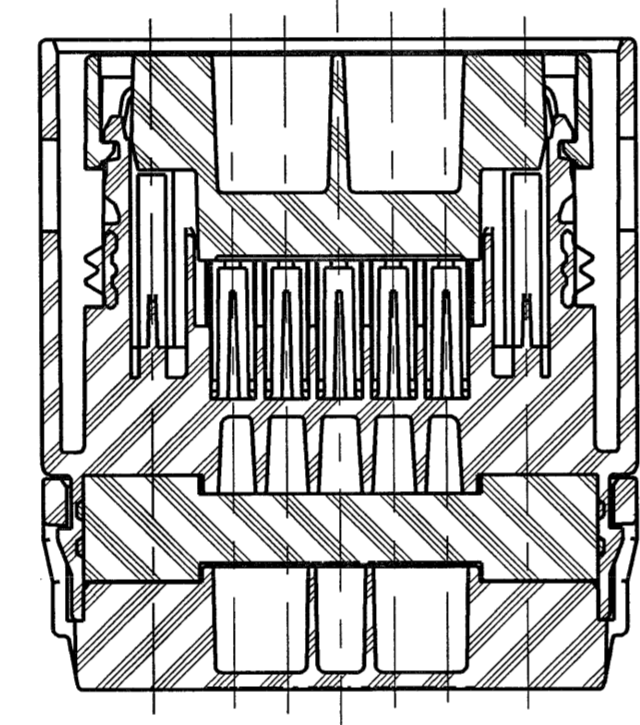


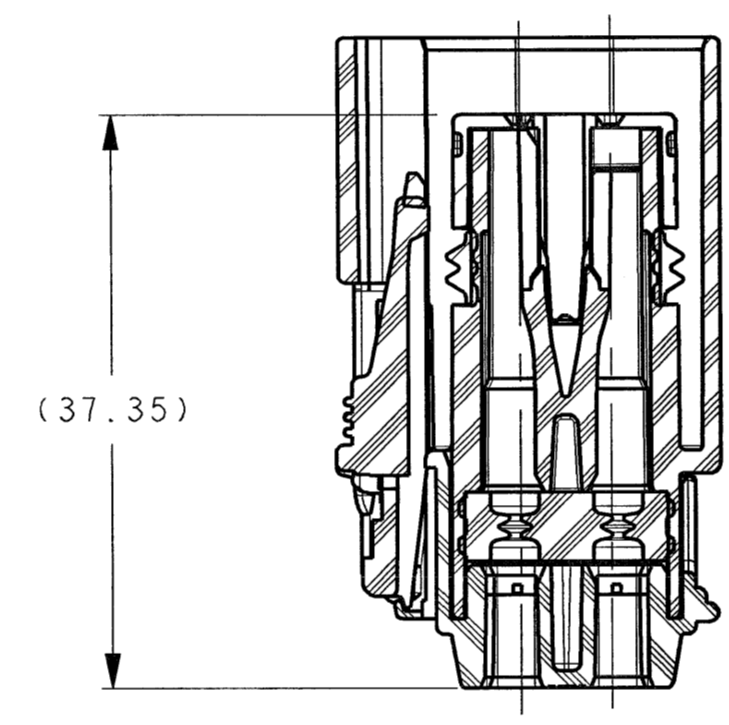
SCALE 2:1



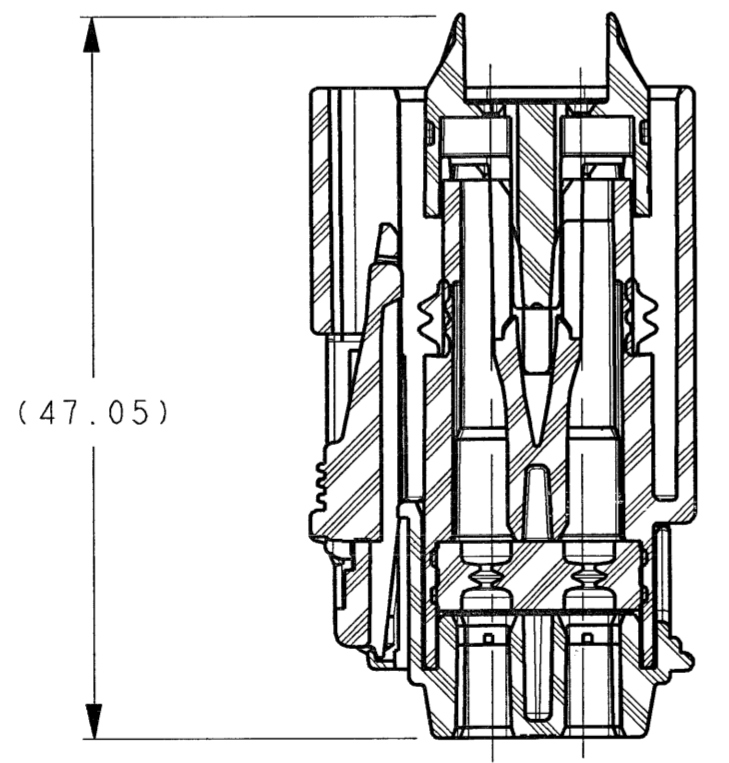
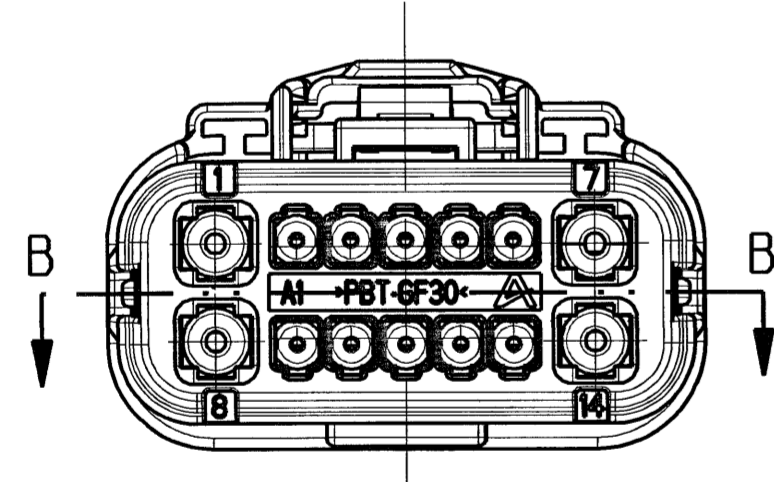
SECTION A-A
C.P.A & T.P.A IN PRE-ASSEMBLED POSITION
(SHOWN WITH OPTIONAL C.P.A)



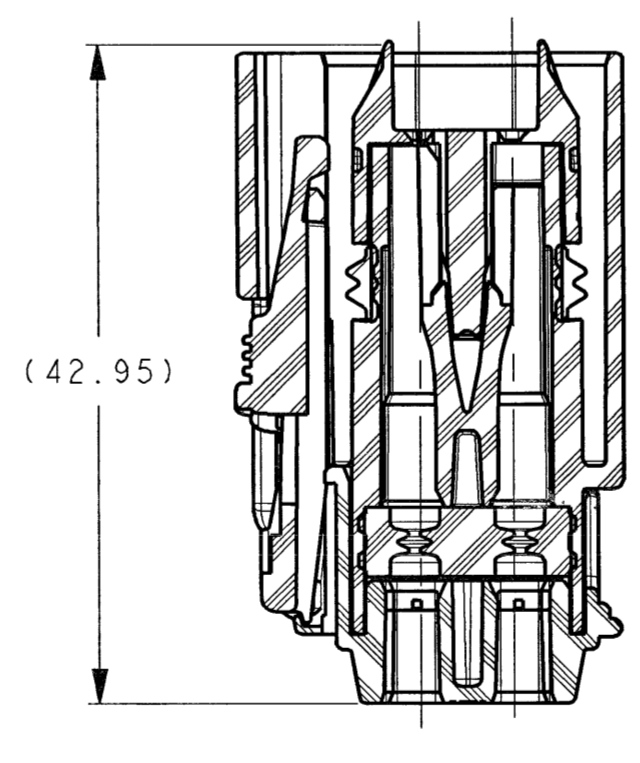
SECTION B-B



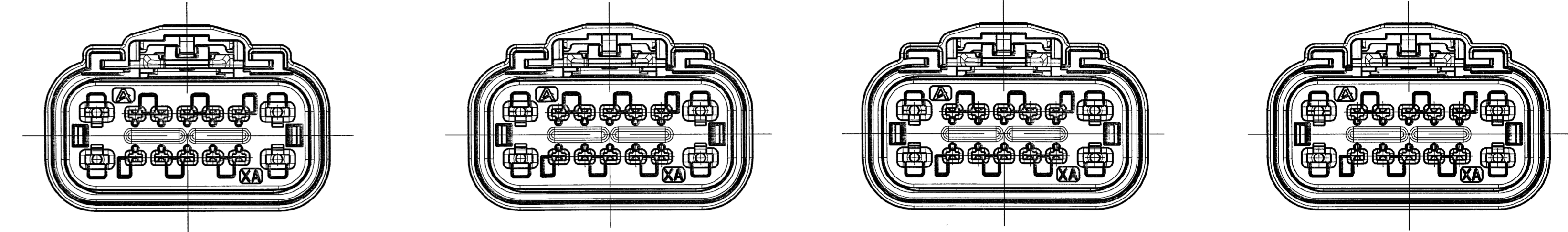
SECTION
C.P.A & T.P.A IN FINAL POSITION



SECTION A-A
T.P.A IN PRE-LOCK POSITION

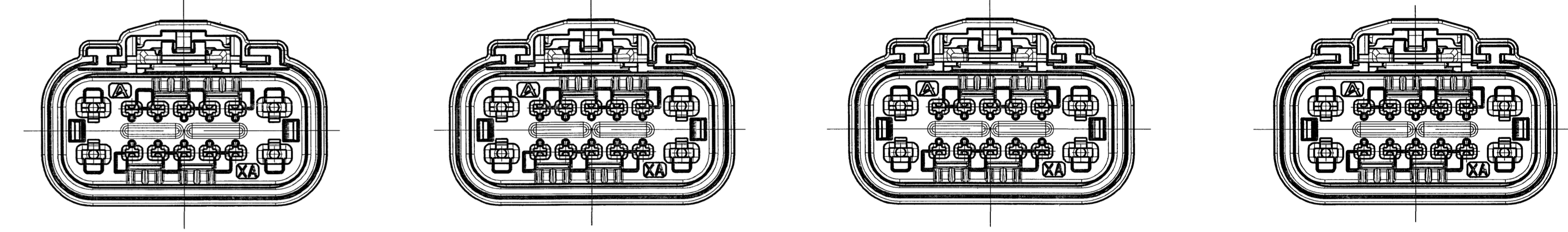


SECTION A-A
T.P.A IN FINAL LOCK POSITION



"OPTION - A" "OPTION - B" "OPTION - C" "OPTION - D"

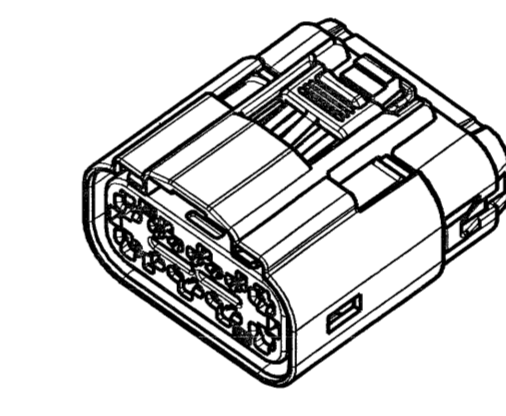
FEMALE ASSEMBLY WITHOUT SHORTING BAR ACTUATING CAM



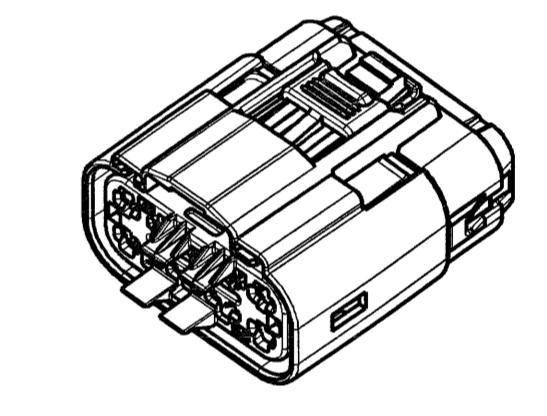
"OPTION - E" "OPTION - F" "OPTION - G" "OPTION - H"

FEMALE ASSEMBLY WITH SHORTING BAR ACTUATING CAM ON T.P.A

POLARIZATION OPTIONS



VIEW WITHOUT SHORTING BAR ACTUATING CAM



VIEW WITH SHORTING BAR CAM

ISO-VIEWS, FULL SIZE

SUPPLIER COMP PART NUMBER	APPLICABLE COMPONENTS		
	ITEM DESCRIPTION	PLATING	GRIP SIZE
54001625	APEX 150 TERMINAL	TIN	16,18
54002000	APEX 150 TERMINAL	TIN	20,22
54001627	APEX 150 TERMINAL	GOLD	16,18
54002002	APEX 150 TERMINAL	GOLD	20,22
54001208	APEX 2.8 TERMINAL	TIN	12
54001431	APEX 2.8 TERMINAL	TIN	14,16
54001839	APEX 2.8 TERMINAL	TIN	18
54240002	APEX 150 2.8mm SEAL PLUG - FEMALE	-	-
54241629	APEX 150 UNIVERSAL SEAL PLUG	-	-

NOTES:

- MAXIMUM TEMPERATURE CLASS: CLASS 111 (125°C)
- TEST METHOD PER: SEE CHART
- CONNECTOR MAY BE USED WITH THE FOLLOWING RANGE OF WIRE SIZES AND TYPES:
 - APEX 150 TERMINALS:
 - SIZE: 22 GAGE- 16 GAGE- 1.50mm MIN O.D. TO 2.41mm MAX O.D.
 - TYPE: TXL (MIL 123-A / MS-8288)
 - APEX 2.8 TERMINALS:
 - SIZE: 18 GAGE- 12 GAGE- 1.90mm MIN O.D. TO 3.30mm MAX O.D.
 - TYPE: TXL (MIL 123-A / MS-8288)
- CONNECTOR MAY BE USED WITH THE FOLLOWING TERMINALS:
 - FCI APEX150 AND APEX 2.8 WITH WIRE SIZES DEFINED IN NOTE 3. SEE FCI DRAWINGS J54009 AND CI5004 FOR SPECIFIC PART NUMBERS AND CRIMPING REQUIREMENTS.
 - CONTACT FCI ENGINEERING REGARDING USE OF COMPATIBLE NON FCI TERMINALS.
- ANNUAL QUALITY REQUIREMENTS: IT IS PERMISSIBLE TO PERFORM CONTINUOUS CONFORMANCE PER FCI SPECIFICATION #AQA-001 INSTEAD OF ANNUAL LAYOUT AND ANNUAL TV REQUIREMENTS OF QS-9000 SECTION 2 AND SAE/USCAR-2.

UNCONTROLLED
FCI AUTOMOTIVE
12/6/2007
AMERICAS
FCI MASTER COPY WHEN IN RED

10059	12/05/07	R	DRAWING	SEE DAT #1	RCB	RCB	FAM
ITEM NO.	DATE	REV.	BY	CHK.	APP.	CHK.	APP.
PROJECT SPEC.	PACKING SPEC.	APPLICATION SPEC.	THIS DRAWING AND ALL OTHER INFORMATION CONTAINED HEREIN IS PROPRIETARY AND THE PROPERTY OF FCI. Its disclosure or use by any other party without the express written permission of FCI is prohibited.				
REFERENCES:	MATERIAL:	SURFACE FINISH:	FCI				
QUANTITY:	DRUM:	DRUM WGT. (kg):	DRUM WGT. (lb):	A.O. NET			
DO NOT SCALE DRAWING	SCALE:	DRUM WGT. (kg):	DRUM WGT. (lb):	A.O. NET			
DATE:	NAME:	TITLE:	APPROVAL NUMBER:	K53002			
DRAWN:	DATE:	NAME:	TITLE:	ASSEMBLY 14 WAY HYBRID FEMALE			
DATE:	NAME:	TITLE:	APPROVAL NUMBER:	K53002			
DATE:	NAME:	TITLE:	APPROVAL NUMBER:	K53002			
DATE:	NAME:	TITLE:	APPROVAL NUMBER:	K53002			

X-ON Electronics

Largest Supplier of Electrical and Electronic Components

Click to view similar products for [Automotive Connectors](#) category:

Click to view products by [APTIV](#) manufacturer:

Other Similar products are found below :

[003-018-000](#) [60403001](#) [60993906-B](#) [629515004020001](#) [M902-2131](#) [M902-2161](#) [72.330.1035.1](#) [73.353.4028.0](#) [F119300-B](#) [F166900](#)
[F258300-B](#) [F358300-B](#) [F407400](#) [F444110](#) [F487000](#) [F509500B-B](#) [827153-1](#) [8N1515-32-24P](#) [9-1326729-8](#) [925474-1](#) [928905-1](#) [964562-4](#)
[968782-1](#) [GT17SA-8DS-HU](#) [98891-1012](#) [98947-1016](#) [12004475-L](#) [12010290](#) [12010309-B](#) [12015454](#) [12020219-B](#) [12020308](#) [12041318-B](#)
[12052225-L](#) [12052466](#) [12059125](#) [12064869](#) [12004327-B](#) [12010503-B](#) [12015308](#) [12015384](#) [12015909](#) [1-21030-1](#) [12041254](#) [12041318](#)
[12047946-B](#) [12047957](#) [12047957-L](#) [12059473](#) [12066261](#)