

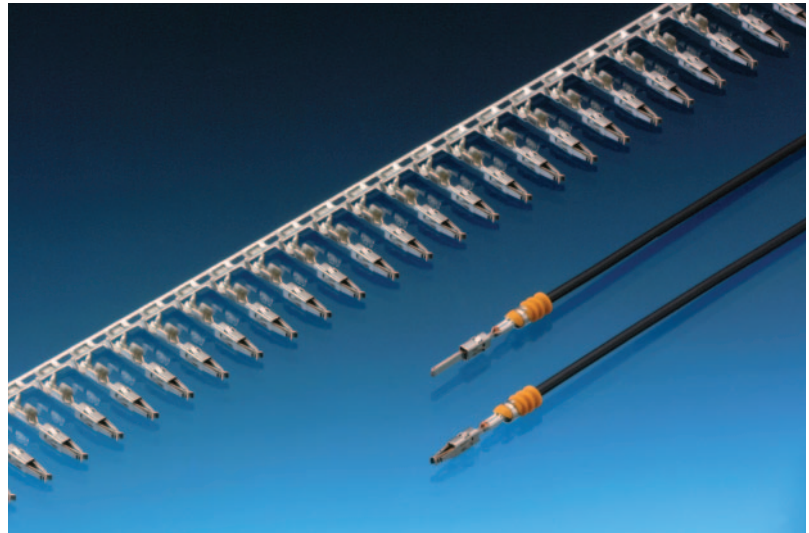
## DCS-2



## 1.5 mm female and male terminals

## Features

- DCS-2 technology
- Long contact mating force
- Long auxiliary steel spring in CrNi
- 4 mm pitch
- Single wire seal versions available
- Crimp code on terminal
- Suitable for secondary lock
- Selective gold-plated versions available
- Standard product



## Performance characteristics\*

- Contact resistance: < 2 mΩ
- Contact mating force: < 7 N
- Contact unmating force: < 4 N
- Current carrying capacity with 1.5 mm<sup>2</sup> wire:
 

|                         |      |
|-------------------------|------|
| at 23°C up to approx.:  | 20 A |
| at 85°C up to approx.:  | 15 A |
| at 100°C up to approx.: | 10 A |

\* Mated with 1.5 x 0.6 mm DCS-2 male terminal (Sn)

## Packing

- No. of terminals per reel: Consult us
- No. of reels per packing: Consult us

## Tooling

- Manual crimping tool: Consult us
- Mini applicator: Consult us

| Part Numbers      | Type   | Wire size range<br>(in mm <sup>2</sup> ) |      | Insulation Ø<br>(in mm)<br>Max. | Material  | Plating |
|-------------------|--------|--|------|---------------------------------|-----------|---------|
|                   |        | Min.                                     | Max. |                                 |           |         |
| 6 000 05 11       | Female | 0.20                                     | 0.35 | 1.30                            | CuFe/CrNi | Sn      |
| 6 000 05 14       | Female | 0.20                                     | 0.35 | 1.30                            | CuSn/CrNi | Au      |
| 6 000 05 31       | Female | 0.50                                     | 1.00 | 2.10                            | CuFe/CrNi | Sn      |
| 6 000 05 34       | Female | 0.50                                     | 1.00 | 2.10                            | CuSn/CrNi | Au      |
| 6 000 05 41       | Female | > 1.00                                   | 1.50 | 2.40                            | CuFe/CrNi | Sn      |
| 6 000 06 11 (SWS) | Female | 0.20                                     | 0.35 | 1.60                            | CuFe/CrNi | Sn      |
| 6 000 06 14 (SWS) | Female | 0.20                                     | 0.35 | 1.60                            | CuSn/CrNi | Au      |
| 6 000 06 31 (SWS) | Female | 0.50                                     | 1.00 | 2.00                            | CuFe/CrNi | Sn      |
| 6 000 06 34 (SWS) | Female | 0.50                                     | 1.00 | 2.00                            | CuSn/CrNi | Au      |
| 6 000 06 41 (SWS) | Female | > 1.00                                   | 1.50 | 2.40                            | CuFe/CrNi | Sn      |
| 6 010 06 11       | Male   | 0.20                                     | 0.35 | 1.30                            | CuFe/CrNi | Sn      |
| 6 010 06 14       | Male   | 0.20                                     | 0.35 | 1.30                            | CuSn/CrNi | Au      |
| 6 010 06 31       | Male   | 0.50                                     | 1.00 | 2.10                            | CuFe/CrNi | Sn      |

SWS: Single Wire Seal

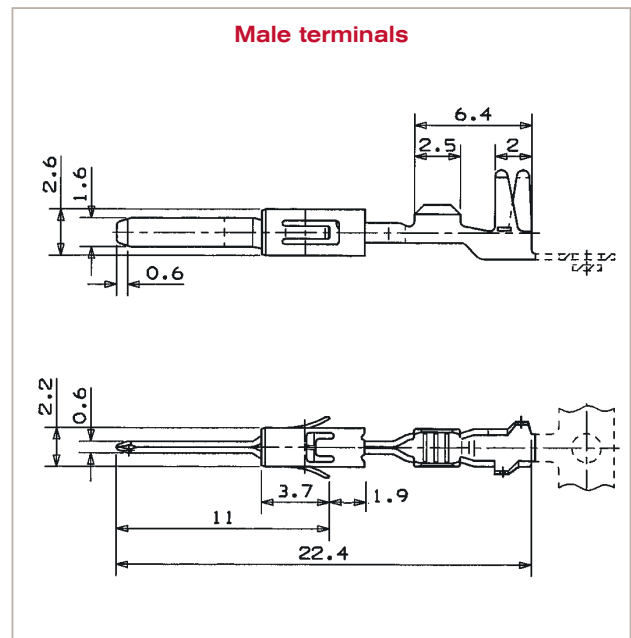
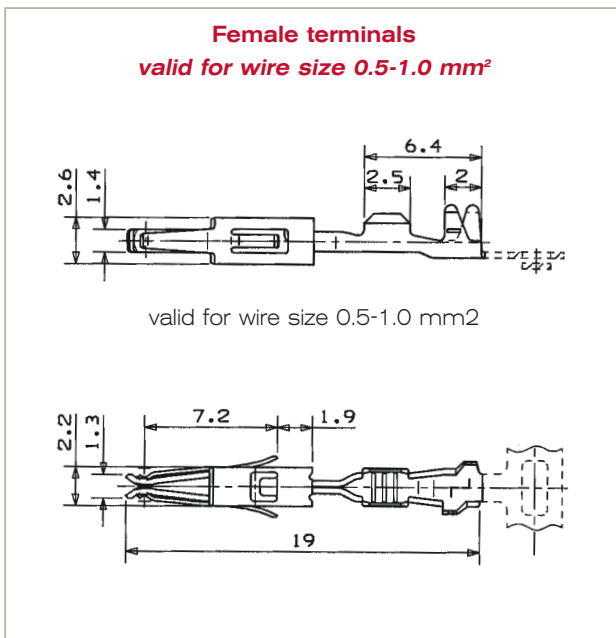
# DCS-2

## 1.5 mm female and male terminals

| Part Numbers      | Type | Wire size range (in mm <sup>2</sup> ) |      | Insulation Ø (in mm) | Material  | Plating |
|-------------------|------|---------------------------------------|------|----------------------|-----------|---------|
|                   |      | Min.                                  | Max. | Max.                 |           |         |
| 6 010 06 34       | Male | 0.50                                  | 1.00 | 2.10                 | CuSn/CrNi | Au      |
| 6 010 06 41       | Male | > 1.00                                | 1.50 | 2.40                 | CuFe/CrNi | Sn      |
| 6 010 07 11 (SWS) | Male | 0.20                                  | 0.35 | 1.60                 | CuFe/CrNi | Sn      |
| 6 010 07 14 (SWS) | Male | 0.20                                  | 0.35 | 1.60                 | CuSn/CrNi | Au      |
| 6 010 07 31 (SWS) | Male | 0.50                                  | 1.00 | 2.00                 | CuFe/CrNi | Sn      |
| 6 010 07 34 (SWS) | Male | 0.50                                  | 1.00 | 2.00                 | CuSn/CrNi | Au      |
| 6 010 07 41 (SW)  | Male | > 1.00                                | 1.50 | 2.40                 | CuFe/CrNi | Sn      |

SWS: Single Wire Seal

### Dimensional characteristics



Notes :

---

---

---

---

---

---

---

---

---

---

## X-ON Electronics

Largest Supplier of Electrical and Electronic Components

*Click to view similar products for [Automotive Connectors](#) category:*

*Click to view products by [APTIV](#) manufacturer:*

Other Similar products are found below :

[003-018-000](#) [60403001](#) [60993906-B](#) [M902-2131](#) [M902-2161](#) [72.330.1035.1](#) [73.353.4028.0](#) [F119300-B](#) [F166900](#) [F258300-B](#) [F358300-B](#)  
[F407400](#) [F444110](#) [F487000](#) [F509500B-B](#) [827153-1](#) [8N1515-32-24P](#) [9-1326729-8](#) [925474-1](#) [928905-1](#) [964562-4](#) [968782-1](#) [GT17SA-8DS-](#)  
[HU](#) [98891-1012](#) [98947-1016](#) [12004475-L](#) [12010290](#) [12010309-B](#) [12015454](#) [12020219-B](#) [12020308](#) [12041318-B](#) [12052225-L](#) [12052466](#)  
[12059125](#) [12064869](#) [12004327-B](#) [12010503-B](#) [12015308](#) [12015384](#) [12015909](#) [1-21030-1](#) [12041254](#) [12041318](#) [12047946-B](#) [12047957](#)  
[12047957-L](#) [12059473](#) [12066261](#) [12110546](#)