

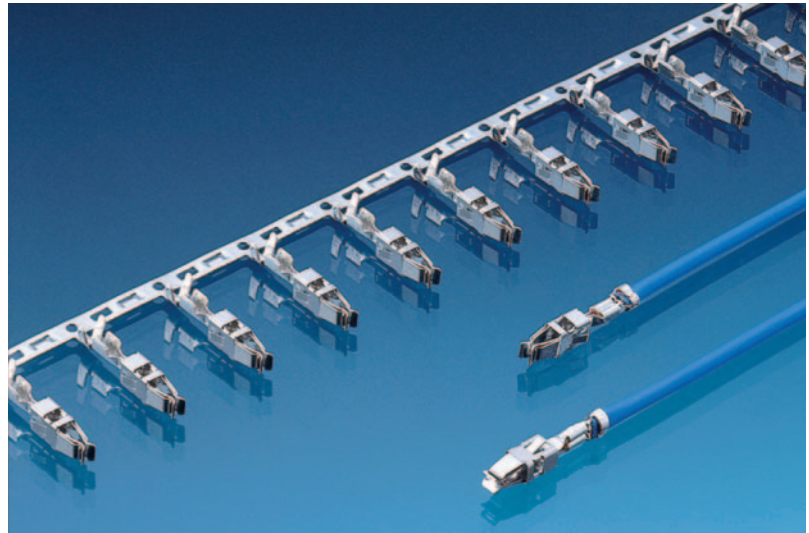
DCS-2



2.8 mm female and male terminals

Features

- DCS-2 technology
- Long auxiliary steel spring in CrNi
- 5 mm pitch for unsealed applications
- 6 mm pitch for sealed applications with single wire seal
- Single wire seal versions available
- Crimp code on terminal
- Suitable for secondary lock
- Selective gold-plated versions available



Performance characteristics*

- Contact resistance: < 2 mΩ
- Contact mating force: < 9 N
- Contact unmating force: < 5 N
- Current carrying capacity with 2.5 mm² wire:

at 23°C up to approx.:	33 A
at 85°C up to approx.:	22 A
at 100°C up to approx.:	17 A

* Mated with 2.8 x 0.8 mm DCS-2 male terminal (Sn)

Packing

- No. of terminals per reel: Consult us
- No. of reels per packing: Consult us

Tooling

- Manual crimping tool: Consult us
- Mini applicator: Consult us

Part Numbers	Type	Wire size range (in mm ²)		Insulation Ø (in mm) Max.	Material	Plating
		Min.	Max.			
6 001 28 11	Female	0.20	0.35	1.30	CuSn/CrNi	Sn
6 001 28 31	Female	0.50	1.00	2.00	CuSn/CrNi	Sn
6 001 28 41	Female	> 1.00	2.50	3.00	CuSn/CrNi	Sn
6 001 29 11 (SWS)	Female	0.20	0.35	1.30	CuSn/CrNi	Sn
6 001 29 31 (SWS)	Female	0.50	1.00	2.00	CuSn/CrNi	Sn
6 001 29 41 (SWS)	Female	> 1.00	2.50	3.00	CuSn/CrNi	Sn
6 001 40 11	Female	0.20	0.35	1.30	CuFe/CrNi	Sn
6 001 40 31	Female	0.50	1.00	2.00	CuFe/CrNi	Sn
6 001 40 41	Female	> 1.00	2.50	3.00	CuFe/CrNi	Sn
6 011 06 11	Male	0.20	0.35	1.30	CuFe/CrNi	Sn
6 011 06 31	Male	0.50	1.00	2.00	CuFe/CrNi	Sn
6 011 06 41	Male	> 1.00	2.50	3.00	CuFe/CrNi	Sn

SWS: Single Wire Seal

DCS-2

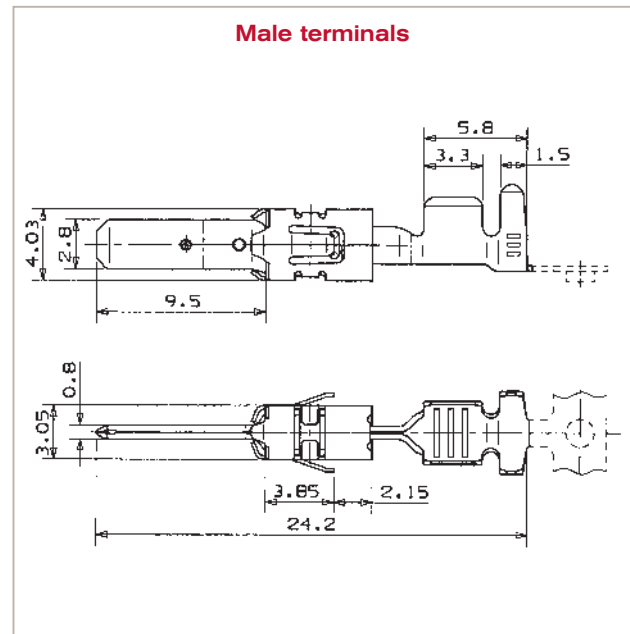
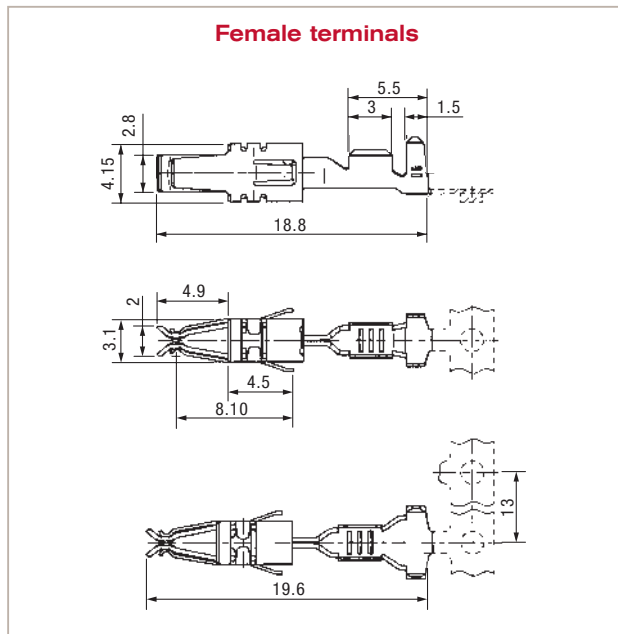


2.8 mm female and male terminals

Part Numbers	Type	Wire size range (in mm ²)		Insulation Ø (in mm)	Material	Plating
		Min.	Max.	Max.		
6 011 06 14	Male	0.20	0.35	1.30	CuSn/CrNi	Au
6 011 06 34	Male	0.50	1.00	2.00	CuSn/CrNi	Au
6 011 06 44	Male	> 1.00	2.50	3.00	CuSn/CrNi	Au
6 011 07 11 (SWS)	Male	0.20	0.35	1.30	CuFe/CrNi	Sn
6 011 07 31 (SWS)	Male	0.50	1.00	2.00	CuFe/CrNi	Sn
6 011 07 41 (SWS)	Male	> 1.00	2.50	3.00	CuFe/CrNi	Sn
6 011 07 14 (SWS)	Male	0.20	0.35	1.30	CuSn/CrNi	Au
6 011 07 34 (SWS)	Male	0.50	1.00	2.00	CuSn/CrNi	Au
6 011 07 44 (SWS)	Male	> 1.00	2.50	3.00	CuSn/CrNi	Au

SWS: Single Wire Seal

Dimensional characteristics



X-ON Electronics

Largest Supplier of Electrical and Electronic Components

Click to view similar products for [Automotive Connectors](#) category:

Click to view products by [APTIV](#) manufacturer:

Other Similar products are found below :

[003-018-000](#) [60403001](#) [60993906-B](#) [M902-2131](#) [M902-2161](#) [72.330.1035.1](#) [73.353.4028.0](#) [F119300-B](#) [F166900](#) [F258300-B](#) [F358300-B](#)
[F407400](#) [F444110](#) [F487000](#) [F509500B-B](#) [827153-1](#) [8N1515-32-24P](#) [9-1326729-8](#) [925474-1](#) [928905-1](#) [964562-4](#) [968782-1](#) [GT17SA-8DS-](#)
[HU](#) [98891-1012](#) [98947-1016](#) [12004475-L](#) [12010290](#) [12010309-B](#) [12015454](#) [12020219-B](#) [12020308](#) [12041318-B](#) [12052225-L](#) [12052466](#)
[12059125](#) [12064869](#) [12004327-B](#) [12010503-B](#) [12015308](#) [12015384](#) [12015909](#) [1-21030-1](#) [12041254](#) [12041318](#) [12047946-B](#) [12047957](#)
[12047957-L](#) [12059473](#) [12066261](#) [12110546](#)