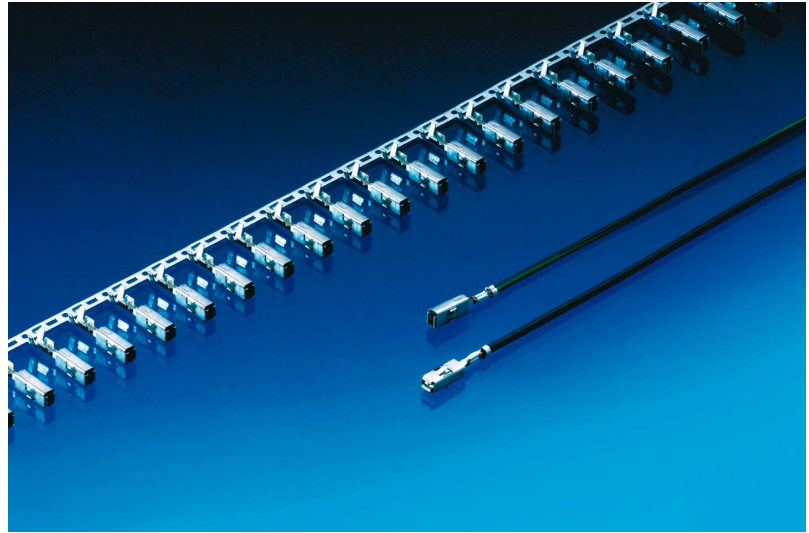


2.8 mm female terminal

Features

- DCK technology
- Long box in CrNi
- 5 mm pitch for unsealed application
- 6 mm pitch for sealed application with SWS
- Single wire seal versions available
- Crimp code on terminal
- Suitable for secondary lock



Performance characteristics*

- Contact resistance: < 3 mΩ
- Contact mating force: < 9 N
- Contact unmating force: < 5 N
- Current carrying capacity with 2.5 mm² wire:

at 23°C up to approx.:	30 A
at 85°C up to approx.:	20 A
at 100°C up to approx.:	15 A

* Mated with 2.8 x 0.8 mm DCS-2 male terminals (Sn)

Packing

- No. of terminals per reel: Consult us
- No. of reels per packing: Consult us

Tooling

- Manual crimping tool: Consult us
- Mini applicator: Consult us

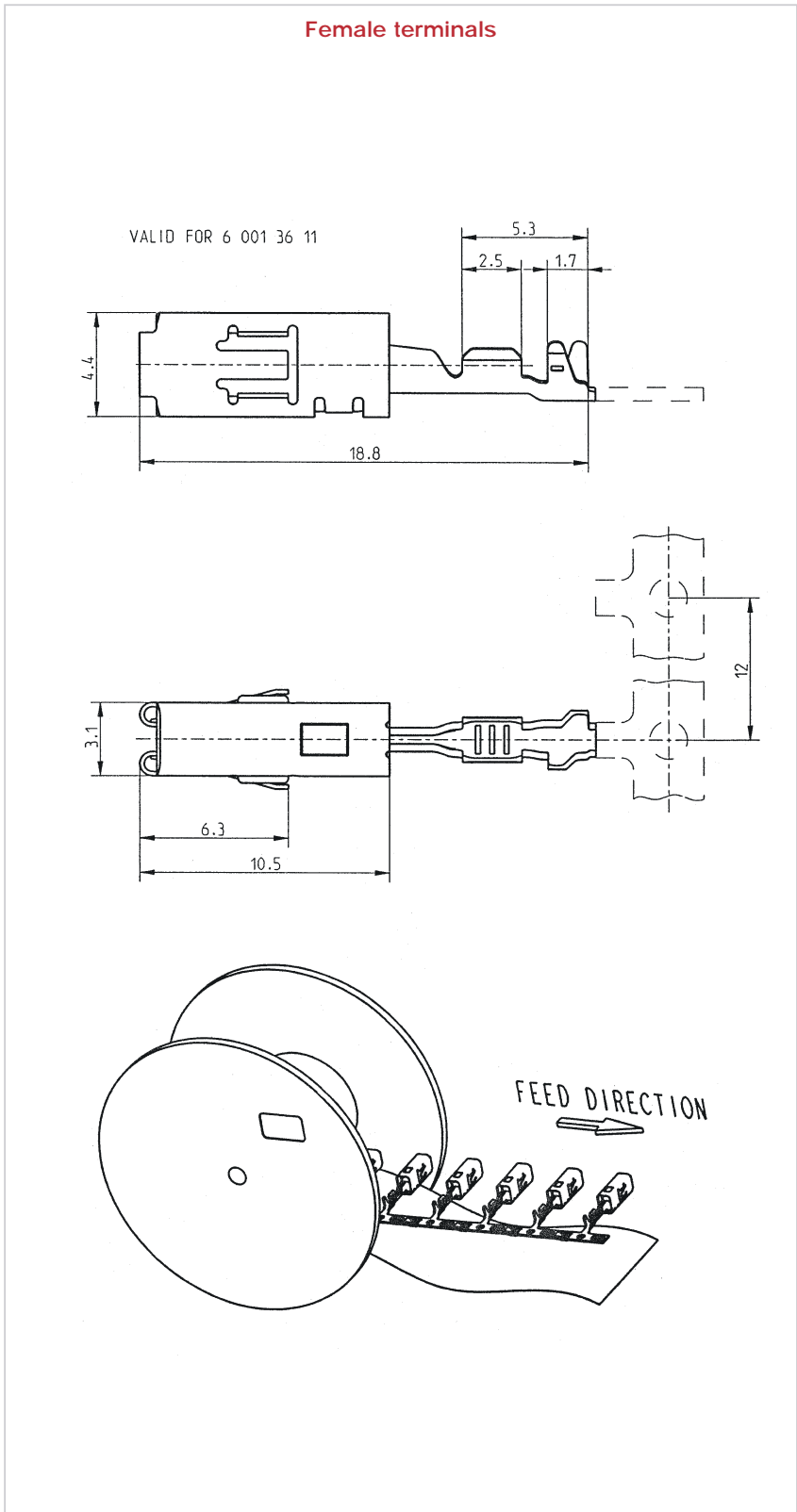
Part Numbers	Type	Wire size range (in mm ²)		Insulation Ø (in mm) Max.	Material	Plating
		Min.	Max.			
6 001 36 11	Female	0.22	0.35	1.40	CuNiSi/CrNi	Sn
6 001 36 31	Female	0.50	1.00	2.10	CuNiSi/CrNi	Sn
6 001 36 41	Female	1.00	2.50	3.00	CuNiSi/CrNi	Sn
6 001 37 11 (SWS)	Female	0.22	0.35	1.40	CuNiSi/CrNi	Sn
6 001 37 31 (SWS)	Female	0.50	1.00	2.10	CuNiSi/CrNi	Sn
6 001 37 41 (SWS)	Female	1.00	2.50	3.00	CuNiSi/CrNi	Sn

SWS: Single Wire Seal

2.8 mm female terminal

Dimensional characteristics

Notes :



X-ON Electronics

Largest Supplier of Electrical and Electronic Components

Click to view similar products for [Automotive Connectors](#) category:

Click to view products by [APTIV](#) manufacturer:

Other Similar products are found below :

[003-018-000](#) [60403001](#) [60993906-B](#) [629515004020001](#) [M902-2131](#) [M902-2161](#) [72.330.1035.1](#) [73.353.4028.0](#) [F119300-B](#) [F166900](#)
[F258300-B](#) [F358300-B](#) [F407400](#) [F444110](#) [F487000](#) [F509500B-B](#) [827153-1](#) [8N1515-32-24P](#) [9-1326729-8](#) [925474-1](#) [928905-1](#) [964562-4](#)
[968782-1](#) [GT17SA-8DS-HU](#) [98891-1012](#) [98947-1016](#) [12004475-L](#) [12010290](#) [12010309-B](#) [12015454](#) [12020219-B](#) [12020308](#) [12041318-B](#)
[12052225-L](#) [12052466](#) [12059125](#) [12064869](#) [12004327-B](#) [12010503-B](#) [12015308](#) [12015384](#) [12015909](#) [1-21030-1](#) [12041254](#) [12041318](#)
[12047946-B](#) [12047957](#) [12047957-L](#) [12059473](#) [12066261](#)