

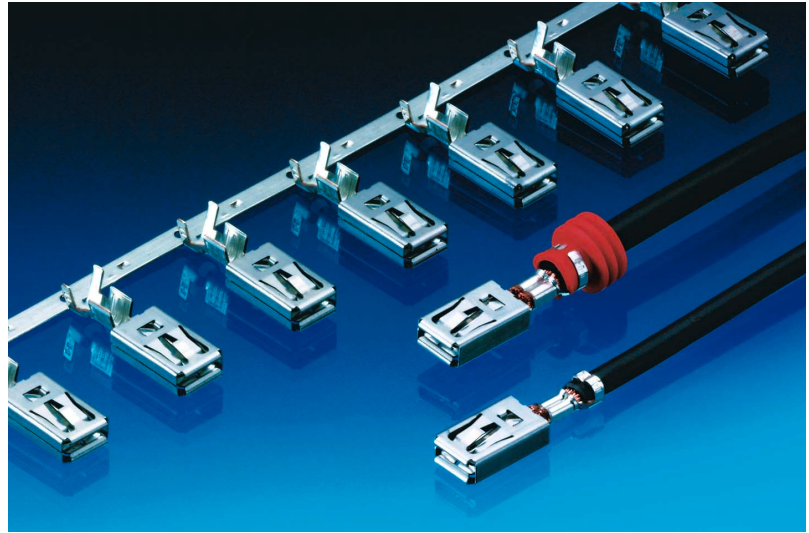
DCS-1



9.5 mm female terminal (box version)

Features

- DCS-1 technology
- 12.0 mm pitch for unsealed application
- 12.5 mm pitch for sealed application with single wire seal
- Version with locking lances
- Long Box/Long auxiliary steel spring in CrNi
- High current carrying capacity (up to 80 A at +23°C)
- Protected contact springs
- Compatible with single wire sealing
- Crimp code on terminal



Performance characteristics*

- Contact resistance: < 3 mΩ
- Contact mating force: < 22 N
- Contact unmating force: < 16 N
- Current carrying capacity with 10 mm² wire:

at 23°C up to approx.:	80 A
at 85°C up to approx.:	55 A
at 100°C up to approx.:	45 A

* Mated with 9.5 x 1.2 mm DCS-1 male terminal

Packing

- No. of terminals per reel: Consult us
- No. of reels per packing: Consult us

Tooling

- Manual crimping tool: Consult us
- Mini applicator: Consult us

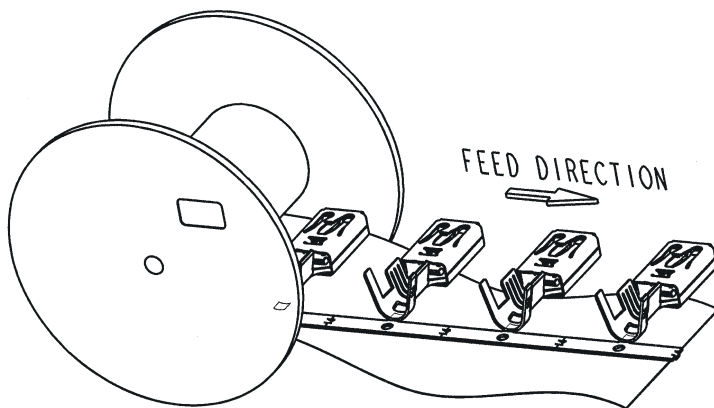
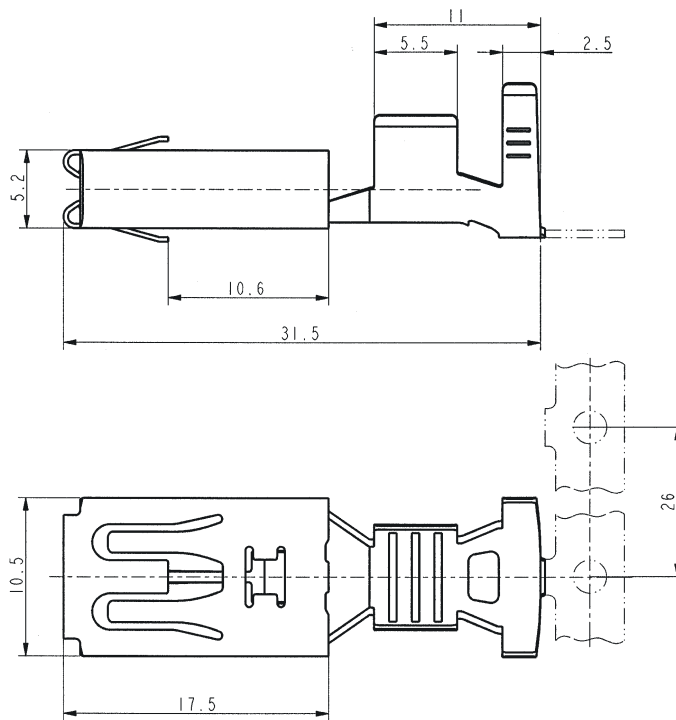
Part Numbers	Type	Wire size range (in mm ²)		Insulation Ø (in mm)	Material	Plating
		Min.	Max.	Max.		
6 007 04 51	Female	> 2.50	4.00	3.70 FLRY	CuCrSiTi/CrNi	Sn
6 007 04 61	Female	> 4.00	6.00	4.30 FLRY	CuCrSiTi/CrNi	Sn
6 007 04 71	Female	> 6.00	10.00	6.40 FLRY	CuCrSiTi/CrNi	Sn

DCS-1

9.5 mm female terminal (box version)

Dimensional characteristics

Notes :



X-ON Electronics

Largest Supplier of Electrical and Electronic Components

Click to view similar products for [Automotive Connectors](#) category:

Click to view products by [APTIV](#) manufacturer:

Other Similar products are found below :

[003-018-000](#) [60403001](#) [60993906-B](#) [629515004020001](#) [M902-2131](#) [M902-2161](#) [72.330.1035.1](#) [73.353.4028.0](#) [F119300-B](#) [F166900](#)
[F258300-B](#) [F358300-B](#) [F407400](#) [F444110](#) [F487000](#) [F509500B-B](#) [827153-1](#) [8N1515-32-24P](#) [9-1326729-8](#) [925474-1](#) [928905-1](#) [964562-4](#)
[968782-1](#) [GT17SA-8DS-HU](#) [98891-1012](#) [98947-1016](#) [12004475-L](#) [12010290](#) [12010309-B](#) [12015454](#) [12020219-B](#) [12020308](#) [12041318-B](#)
[12052225-L](#) [12052466](#) [12059125](#) [12064869](#) [12004327-B](#) [12010503-B](#) [12015308](#) [12015384](#) [12015909](#) [1-21030-1](#) [12041254](#) [12041318](#)
[12047946-B](#) [12047957](#) [12047957-L](#) [12059473](#) [12066261](#)