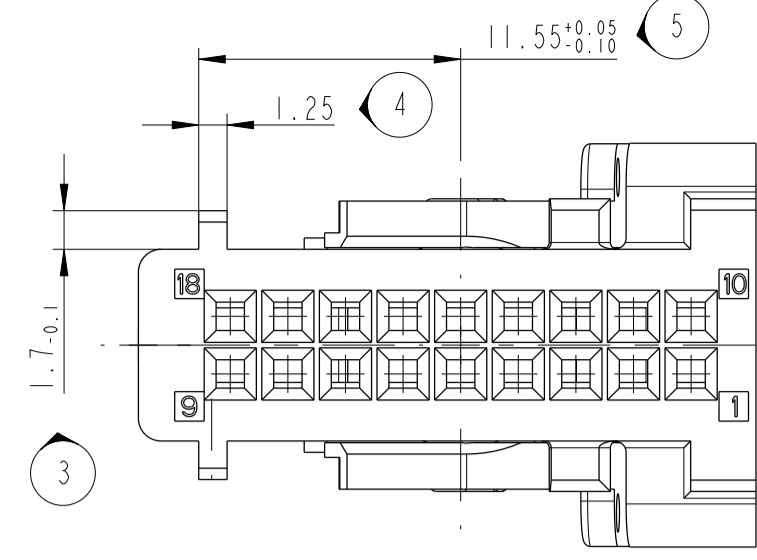
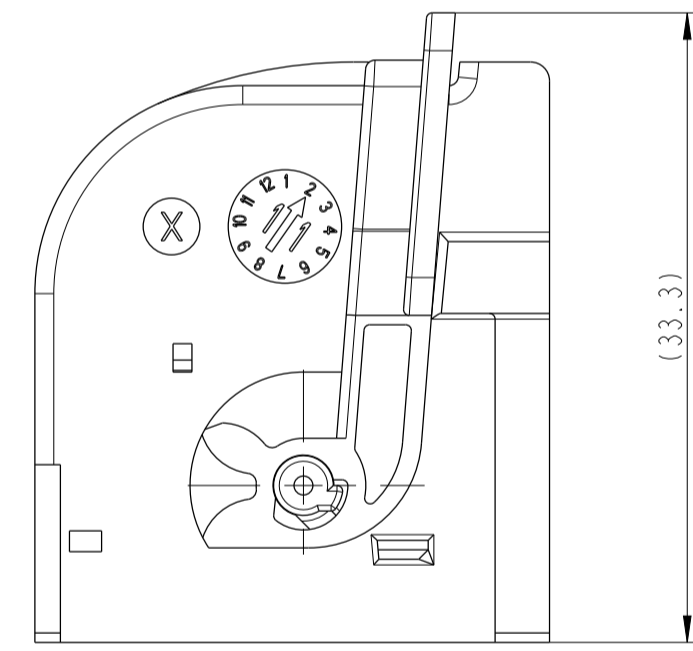
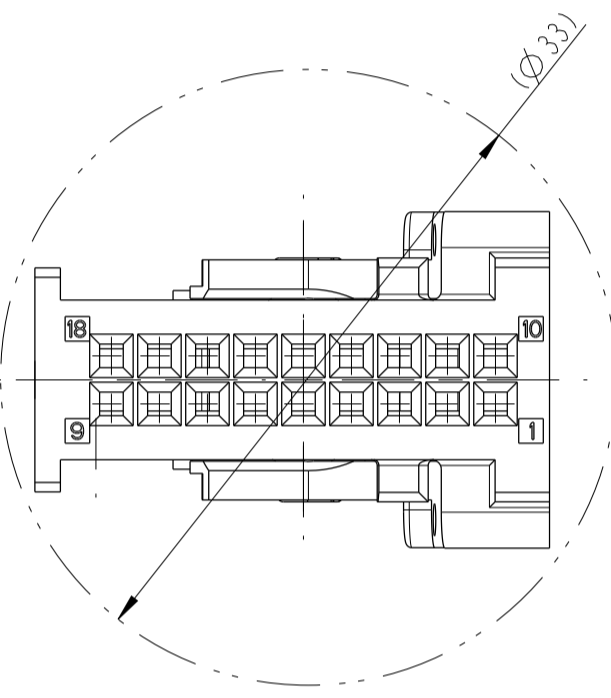


CODING 1  
Kodierung 1

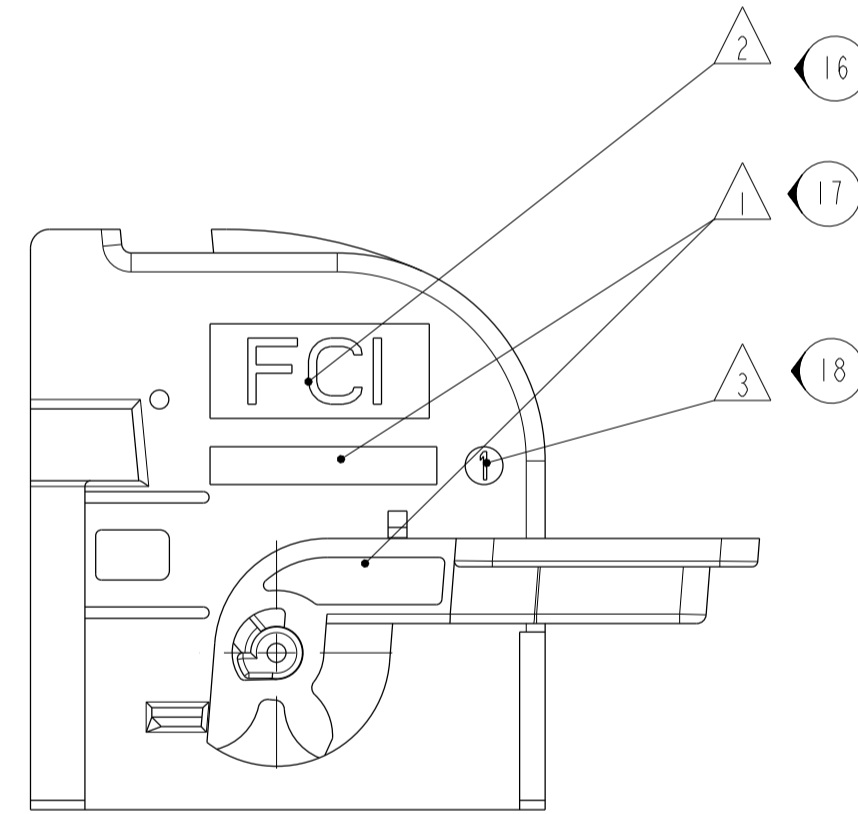


CODING 2  
Kodierung 2

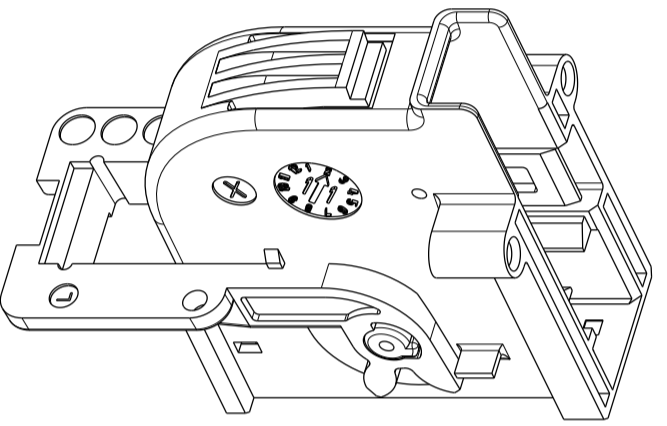
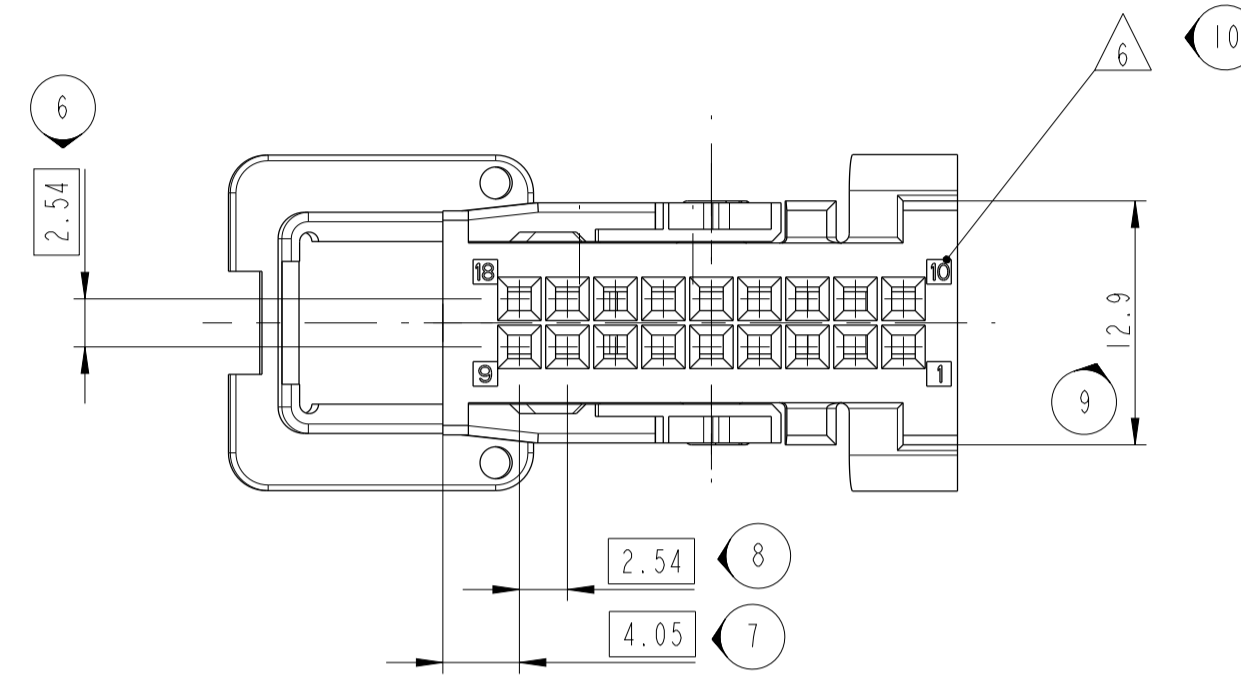
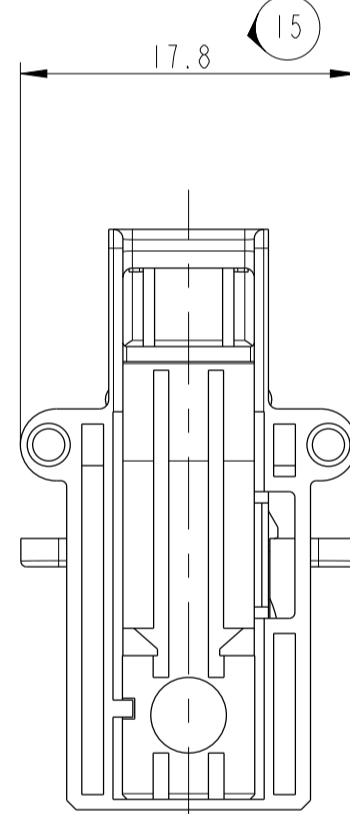


FOR INFORMATION ONLY / Nur zur Information

FEMALE CONNECTOR WITH CLOSED LEVER  
Buchsenkontaktgehäuse mit geschlossene Hebel



DELIVERY CONDITION: LEVER IN OPEN POSITION  
Lieferzustand: Hebel in offener Position



2:1

MATING FORCE CLASS Steckkraftklasse	C	MFC 3
SEALING CLASS Dichtheitsklasse		SC I
TEMPERATURE CLASS Temperaturklasse		TC I
VIBRATION CLASS Schwingungsklasse		VC I
CLASSIFICATION ACC. GMW3191 ISSUE DECEMBER 2007 Klassifizierung nach GMW3191 Ausg. Dezember 2007 B		

- NOTES / Bemerkungen:
- ▲ MATERIAL IDENTIFICATION CODE ACC. VDA 260  
Materialkennzeichnung nach VDA 260
  - ▲ FCI COMPANY LOGOTYPE / FCI Firmenlogo
  - ▲ CAVITY MARK / Nesmarkierung
  - ▲ PART REVISION INDEX / Teileindex
  - ▲ DATE CLOCK / Datumsuhr
  - ▲ CAVITY- IDENTIFICATION / Kammerkennzeichnung
  - ISIRI DIMENSIONS / Pruefmaesse

DESCRIPTION Benennung	FCI-PART-NO. FCI-Teilernr.	WIRE CROSS SECTION (mm <sup>2</sup> ) Leitungsquerschnitt (mm <sup>2</sup> )	MATERIAL / SURFACE Werkstoff / Oberflaeche
18x FEMALE TERMINAL 0.64mm	Tyco MOS C	TYCO NO. 963715-1	0.5 - 0.75
	FCI DuoTwin	TYCO NO. 928999-1	0.22 - 0.5
		6 008 01 31	> 0.5 - 0.75
		6 008 01 11	0.22 - 0.5
SEE SUPPLIERS DRAWING siehe Lieferantenzzeichnung			
CONTACT BODY/Grundkoerper: CuNiSi R>580 / mm <sup>2</sup> SURFACE/Oberflaeche: 1-3µm Sn			
CANTILEVER SPRING/Ueberfeder: X10 CrNi 18 8 / BLANK ACC. EN 10151			
SUITABLE TERMINALS Geeignete Kontakte			

FCI-PART-NO. FCI-Teilernr.	PART REV. Teileindex	OPEL-PART-NO. OPEL-Teilernr.	OPEL-DRWG-NO. OPEL-Zeichng-Nr.	CODING Kodierung	POS.	QUANTITY Menge	DESIGNATION Benennung	MATERIAL Werkstoff	OPEL MATERIALGROUP SPEC. OPEL Material Gruppenpez.	COLOR Farbe	COUNTERPART NO. Gegensteck Nr.
PPI0000556	M	ZF18-13 (WITH TERMINAL CARRIER) (mit Kontaktraeger)	13 292 662	2	1	2	LEVER 18-WAY Hebel 18-pol	PBT-GF15	GM QK006612	BLACK Schwarz	AMP C-114-18063-16 REV. C5 DATE 25.01.02
					1	1	FEMALE HOUSING 18-WAY Gehaeuse 18-pol	PBT-GF15	GM QK006612	WHITE Weiss	
PPI0000557	M	ZF18-12 (WITH TERMINAL CARRIER) (mit Kontaktraeger)	13 292 662	1	2	1	LEVER 18-WAY Hebel 18-pol	PBT-GF15	GM QK006612	BLACK Schwarz	
					1	1	FEMALE HOUSING 18-WAY Gehaeuse 18-pol	PBT-GF15	GM QK006612	BLACK Schwarz	

ECN-NO. / ECK-NUMMER: 250/08

POSITION: F3 B6-B11

CHANGE DESCRIPTION: SERIAL RELEASE: GMW3191 was issue August 2006 GM QK-N\* added; GM drawing N\* added

PROJECT SPEC. / PROJEKTSPEZ.: FE PS 05 012

APPLICATION SPEC. / ANWENDUNGSPEZ.: PU 084

THIS DRAWING AND ALL OTHER INFORMATION CONTAINED THEREIN IS PROPRIETARY AND THE PROPERTY OF FCI. THIS DRAWING MAY NOT BE COPIED, REPRODUCED OR DISCLOSED TO ANY THIRD PARTY WITHOUT THE WRITTEN PERMISSION OF FCI. © FCI April 1999

TOLERANCES: x, ±0.5 ±0.20 ±0.3

MATERIAL: SEE BOM

SURFACE FINISH: SEE BOM

APPROX WEIGHT: 3.98g

ISO PROJECTION: A1

DWG SIZE: A1

SCALE: 5:2

DRAWING NUMBER: PCC0544793

REV. INDEX: D

STATUS: SERIAL RELEASED

PROJECT: 18W FEMALE HOUSING

DESIGNED BY: M WELTHERR

CHECKED BY: PASCAL MENARD

DATE: 2013/01/25

FILE NAME: PCC0544793

EUR CON. 112 FEB 005

## X-ON Electronics

Largest Supplier of Electrical and Electronic Components

*Click to view similar products for [Automotive Connectors](#) category:*

*Click to view products by [APTIV](#) manufacturer:*

Other Similar products are found below :

[003-018-000](#) [60403001](#) [60993906-B](#) [629515004020001](#) [M902-2131](#) [M902-2161](#) [72.330.1035.1](#) [73.353.4028.0](#) [F119300-B](#) [F166900](#)  
[F258300-B](#) [F358300-B](#) [F407400](#) [F444110](#) [F487000](#) [F509500B-B](#) [827153-1](#) [8N1515-32-24P](#) [9-1326729-8](#) [925474-1](#) [928905-1](#) [964562-4](#)  
[968782-1](#) [GT17SA-8DS-HU](#) [98891-1012](#) [98947-1016](#) [12004475-L](#) [12010290](#) [12010309-B](#) [12015454](#) [12020219-B](#) [12020308](#) [12041318-B](#)  
[12052225-L](#) [12052466](#) [12059125](#) [12064869](#) [12004327-B](#) [12010503-B](#) [12015308](#) [12015384](#) [12015909](#) [1-21030-1](#) [12041254](#) [12041318](#)  
[12047946-B](#) [12047957](#) [12047957-L](#) [12059473](#) [12066261](#)