

# Component-to-wire connectors **FCI**

HPCS

## 2/3/4/5/6 way sealed female housings for 2.8 mm terminals

### Features

- 2 to 6 position housing available
- Waterproof application with single wire seal
- Lateral secondary lock for terminal position assurance (T.P.A.)
- Circumferential interface seal
- Plastic locking feature
- Mechanical polarization
- Several codings available



### Performance characteristics

- Temperature range: from -40°C to +120°C
- Contact retention force: > 80 N
- Contact insertion force: < 20 N
- Connector mating force: < 100 N

### Construction

- Housing material: PBT
- Circumferential interface seal: Silicone

### Tooling

- Terminal removal tool: Consult us
- Mini-applicator: Consult us

### Connector compatibility

- Usable terminals: HPCS 2.8 mm female terminals

Part Numbers	No. of position	Terminal size	Colour
6 040 40 01	2	2.8 mm	Black
6 040 40 11	2	2.8 mm	Black
6 040 40 21	2	2.8 mm	Black
6 040 41 01	3	2.8 mm	Black
6 040 42 01	4	2.8 mm	Black
6 040 43 21	5	2.8 mm	Black
6 040 43 11	5	2.8 mm	Black
6 040 43 01	5	2.8 mm	Black
6 040 44 01	6	2.8 mm	Black

# Component-to-wire connectors **FCI**

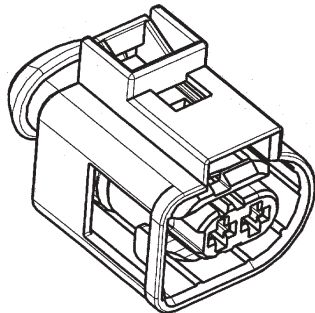
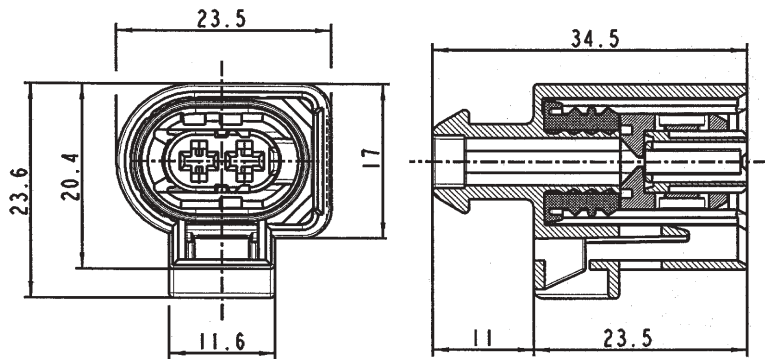
HPCS

## 2/3/4/5/6 way sealed female housings for 2.8 mm terminals

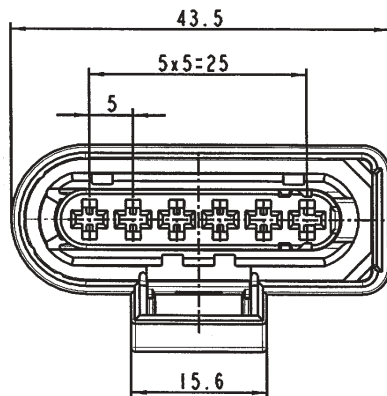
*Dimensional characteristics*

Notes:

2 way female housing



6 way female housing



## Product Detail Page

**Direct Links** ...

- Cross Reference
- RoHS/LF P/N search
- Document & Drawing search
- Application tooling

**Services** ...

- Contact us
- Distributor list
- Pricing request
- Order samples

**Literature** ...

- Brochures & catalogs
- Product documentation
- Technical library

Start > Search=60404311\* > **60404311**

**60404311**



**60404311**

**5 way component-to-wire Female housing**

**ACTIVE**

[Customer Drawing](#)

**Automotive division**

Email D

**FCI Bring**

Conta

Samp

€ Price

### Specifications

General Mechanical Physical Terminal 1 Type Environmental Other Features

#### General

Application	Component to Wire
Ways	5
Coding version	Black
Product Type	Housing
Coding	Yes
Family	Engine Compartment Connect
	Mechanical Polarization Circumferential Interface Seal

## Product Detail Page

Features	Waterproof Application with Silicone Gaskets Lateral Secondary Lock for Termination (T.P.A.) Plastic Locking Feature
Hybrid	No
Main Terminal family	HPCS
Main Terminal size	2.8 mm
Sealed	Yes
Terminal Size	2.8
<b>Mechanical</b>	
Connector mating force	< 100N
<b>Physical</b>	
Color	Black
Material	PBT
Temperature (Range)	-40°C to+120°C
<b>Terminal 1 Type</b>	
Terminal type 1	HPCS Female 2.8 mm Terminal
Ways for Terminal Type 1	5
Contact insertion force for Terminal Type 1	< 20N
Retention force (Contact) for Terminal Type 1	> 80N
<b>Environmental</b>	
IMDS	Yes
<b>Other Features</b>	
Type	Female
Disclaimer	Displayed data is for informational purposes only. For more information, please contact your local sales representative. The supply of some products may vary without notice to our customers.

## X-ON Electronics

Largest Supplier of Electrical and Electronic Components

*Click to view similar products for [Automotive Connectors](#) category:*

*Click to view products by [APTIV](#) manufacturer:*

Other Similar products are found below :

[003-018-000](#) [60403001](#) [60993906-B](#) [629515004020001](#) [M902-2131](#) [M902-2161](#) [72.330.1035.1](#) [73.353.4028.0](#) [F119300-B](#) [F166900](#)  
[F258300-B](#) [F358300-B](#) [F407400](#) [F444110](#) [F487000](#) [F509500B-B](#) [827153-1](#) [8N1515-32-24P](#) [9-1326729-8](#) [925474-1](#) [928905-1](#) [964562-4](#)  
[968782-1](#) [GT17SA-8DS-HU](#) [98891-1012](#) [98947-1016](#) [12004475-L](#) [12010290](#) [12010309-B](#) [12015454](#) [12020219-B](#) [12020308](#) [12041318-B](#)  
[12052225-L](#) [12052466](#) [12059125](#) [12064869](#) [12004327-B](#) [12010503-B](#) [12015308](#) [12015384](#) [12015909](#) [1-21030-1](#) [12041254](#) [12041318](#)  
[12047946-B](#) [12047957](#) [12047957-L](#) [12059473](#) [12066261](#)