



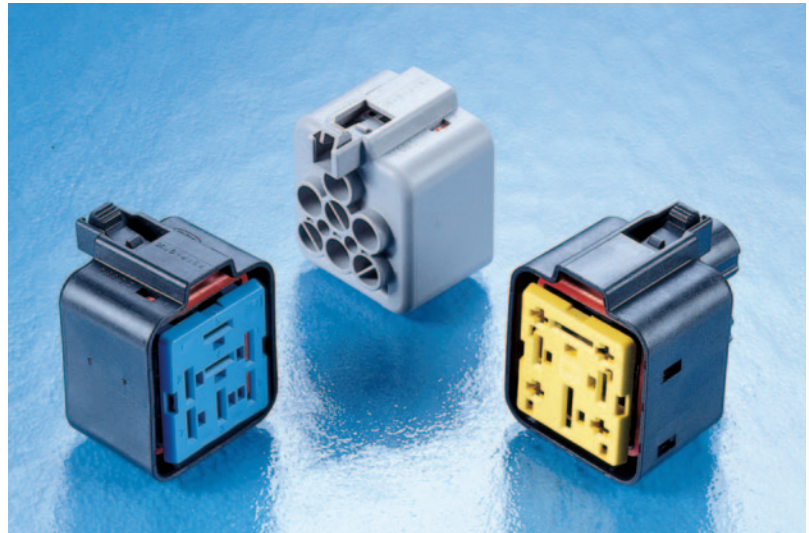
Sealed relay sockets

DCS-1

7 & 8 sealed relay sockets for 2.8 + 6.3 + 9.5 mm terminals

Features

- 4-5-7 and 8 position housings available
- Waterproof application with single wire seal
- Circumferential interface seal
- Additional terminal locking device pre-assembled on front part of the housing
- Plastic locking feature
- Mechanical polarization
- Several colours available



Performance characteristics

- Temperature range: from -40°C to +120°C
- Contact retention force: > 80 N
- Contact insertion force: < 20 N for DCS-1 standard version < 15 N for DCS-1 box version
- Connector mating force: < 160 N
- Sealing protection: IP 67
- Acceptable wire range: from 0.35 to 10 mm²

Construction

- Housing material: PBT
- Circumferential seal: Silicone

Tooling

- Front device removal tool: Consult us
- Terminal removal tool: Consult us

Connector compatibility

- Usable terminals :
 - DCS-1 2.8 mm female terminals (standard & power version)
 - DCS-1 2.8 mm female terminals (box version)
 - DCS-1 6.3 mm female terminals
 - DCS-1 9.5 mm female terminals

Part Numbers	No. of position	Terminal size	Type	Colour
6 043 01 07	7	6.3 mm	Cavity 4, 6 & 7 blocked	Green
6 043 01 01	4 (7)	6.3 mm	Cavity 4, 6 & 7 blocked	Black
6 043 01 41	5 (7)	6.3 mm	Cavity 6 & 7 blocked	Black
6 043 10 11	8	4 x [2.8 mm] + 2 x [6.3 mm] + 2 x [9.5 mm]	Neutral	Black
6 043 11 01	8	4 x [2.8 mm Box] + 2 x [6.3 mm] + 2 x [9.5 mm]		Black
6 043 11 00	8	4 x [2.8 mm Box] + 2 x [6.3 mm] + 2 x [9.5 mm]	Cavity 4, 6 & 7 blocked	Dark green
6 043 07 07	5 (7)	6.3 mm	Cavity 6 & 7 blocked	Green
6 043 05 01	5 (7)	6.3 mm	Cavity 6 & 7 blocked	Black
6 043 01 11	7	6.3 mm	-	Black
6 043 01 21	4 (7)	6.3 mm	Cavity 4, 6 & 7 blocked	Black
6 043 01 31	7	6.3 mm	-	Black



Sealed relay sockets

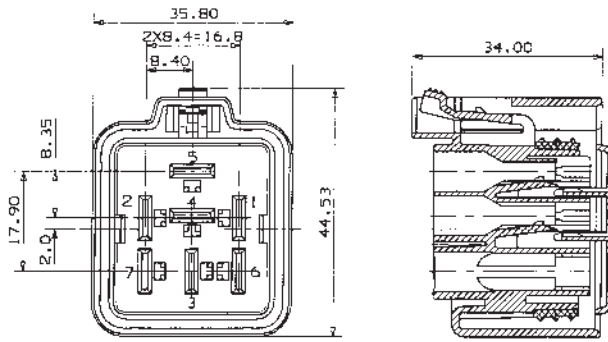
DCS-1

7 & 8 sealed relay sockets for 2.8 + 6.3 + 9.5 mm terminals

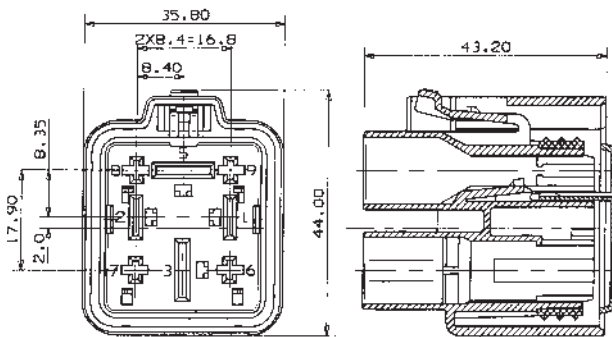
Dimensional characteristics

Notes:

4 (7) way relay sockets



8 way relay sockets



X-ON Electronics

Largest Supplier of Electrical and Electronic Components

Click to view similar products for [Automotive Connectors](#) category:

Click to view products by [APTIV](#) manufacturer:

Other Similar products are found below :

[003-018-000](#) [60403001](#) [60993906-B](#) [629515004020001](#) [M902-2131](#) [M902-2161](#) [72.330.1035.1](#) [73.353.4028.0](#) [F119300-B](#) [F166900](#)
[F258300-B](#) [F358300-B](#) [F407400](#) [F444110](#) [F487000](#) [F509500B-B](#) [827153-1](#) [8N1515-32-24P](#) [9-1326729-8](#) [925474-1](#) [928905-1](#) [964562-4](#)
[968782-1](#) [GT17SA-8DS-HU](#) [98891-1012](#) [98947-1016](#) [12004475-L](#) [12010290](#) [12010309-B](#) [12015454](#) [12020219-B](#) [12020308](#) [12041318-B](#)
[12052225-L](#) [12052466](#) [12059125](#) [12064869](#) [12004327-B](#) [12010503-B](#) [12015308](#) [12015384](#) [12015909](#) [1-21030-1](#) [12041254](#) [12041318](#)
[12047946-B](#) [12047957](#) [12047957-L](#) [12059473](#) [12066261](#)