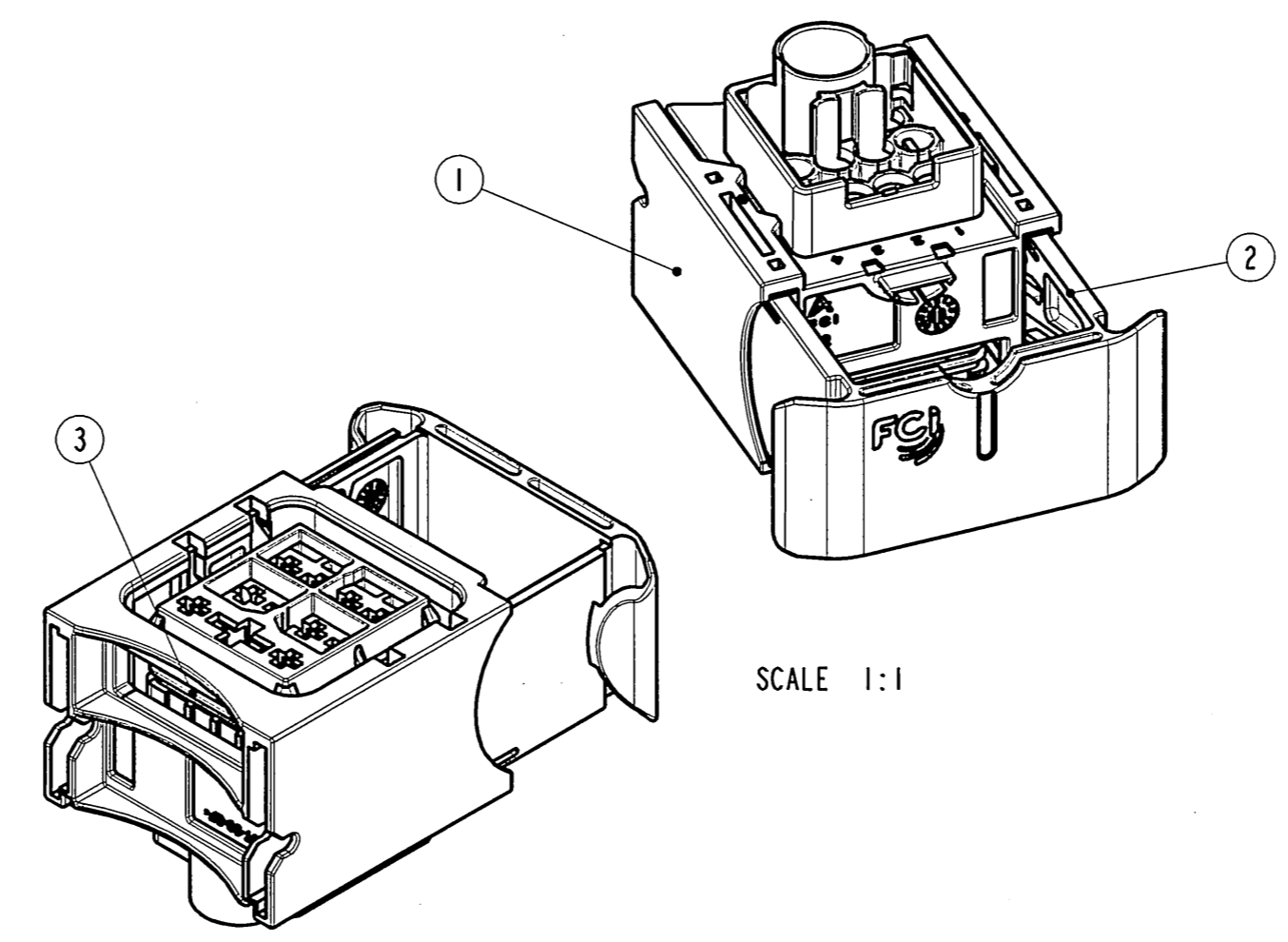
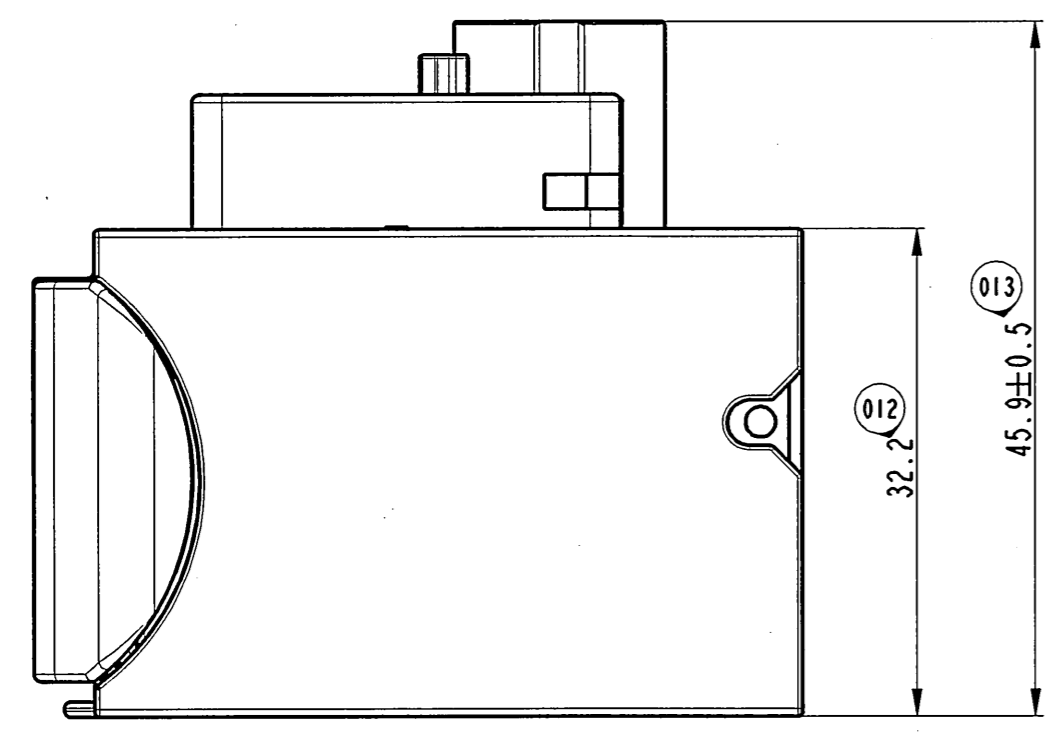
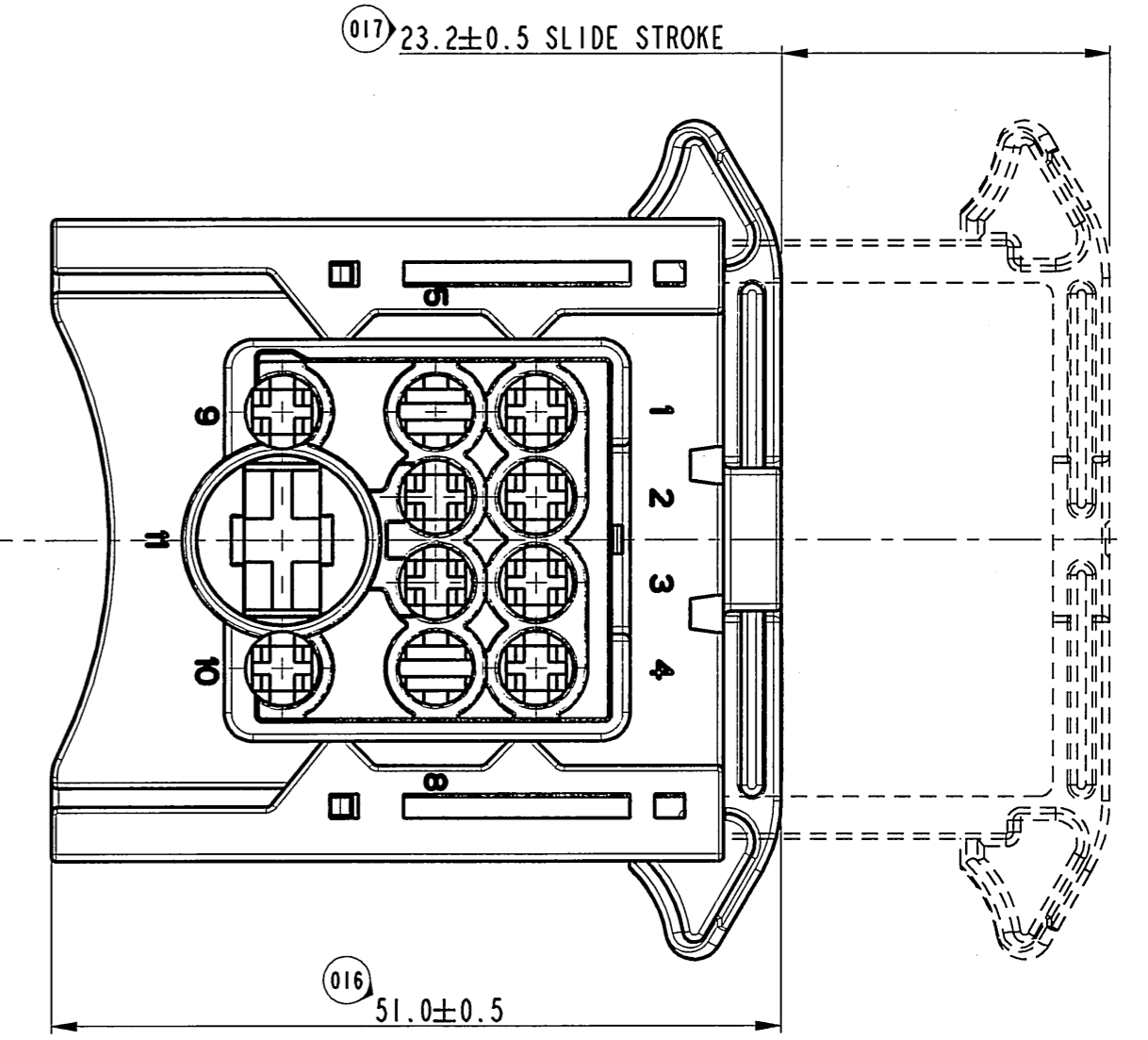
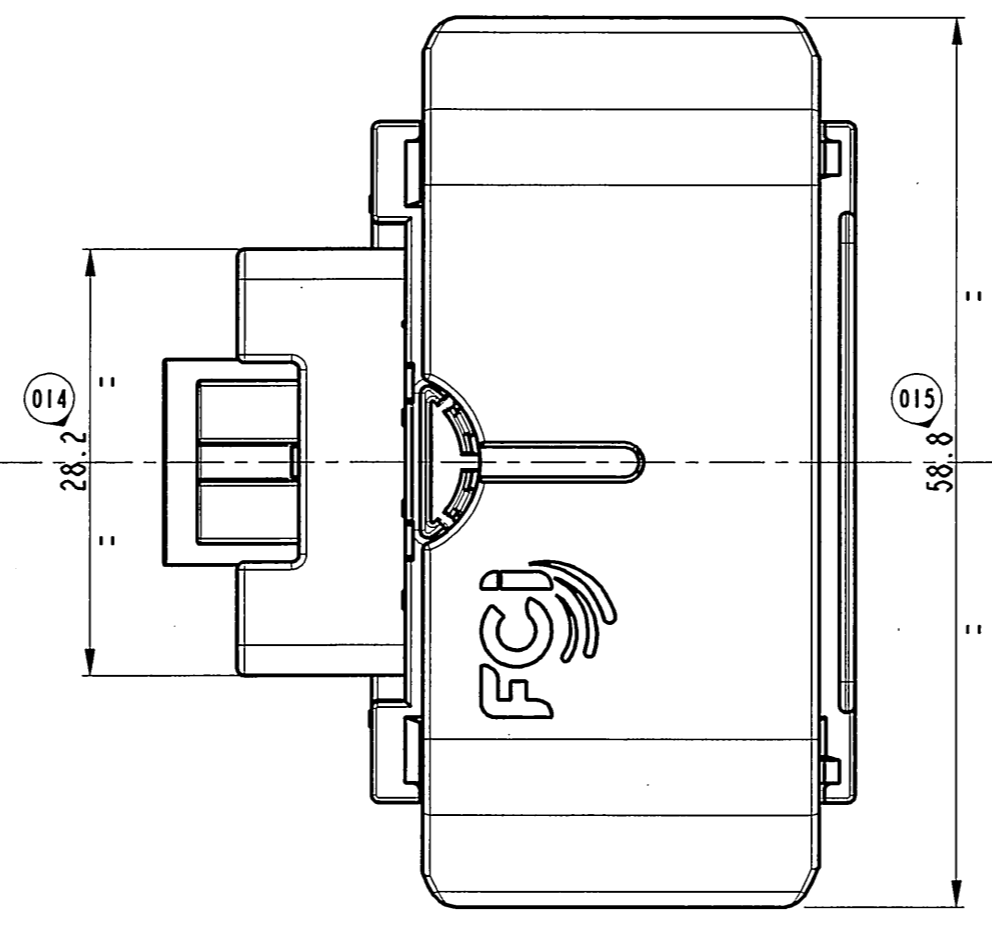
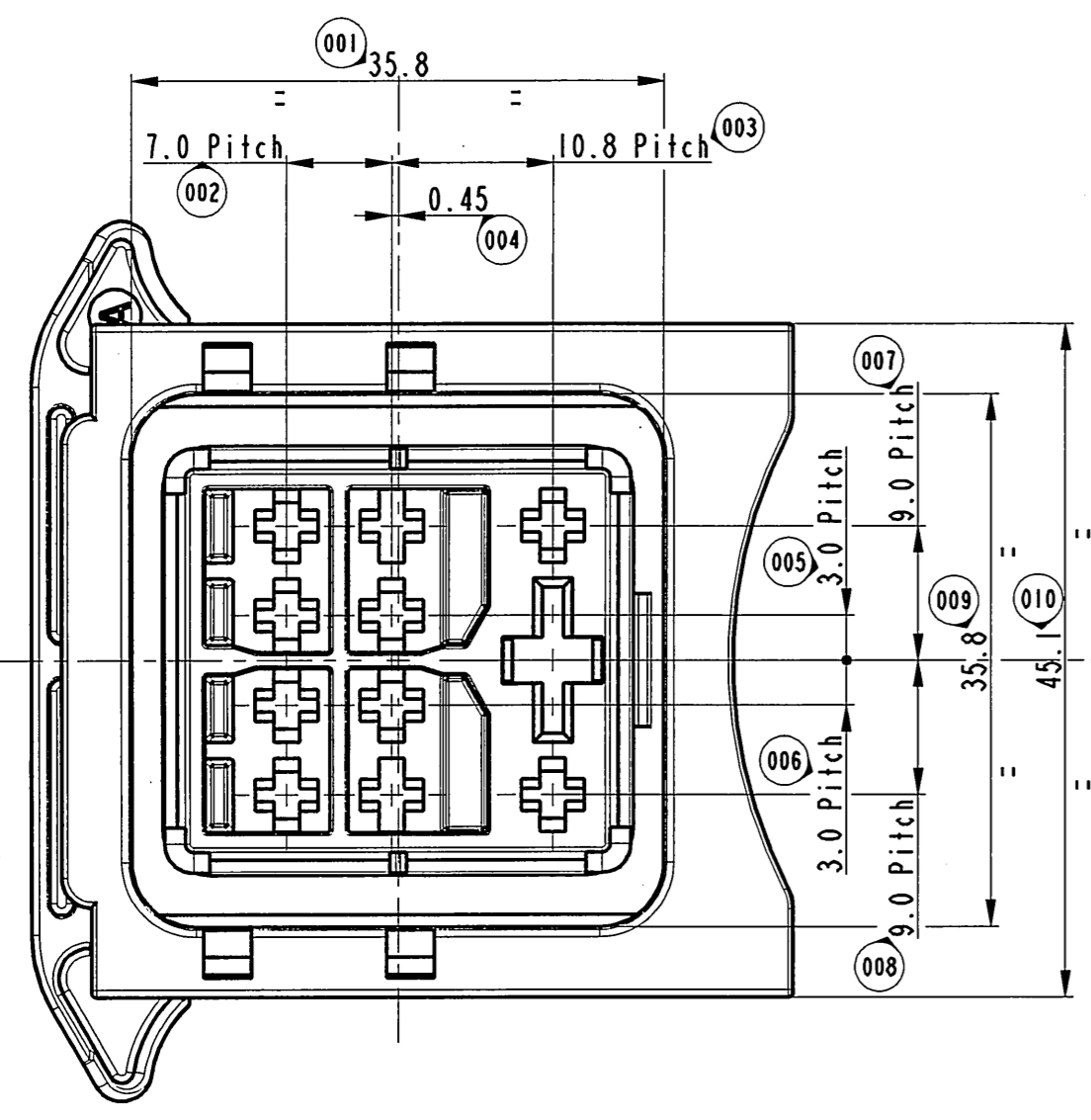


**STRICTLY CONFIDENTIAL**



NUMBER	1	2	3
DESCRIPTION	BODY	SLIDE	SEAL
MATERIAL	PBT 30GF	PA66 30GF	SILICONE RUBBER
COLOUR	BLACK	BLUE	RED
ASSEMBLY PART NUMBER	<b>17211105</b>		

9.5mm FEMALE TERM. P/N 60070471	8.0-10.0	60993304 YELLOW	5.4-6.6	60993306 WHITE
9.5mm FEMALE TERM. P/N 60070461	6.0	60993301 BLACK	3.8-5.2	
9.5mm FEMALE TERM. P/N 60070451	4.0	60993308 GREEN	3.4-3.7	
DCS2 2.8mm FEMALE TERM. P/N 60012941	1.5-2.5	60994034 YELLOW	2.7-2.9	60994007 GREEN
		60994023 RED	2.2-2.6	
DCS2 2.8mm FEMALE TERM. P/N 60012931	0.5-1.0	60994015 BLUE	1.2-2.0	
DCS2 2.8mm FEMALE TERM. P/N 60012911	0.35			
USABLE TERMINAL FOR THIS CONNECTOR	WIRE SIZE	P/N SWS COLOUR	∅ INSULATION	P/N CAVITY PLUG COLOUR

63/06	25/09/06	06R	-	Released for Production doesn't require Quality Doc Updating	
14/06	22/02/06	06	-	UPDATED BODY	FP TC
81/05	01/12/05	05	-	UPDATED TABLE AND ADD. WIRE SEC. 0.35mm <sup>2</sup> and 4.0mm <sup>2</sup>	FP TC
56/05	26/07/05	04	-	UPDATED BODY, SUPPRESSED REAR TPA AND UPDATED TABLES	FP TC
52/05	14/07/05	03	-	UPDATED DRAWING	FP TC
25/05	20/04/05	02	-	UPDATED REAR TPA, BODY AND APPL. SPEC.	FP TC
-	28/10/04	01	-	UPDATED REAR TPA AND BODY	RP TC
ECN-NO. / NUMERO -ECN	DATE / DATA	REVISION / REVISIONE	POSITION / POSIZIONE	CHANGE DESCRIPTION / DESCRIZIONE MODIFICA	DRAWN BY / CHK. BY / APPR. BY / DISEGNATORE / CONTROLLATO / APPROVATO
PRODUCT SPEC. / SPEC. DI PRODOTTO	PACKAGING SPEC. / SPEC. DI IMBALLAGGIO	APPLICATION SPEC. / SPEC. DI APPLICAZIONE	THIS DRAWING AND ALL OTHER INFORMATION CONTAINED THEREIN IS PROPRIETARY AND THE PROPERTY OF FCI. This drawing may not be copied, reproduced or disclosed to any third party without the express written permission of FCI. QUESTO DISEGNO ED OGNI ALTRA INFORMAZIONE IN ESSO CONTENUTA SONO ESCLUSIVI E DI PROPRIETA' DELLA FCI. Questo disegno non può essere copiato, riprodotto o divulgato a terzi senza l'espresso consenso scritto della FCI. © FCI April 1999		
TOLERANCES / TOLLERANZE	±0.3mm / ±2.0°	MATERIAL / MATERIALE	SEE TABLE	SURFACE FINISH / FINITURA SUPERFICIALE	
COUNTERPART Nr. / CONTROPARTE Nr.		COLOUR / COLORE	SEE TABLE		
DO NOT SCALE DRAWING / DISEGNO FUORI SCALA		TOOL NO. / NUMERO CAT.		LOC. CODE / NAZIONALITA'	IT
DRAWN BY / DISEGNATORE	DATE / DATA	NAME / NOME	TITLE / DESCRIZIONE		
CHECKED BY / CONTROLLATO	30/07/04	R.P.	II WAYS GLOW PLUG UNIT		
APPROVED BY / APPROVATO	30/07/04	T.C.	DRAWING NUMBER / NUMERO DISEGNO		
			FSD 309771		
			FILE NAME / NOME FILE		
			f3d309771-1_1-06R		
			SCALE / SCALA		
			2:1		

## X-ON Electronics

Largest Supplier of Electrical and Electronic Components

*Click to view similar products for [Automotive Connectors](#) category:*

*Click to view products by [APTIV](#) manufacturer:*

Other Similar products are found below :

[003-018-000](#) [60403001](#) [60993906-B](#) [629515004020001](#) [M902-2131](#) [M902-2161](#) [72.330.1035.1](#) [73.353.4028.0](#) [F119300-B](#) [F166900](#)  
[F258300-B](#) [F358300-B](#) [F407400](#) [F444110](#) [F487000](#) [F509500B-B](#) [827153-1](#) [8N1515-32-24P](#) [9-1326729-8](#) [925474-1](#) [928905-1](#) [964562-4](#)  
[968782-1](#) [GT17SA-8DS-HU](#) [98891-1012](#) [98947-1016](#) [12004475-L](#) [12010290](#) [12010309-B](#) [12015454](#) [12020219-B](#) [12020308](#) [12041318-B](#)  
[12052225-L](#) [12052466](#) [12059125](#) [12064869](#) [12004327-B](#) [12010503-B](#) [12015308](#) [12015384](#) [12015909](#) [1-21030-1](#) [12041254](#) [12041318](#)  
[12047946-B](#) [12047957](#) [12047957-L](#) [12059473](#) [12066261](#)