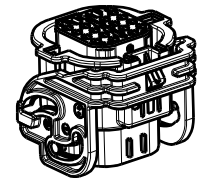
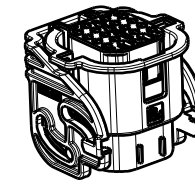
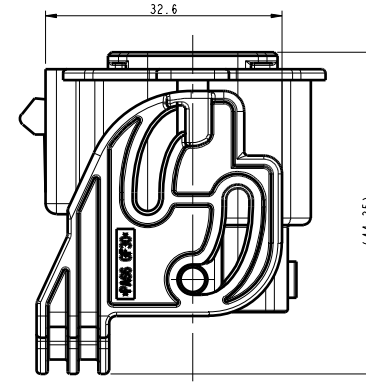
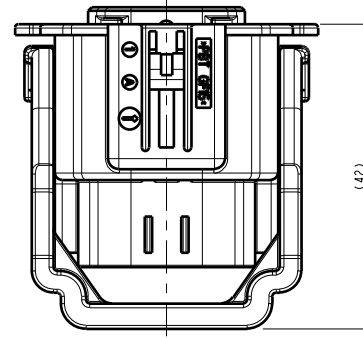
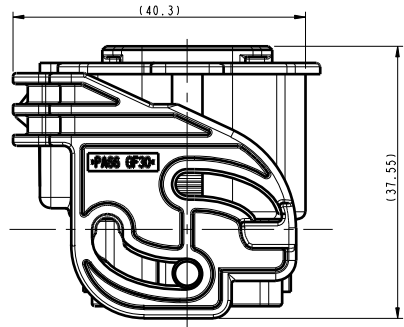
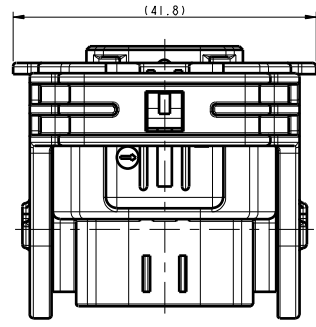
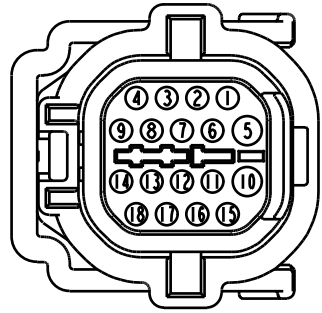


("LEVER CLOSED & TPA OPEN")
DELIVERY CONDITION
FROM FCI TO HARNESS MAKER

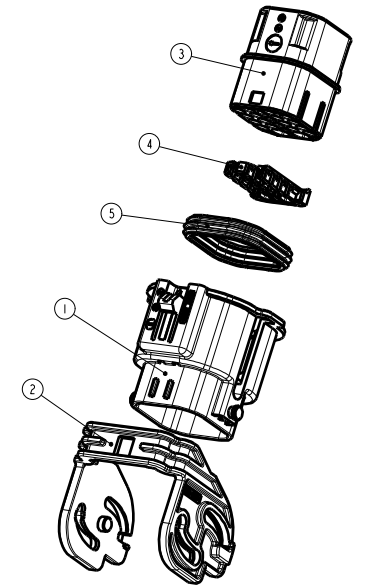
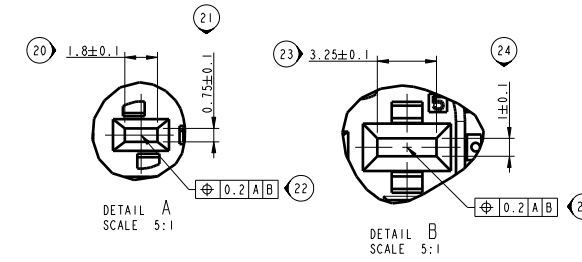
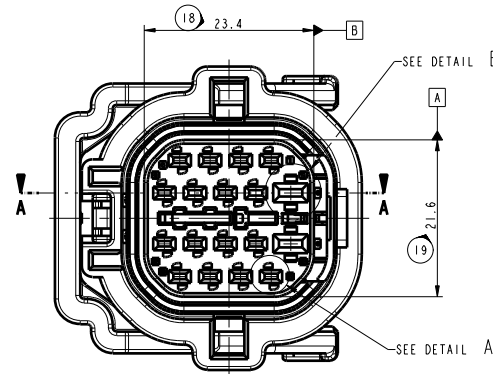
("LEVER OPEN & TPA CLOSED")
DELIVERY CONDITION
FROM HARNESS MAKER TO ASSEMBLY LINE



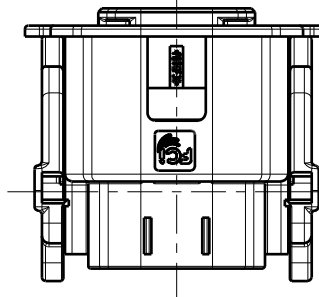
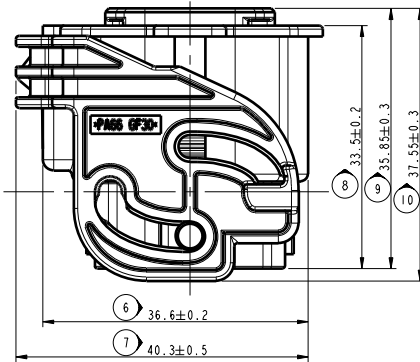
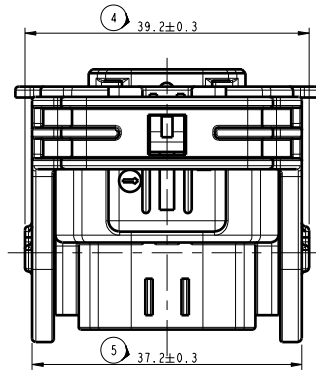
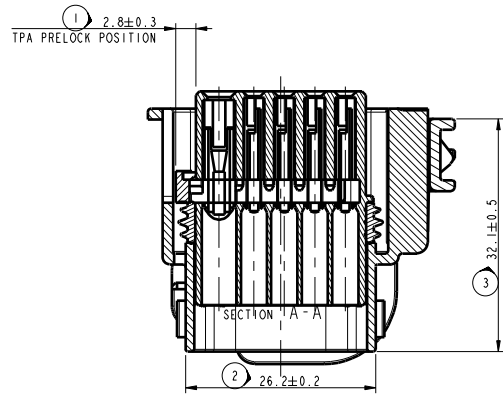
SCALE 1:1
ISOMETRIC VIEW



SYMBOL



SCALE 1:1
EXPLODED VIEW

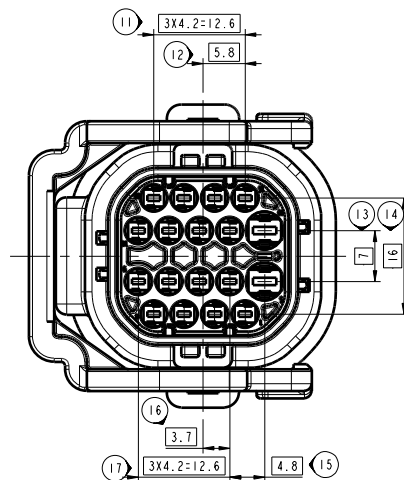


DIN ISO 2768		Tolerance Class medium (m)			
Linear dimensions	Permissible deviations for basic size range (mm)	0.5-1	1-3	3-6	6-18
Broken edges (radius, chamfers)	Permissible deviations for basic size range (mm)	0.5 up to 3	over 3 up to 6	over 6	over 18
Angular dimensions	Permissible deviations for ranges of lengths, in mm, of the shorter side of the angle concerned	up to 10	over 10 up to 50	over 50 up to 100	over 100 up to 400

* For nominal sizes below 0.5mm, the deviations shall be indicated adjacent to the relevant nominal size(s).

ASSOCIATED PARTS

DESCRIPTION	FCI PART NUMBER			CUSTOMER PART NUMBER			
	FEMALE TERMINALS	PART NUMBER	WIRE SIZE (mm ²)	TYPE	PART NUMBER	WIRE SIZE (mm ²)	TYPE
C	DCK 1.5	Sn PLATED	6 000 20 11	0.20-0.35	0.6x1.5	0.20-0.35	0.6x1.5
	DCK 1.5	Au PLATED	6 000 20 14				
	DCK 1.5	Sn PLATED	6 000 20 31	0.50-1.00	0.6x1.5	0.50-1.00	0.6x1.5
	DCK 1.5	Au PLATED	6 000 20 34				
B	DCK 2.8	Sn PLATED	6 001 37 41	0.50-1.00	0.8x2.8	0.50-1.00	0.8x2.8
	DCK 2.8	Sn PLATED	6 001 37 31				
A	DCK 1.5mm SWS (red)	F310400	0.3 - 0.35	Insul' Ø1.2-1.5mm	0.3 - 0.35	Insul' Ø1.2-1.5mm	
	DCK 1.5mm SWS (grey)	F410400	0.5 - 0.85	Insul' Ø1.6-1.9mm	0.5 - 0.85	Insul' Ø1.6-1.9mm	
	DCK 2.8mm SWS (blue)	F510400	0.5 - 0.85	Insul' Ø1.6-1.9mm	0.5 - 0.85	Insul' Ø1.6-1.9mm	
	DCK 2.8mm SWS (red)	F610400	1.0 - 1.5	Insul' Ø2.0-2.7mm	1.0 - 1.5	Insul' Ø2.0-2.7mm	
CAVITY PLUG for DCK1.5 TERM'L	6 099 39 06	CAVITY PLUG for DCK1.5mm TERM'L		CAVITY PLUG for DCK1.5mm TERM'L			
CAVITY PLUG for DCK2.8 TERM'L	6 099 40 07	CAVITY PLUG for DCK2.8mm TERM'L		CAVITY PLUG for DCK2.8mm TERM'L			



NOTES

- NOT SPECIFIED TOLERANCE : ISO 2768(M)
- MUST BE FREE OF CRACK, FLOW MARK, FLASH, BURR ETC THAT AFFECT FUNCTION OF PRODUCT
- REGARDING CUSTOMER MARK AND FCI MARK, DISCUSS LATER
- THIS PRODUCT MUST MEET HMC SPEC ES91500-00 Rev g
- UNLESS OTHERWISE SPECIFIED TO VENDOR SPECIFICATION.
- APPLICABLE MALE CONNECTOR : 902898-00

REP.	QTY.	DESCRIPTION	MATERIAL	COLOR	FCI P/N	REMARK
5	1	SEAL	Silicone rubber	RED	102577-00	
4	1	TPA	PBT GF15	Natural	502916-00	0.727
3	1	INNER HOUSING	PBT GF30	BLACK	502915-00	9.105
2	1	LEVER	PA66 GF30	BLACK	502918-00	5.043
1	1	OUTER HOUSING	PBT GF15	Black	502917-00	7.98

PD09-146

ISO 2768(M)

903079-00

19WAY SEALED FEMALE CONNECTOR

6 STEP ATM FPC HARNESS SYSTEM

FCI : FN 05-001
CUSTOMER : ES91500-00 Rev g

PCC0540161

903079-00

SCALE 1:2

X-ON Electronics

Largest Supplier of Electrical and Electronic Components

Click to view similar products for [Automotive Connectors](#) category:

Click to view products by [APTIV](#) manufacturer:

Other Similar products are found below :

[003-018-000](#) [60403001](#) [60993906-B](#) [629515004020001](#) [M902-2131](#) [M902-2161](#) [72.330.1035.1](#) [73.353.4028.0](#) [F119300-B](#) [F166900](#)
[F258300-B](#) [F358300-B](#) [F407400](#) [F444110](#) [F487000](#) [F509500B-B](#) [827153-1](#) [8N1515-32-24P](#) [9-1326729-8](#) [925474-1](#) [928905-1](#) [964562-4](#)
[968782-1](#) [GT17SA-8DS-HU](#) [98891-1012](#) [98947-1016](#) [12004475-L](#) [12010290](#) [12010309-B](#) [12015454](#) [12020219-B](#) [12020308](#) [12041318-B](#)
[12052225-L](#) [12052466](#) [12059125](#) [12064869](#) [12004327-B](#) [12010503-B](#) [12015308](#) [12015384](#) [12015909](#) [1-21030-1](#) [12041254](#) [12041318](#)
[12047946-B](#) [12047957](#) [12047957-L](#) [12059473](#) [12066261](#)