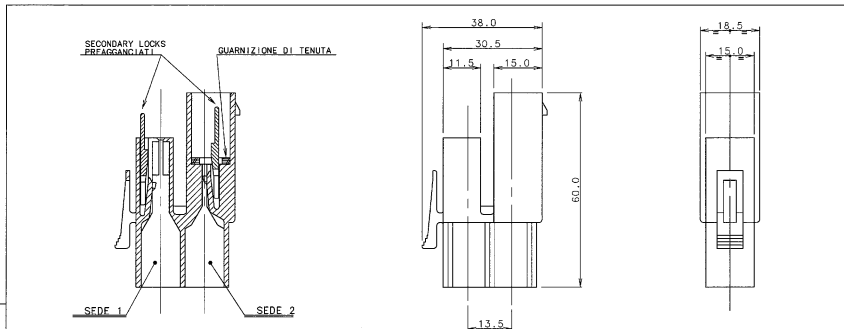


DELPHI PACKARD ELECTRIC SYSTEMS

SHEET
1 of 1
FSC308310

DWG STATUS				REVISION HISTORY			AUTH	DR	APV01	APV02
DATE	STG	REV	N/P	CHG	ZONE	INITIAL DRAWING RELEASE				
30AP08	N	01	AA	-	-					



SEDE 1 : ADATTA PER CAPOCODA FEMMINA D.C.S. SERIE 9.5

RIF. FRAMATOME	SEZ. AGGRAFFABILE	DIAMETRO ESTERNO ISOLANTE
6 007 02 51	2.5 x 4.0 mm	3.0 x 3.7 mm
6 007 02 61	4.0 x 6.0 mm	3.7 x 4.3 mm
6 007 02 71	6.0 x 10.0 mm	4.3 x 6.4 mm

SEDE 2 : ADATTA PER CAPOCODA MASCHIO D.C.S. SERIE 9.5

RIF. FRAMATOME	SEZ. AGGRAFFABILE	DIAMETRO ESTERNO ISOLANTE
6 017 02 51	2.5 x 4.0 mm	3.0 x 3.7 mm
6 017 02 61	4.0 x 6.0 mm	3.7 x 4.3 mm
6 017 02 71	6.0 x 10.0 mm	4.3 x 6.4 mm

N° CATALOGO	COLORE
DCSHHPE02BKSV	NERO
DCSHHPE02RDSV	ROSSO
DCSHHPE02BLSV	BLU

GRADO DI PROTEZIONE : IP67

Description: **CONNETTORE DI POTENZA ERMAFRODITA A 2 VIE PER CONTATTI D.C.S. SERIE 9.5** Det. No.: **VED. TABELLA**

Date: **20/01/08**

Drawn by: **FC1**

Checked by: **FC1**

Approved by: **FC1**

Released by: **FC1**

Customer drawing: **0**

FRANCONI CONNECTORS ITALIA S.p.A.

NOTE: PART(S) MUST COMPLY WITH CURRENT END-CUSTOMER REQUIREMENTS

DELPHI		DELPHI PACKARD ELECTRIC SYSTEMS - POLAND 30 - 399 KRKOW	
THIS DRAWING IS THE PROPERTY OF DELPHI CORPORATION. NO RIGHTS ARE GRANTED TO USE THIS DRAWING FOR ANY PURPOSE OTHER THAN THE FURNISHING OF SERVICES AND SUPPLIES TO DELPHI CORPORATION.			
DR	A. TETLAK	REV	
AP01	P. KUTRYBALA	30AP08	
AP02	P. MUCHA	30AP08	
AP03			
AP04			
AP05			

SUBSTANCES OF CONCERN AND RECYCLED CONTENT PER DELPHI-A 1094901

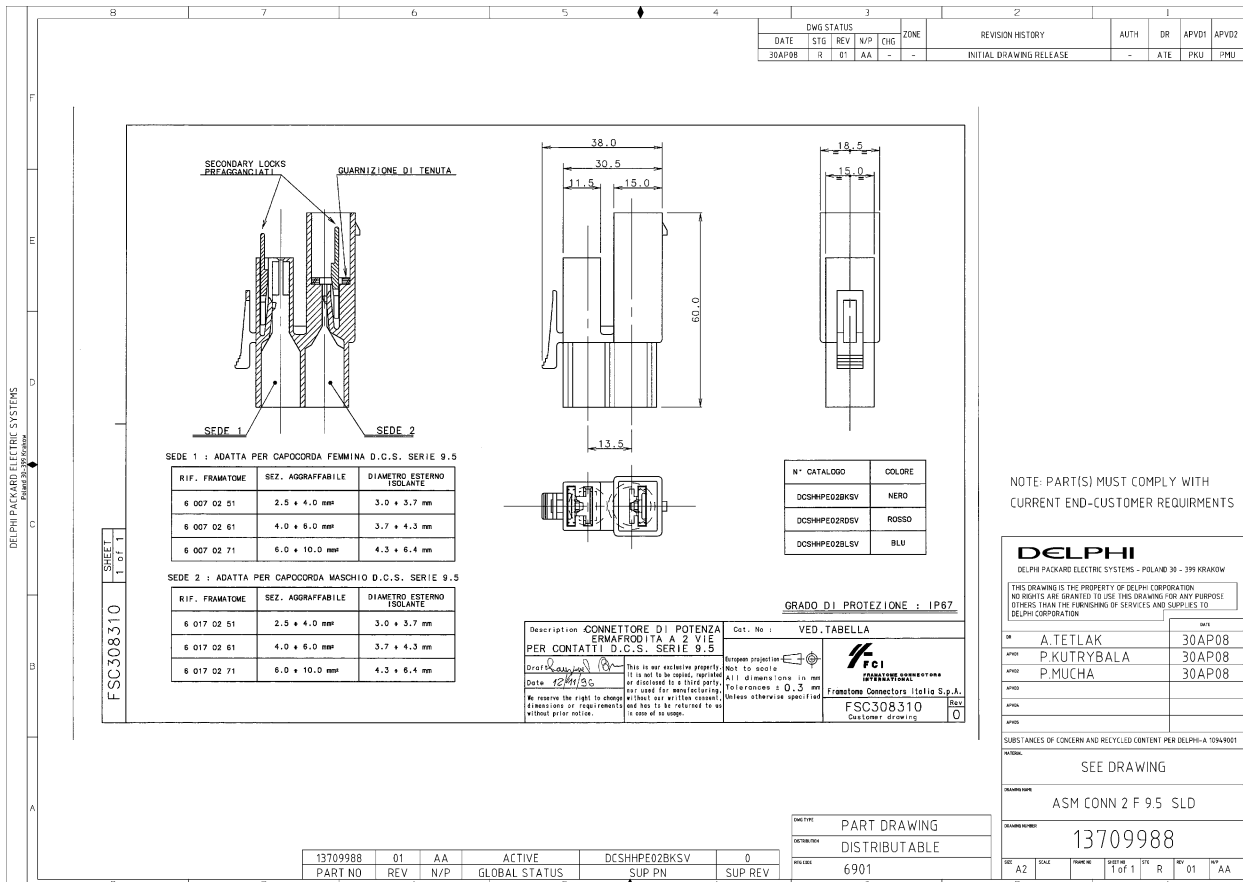
SEE DRAWING

DESCRIPTION: **ASM CONN 2 F 9.5 SLD**

QUANTITY: **13709988**

13709988	01	AA	ACTIVE	DCSHHPE02BKSV	0
PART NO	REV	N/P	GLOBAL STATUS	SUP PN	SUP REV

ONE TYPE	PART DRAWING
DISTRIBUTION	DISTRIBUTABLE
NO. LIBR.	6901



X-ON Electronics

Largest Supplier of Electrical and Electronic Components

Click to view similar products for [Automotive Connectors](#) category:

Click to view products by [APTIV](#) manufacturer:

Other Similar products are found below :

[003-018-000](#) [60403001](#) [60993906-B](#) [629515004020001](#) [M902-2131](#) [M902-2161](#) [72.330.1035.1](#) [73.353.4028.0](#) [F119300-B](#) [F166900](#)
[F258300-B](#) [F358300-B](#) [F407400](#) [F444110](#) [F487000](#) [F509500B-B](#) [827153-1](#) [8N1515-32-24P](#) [9-1326729-8](#) [925474-1](#) [928905-1](#) [964562-4](#)
[968782-1](#) [GT17SA-8DS-HU](#) [98891-1012](#) [98947-1016](#) [12004475-L](#) [12010290](#) [12010309-B](#) [12015454](#) [12020219-B](#) [12020308](#) [12041318-B](#)
[12052225-L](#) [12052466](#) [12059125](#) [12064869](#) [12004327-B](#) [12010503-B](#) [12015308](#) [12015384](#) [12015909](#) [1-21030-1](#) [12041254](#) [12041318](#)
[12047946-B](#) [12047957](#) [12047957-L](#) [12059473](#) [12066261](#)