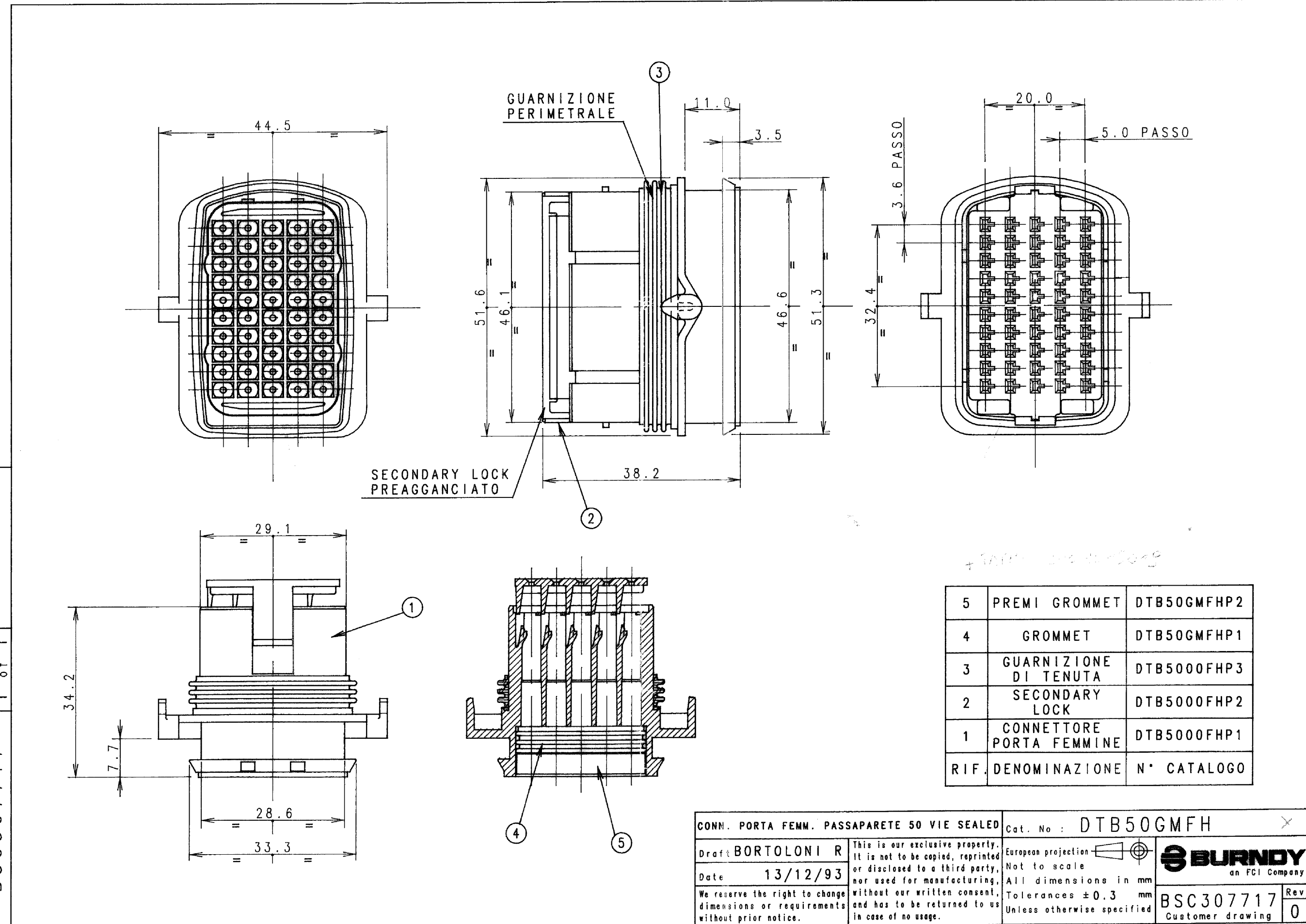


DWG STATUS					ZONE	REVISION HISTORY	AUTH	DR	APVD1	APVD2
DATE	STG	REV	N/P	CHG						
03DE04	R	01	AA	-	-	INITIAL DRAWING RELEASE	-	KCY	DPL	JPO



5	PREMI GROMMET	DTB50GMFHP2
4	GROMMET	DTB50GMFHP1
3	GUARNIZIONE DI TENUTA	DTB5000FHP3
2	SECONDARY LOCK	DTB5000FHP2
1	CONNETTORE PORTA FEMMINE	DTB5000FHP1
RIF. DENOMINAZIONE		N° CATALOGO

CONN. PORTA FEMM. PASSAPARETE 50 VIE SEALED Cat. No : DTB50GMFH

Draft: BORTOLONI R This is our exclusive property. It is not to be copied, reprinted or disclosed to a third party, nor used for manufacturing, without our written consent, and has to be returned to us in case of no usage.

Date: 13/12/93 European projection Not to scale All dimensions in mm Tolerances ± 0.3 mm Unless otherwise specified

We reserve the right to change dimensions or requirements without prior notice.

BURNDY an FCI Company

BSC307717 Rev 0
Customer drawing

SHEET 1 of 1
BSC307717

10867079	01	AA	ACTIVE	DTB50GMFH	0
PART NO	REV	N/P	GLOBAL STATUS	SUP PN	SUP REV

DWG TYPE	PART DRAWING
DISTRIBUTION	DISTRIBUTABLE
RTG CODE	6901

DELPHI
DELPHI PACKARD ELECTRIC SYSTEMS - POLAND 30 - 399 KRAKOW

THIS DRAWING IS THE PROPERTY OF DELPHI CORPORATION
NO RIGHTS ARE GRANTED TO USE THIS DRAWING FOR ANY PURPOSE OTHERS THAN THE FURNISHING OF SERVICES AND SUPPLIES TO DELPHI CORPORATION

DR	DATE
K.CYBUCH	03DE04
D.PLONKA	03DE04
J.POTEMPA	03DE04
APVD3	
APVD4	
APVD5	

SUBSTANCES OF CONCERN AND RECYCLED CONTENT PER DELPHI-A 10949001

MATERIAL: SEE DRAWING

DRAWING NAME: ASM CONN F SLD

DRAWING NUMBER: 10867079

SIZE	SCALE	FRAME NO	SHEET NO	STG	REV	N/P
A2			1 of 1	R	01	AA

X-ON Electronics

Largest Supplier of Electrical and Electronic Components

Click to view similar products for [Automotive Connectors](#) category:

Click to view products by [APTIV](#) manufacturer:

Other Similar products are found below :

[003-018-000](#) [60403001](#) [60993906-B](#) [629515004020001](#) [M902-2131](#) [M902-2161](#) [72.330.1035.1](#) [73.353.4028.0](#) [F119300-B](#) [F166900](#)
[F258300-B](#) [F358300-B](#) [F407400](#) [F444110](#) [F487000](#) [F509500B-B](#) [827153-1](#) [8N1515-32-24P](#) [9-1326729-8](#) [925474-1](#) [928905-1](#) [964562-4](#)
[968782-1](#) [GT17SA-8DS-HU](#) [98891-1012](#) [98947-1016](#) [12004475-L](#) [12010290](#) [12010309-B](#) [12015454](#) [12020219-B](#) [12020308](#) [12041318-B](#)
[12052225-L](#) [12052466](#) [12059125](#) [12064869](#) [12004327-B](#) [12010503-B](#) [12015308](#) [12015384](#) [12015909](#) [1-21030-1](#) [12041254](#) [12041318](#)
[12047946-B](#) [12047957](#) [12047957-L](#) [12059473](#) [12066261](#)