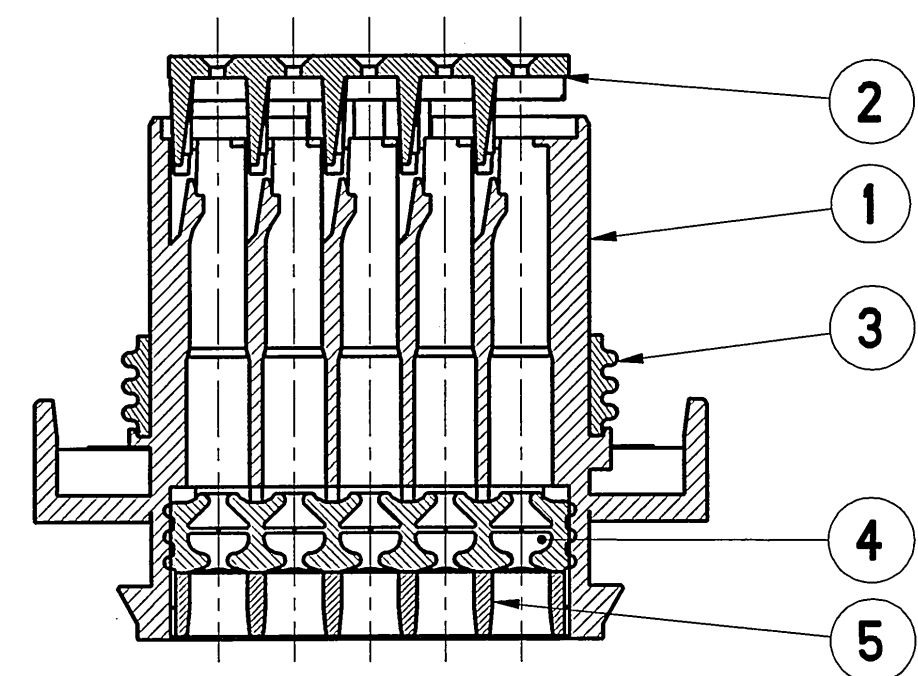
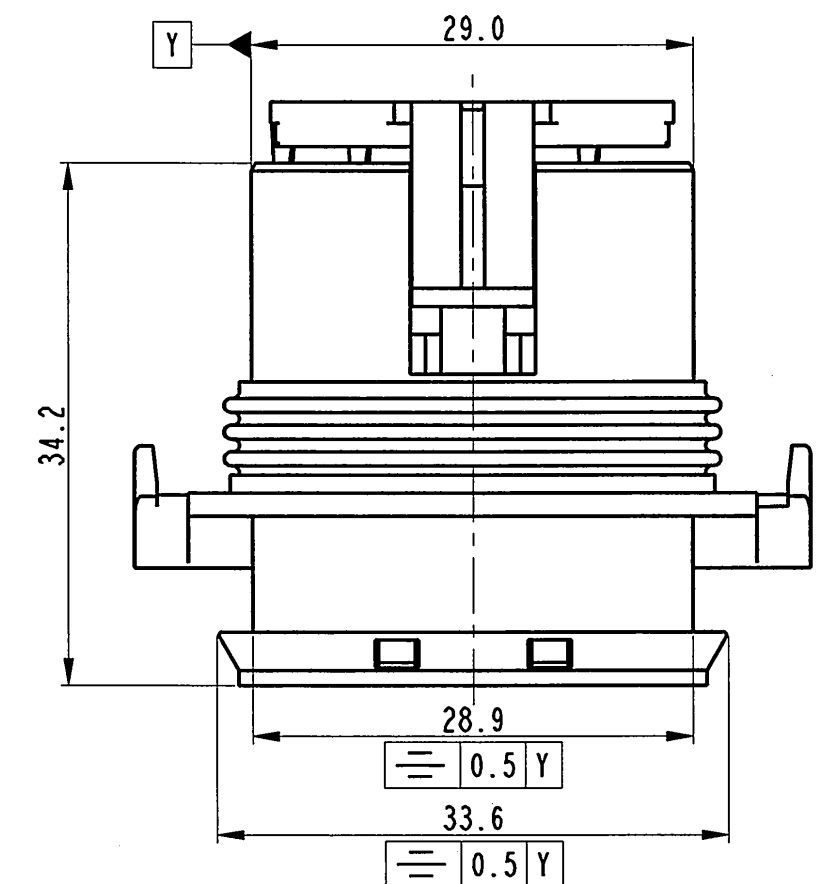
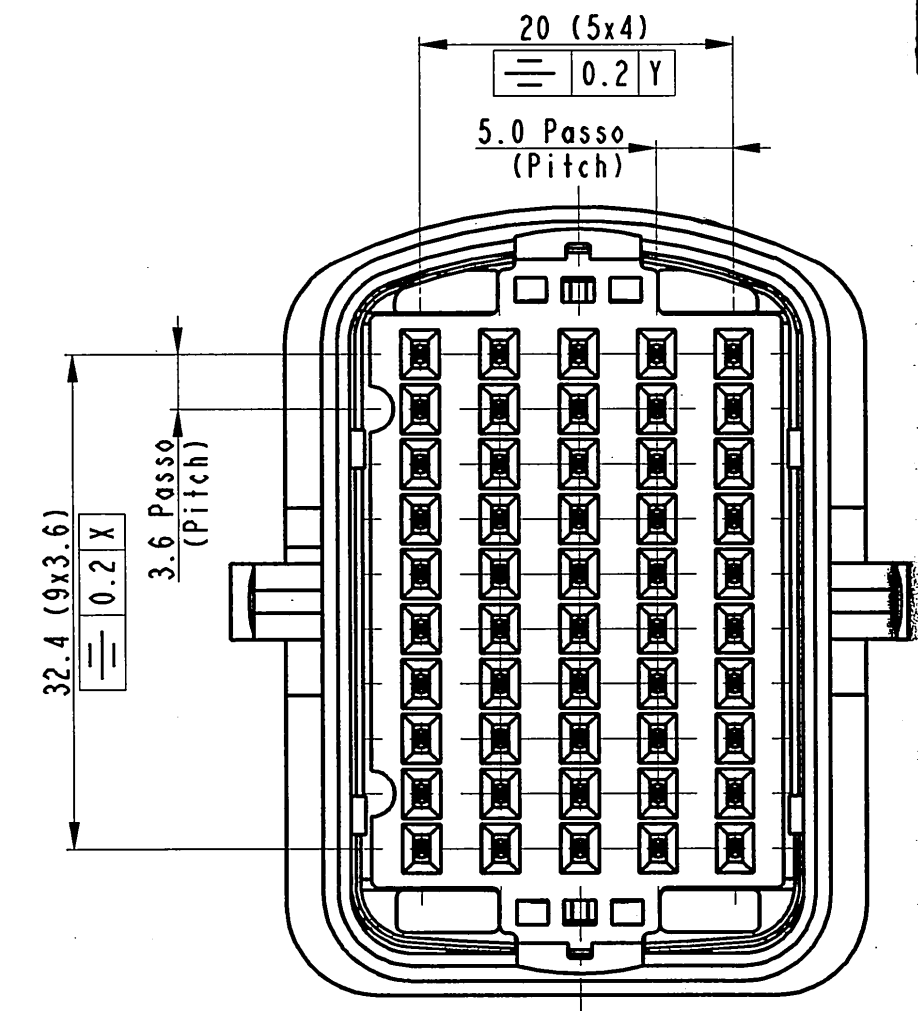
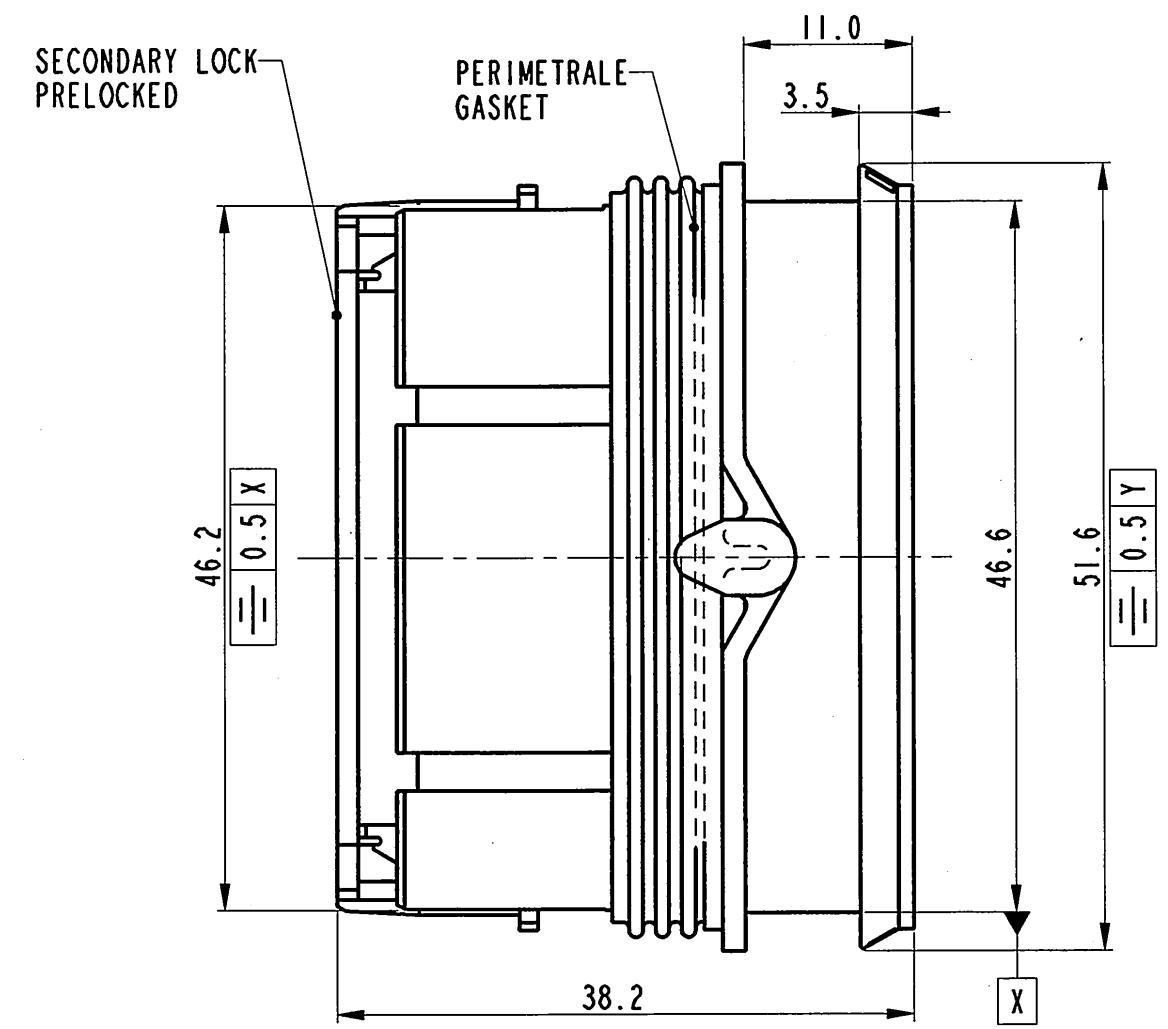
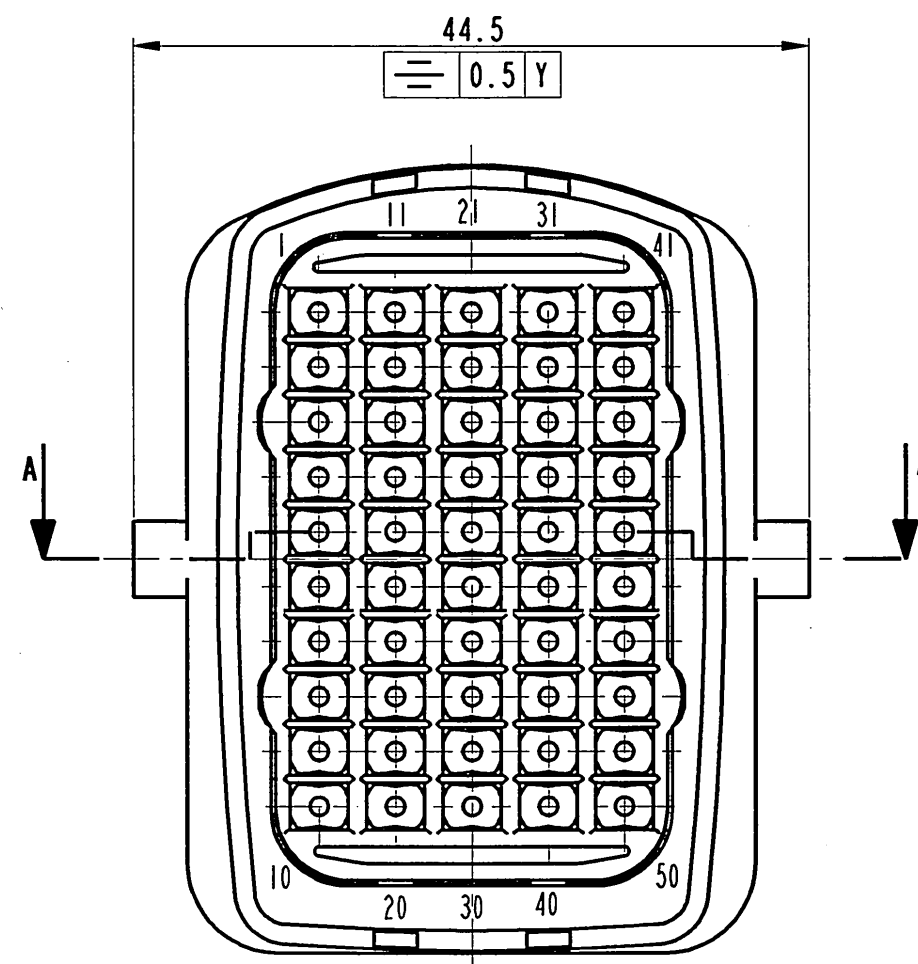


STRICTLY CONFIDENTIAL



CAVITY SUITABLE FOR TERMINAL SICMA - 1.5mm
 (CAVITA' ADATTE PER TERMINALI SICMA - 1.5mm)

SICMA-2
 P/N 211CC2S1120 FOR SECTION WIRE 0.5 - 0.75mm²
 (PER SEZ. CAVO 0.5 - 0.75mm²)

P/N 211CC2S2120 FOR SECTION WIRE 1.0 - 1.5mm²
 (PER SEZ. CAVO 1.0 - 1.5mm²)

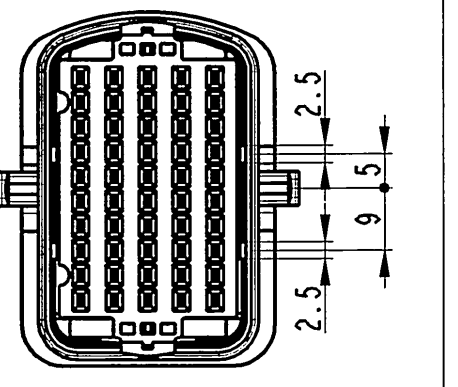
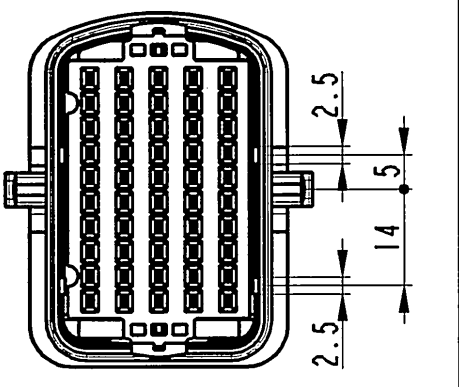
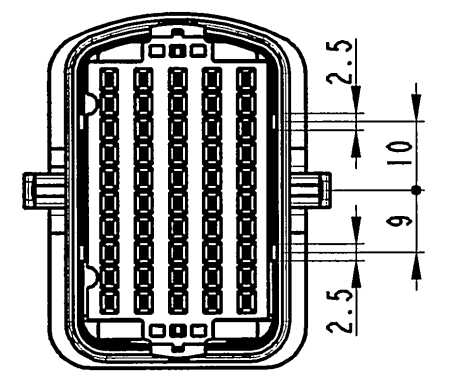
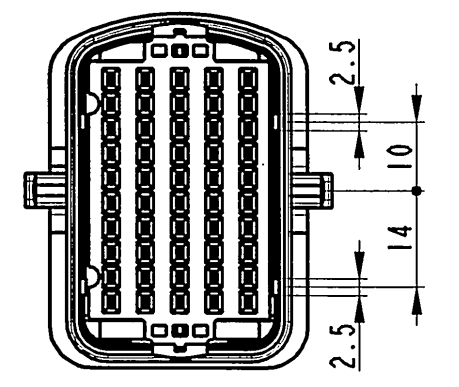
SICMA-3
 P/N 211CC2S1150/60 FOR SECTION WIRE 0.5 - 0.75mm²
 (PER SEZ. CAVO 0.5 - 0.75mm²)

P/N 211CC2S2150/60 FOR SECTION WIRE 1.0 - 1.5mm²
 (PER SEZ. CAVO 1.0 - 1.5mm²)

SICMA-3 PLUS
 P/N 211CC2S1150P/60P FOR SECTION WIRE 0.5 - 0.75mm²
 (PER SEZ. CAVO 0.5 - 0.75mm²)

P/N 211CC2S2150P/60P FOR SECTION WIRE 1.0 - 1.5mm²
 (PER SEZ. CAVO 1.0 - 1.5mm²)

POS.	DENOMINAZIONE	MATERIAL/COLOUR	POS.	DENOMINAZIONE	MATERIAL/COLOUR	POS.	DENOMINAZIONE	MATERIAL/COLOUR	POS.	DENOMINAZIONE	MATERIAL/COLOUR
5	PREMI GROMMET	PBT-BLACK	5	PREMI GROMMET	PBT-BLACK	5	PREMI GROMMET	PBT-BLACK	5	PREMI GROMMET	PBT-BLACK
4	GROMMET	RES. SILICONICA NATURAL	4	GROMMET	RES. SILICONICA NATURAL	4	GROMMET	RES. SILICONICA NATURAL	4	GROMMET	RES. SILICONICA NATURAL
3	PERIMETRALE GASKET	RES. SILICONICA NATURAL	3	PERIMETRALE GASKET	RES. SILICONICA NATURAL	3	PERIMETRALE GASKET	RES. SILICONICA NATURAL	3	PERIMETRALE GASKET	RES. SILICONICA NATURAL
2	SECONDARY LOCK	PBT-RED	2	SECONDARY LOCK	PBT-RED	2	SECONDARY LOCK	PBT-RED	2	SECONDARY LOCK	PBT-RED
1	CONNETTORE PORTA FEMMINE	PBT-BLACK	1	CONNETTORE PORTA FEMMINE	PBT-NATURAL	1	CONNETTORE PORTA FEMMINE	PBT-BLUE	1	CONNETTORE PORTA FEMMINE	PBT-BROWN



DTB50GMFH (BLACK) DTB50GMFH-01 (NATURAL) DTB50GMFH-02 (BLUE similar to RAL 5012) DTB50GMFH-03 (BROWN similar to RAL 8011)

- KEYS TABLE - (CATALOG Nbr.-KEY- COLOUR)

ECN-NO.	DATE	DD / MM / YY	REVISION	POSITION	CHANGE DESCRIPTION	DRAWN BY	CHK. BY	APPR. BY
24-09	07/07/2009		04	G10	Added cavity number in view No mold revision necessary			
65/07	18/09/07		03		Updated peripheral gasket material and title box	FP		TC
36/05	29/06/05		02		Updated drawing and added notes	FP		TC
-	9.12.'04		01		Changed format. Added P/Nbrs ...-01; ...-02; ...-03 E.Cini			M.C.

PRODUCT SPEC.	PACKAGING SPEC.	APPLICATION SPEC.	TOLERANCES	MATERIAL	SURFACE FINISH	CAD SYSTEM
IPS 300	DTB50GMXX	IPS 302	±0.3mm / ±1.0°	SEE TABLE	FINITURA SUPERFICIALE	pro / eng.
DO NOT SCALE DRAWING			DISEGNO FUORI SCALA		LOC. CODE NAZIONALITA'	IT
DRAWN BY	DATE	NAME	TITLE	DRAWING NUMBER		
E.CINI	09.12.04	E.CINI	CONN. PORTAFEMMINE PASSAPARETE 50 VIE SEAL	FSD 307717		
APPROVED BY	DATE	NAME	FILE NAME	SCALE		
M. COLOMBO	09.12.04	M. COLOMBO	fsd307717-1.1-03	2:1		

X-ON Electronics

Largest Supplier of Electrical and Electronic Components

Click to view similar products for [Automotive Connectors](#) category:

Click to view products by [APTIV](#) manufacturer:

Other Similar products are found below :

[003-018-000](#) [60403001](#) [60993906-B](#) [629515004020001](#) [M902-2131](#) [M902-2161](#) [72.330.1035.1](#) [73.353.4028.0](#) [F119300-B](#) [F166900](#)
[F258300-B](#) [F358300-B](#) [F407400](#) [F444110](#) [F487000](#) [F509500B-B](#) [827153-1](#) [8N1515-32-24P](#) [9-1326729-8](#) [925474-1](#) [928905-1](#) [964562-4](#)
[968782-1](#) [GT17SA-8DS-HU](#) [98891-1012](#) [98947-1016](#) [12004475-L](#) [12010290](#) [12010309-B](#) [12015454](#) [12020219-B](#) [12020308](#) [12041318-B](#)
[12052225-L](#) [12052466](#) [12059125](#) [12064869](#) [12004327-B](#) [12010503-B](#) [12015308](#) [12015384](#) [12015909](#) [1-21030-1](#) [12041254](#) [12041318](#)
[12047946-B](#) [12047957](#) [12047957-L](#) [12059473](#) [12066261](#)