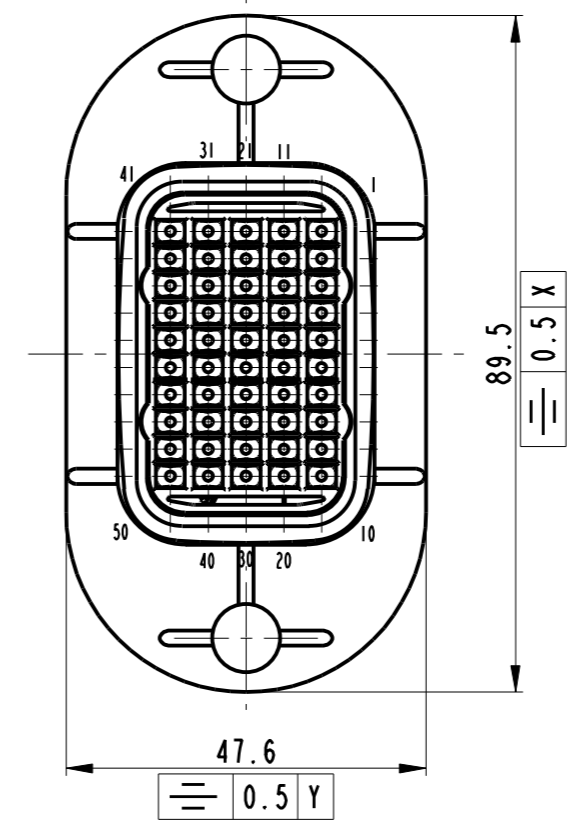
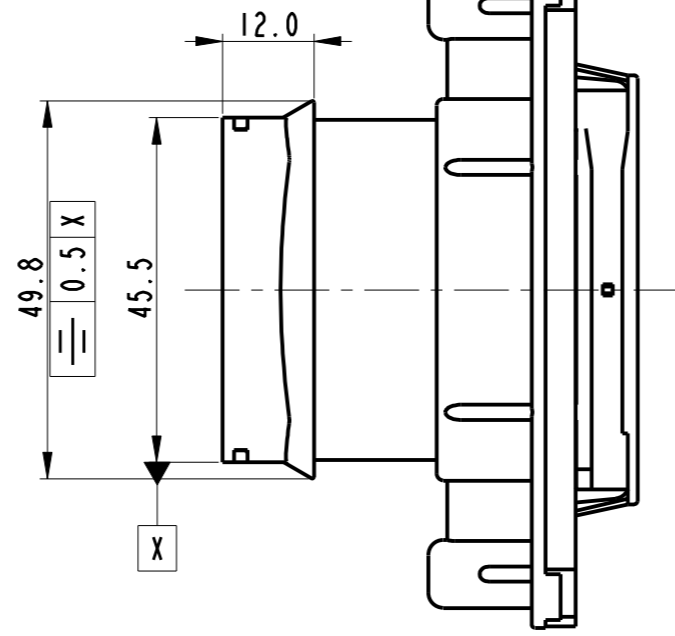
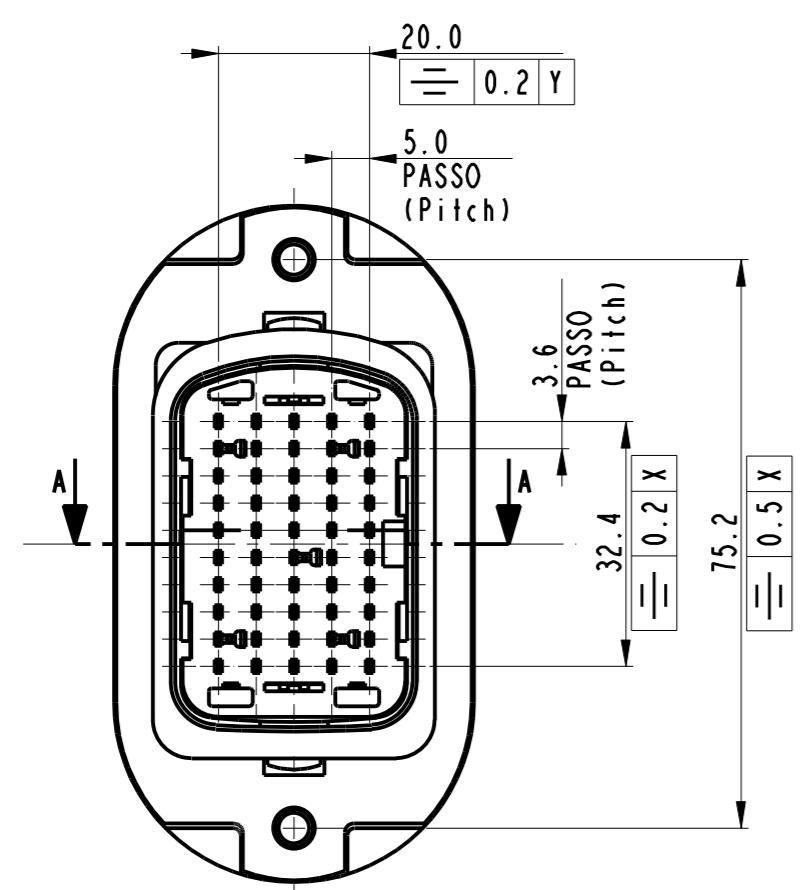


STRICTLY CONFIDENTIAL



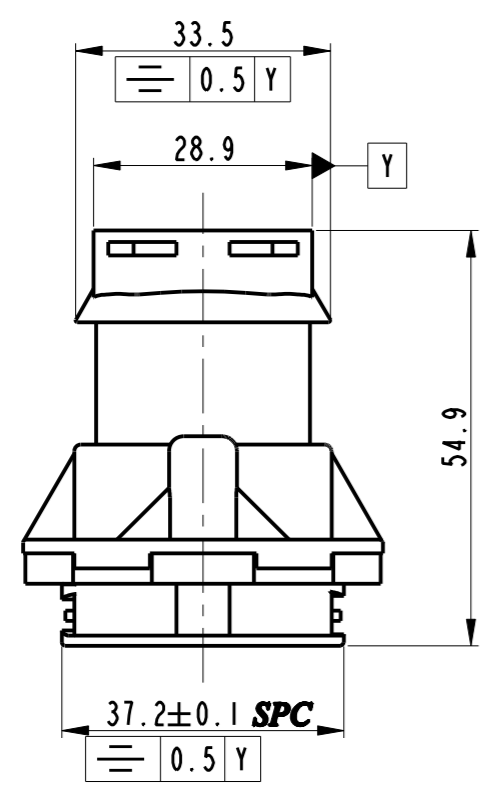
CAVITY SUITABLE FOR TERMINAL SICMA - 1.5mm
 (CAVITA' ADATTE PER TERMINALI SICMA - 1.5mm)

SICMA-2
 P/N 211CL2S1120 FOR SECTION WIRE 0.5 - 0.75mm²
 (PER SEZ. CAVO 0.5 - 0.75mm²)

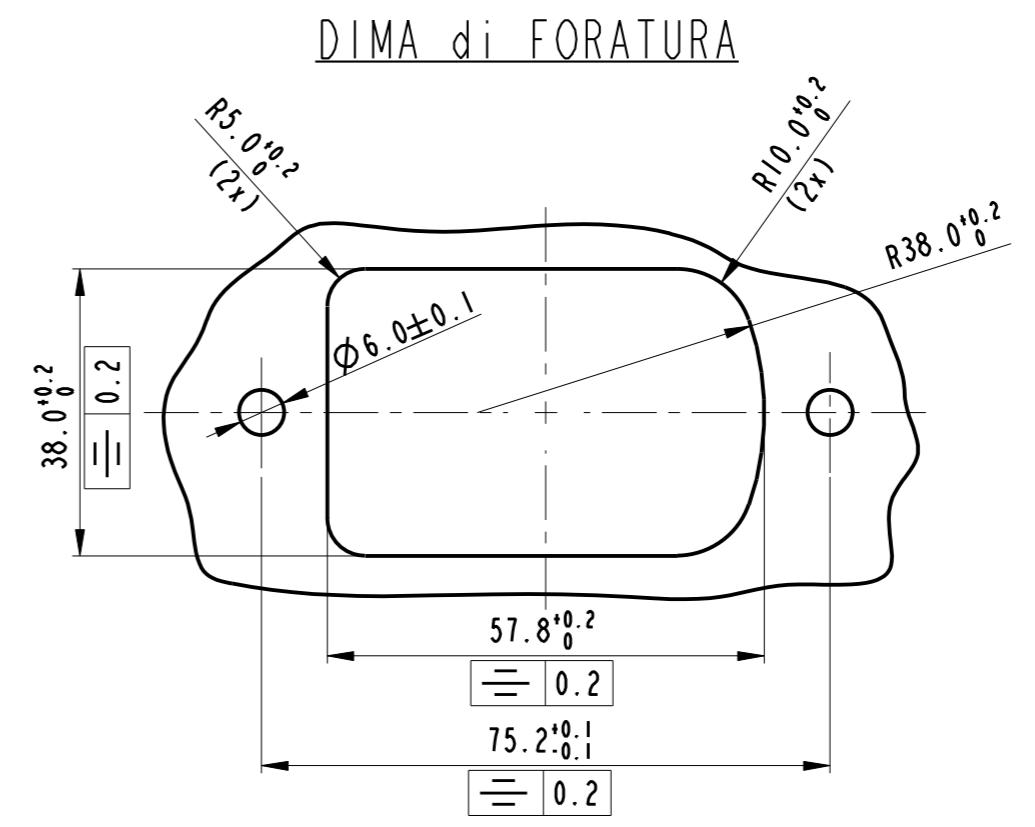
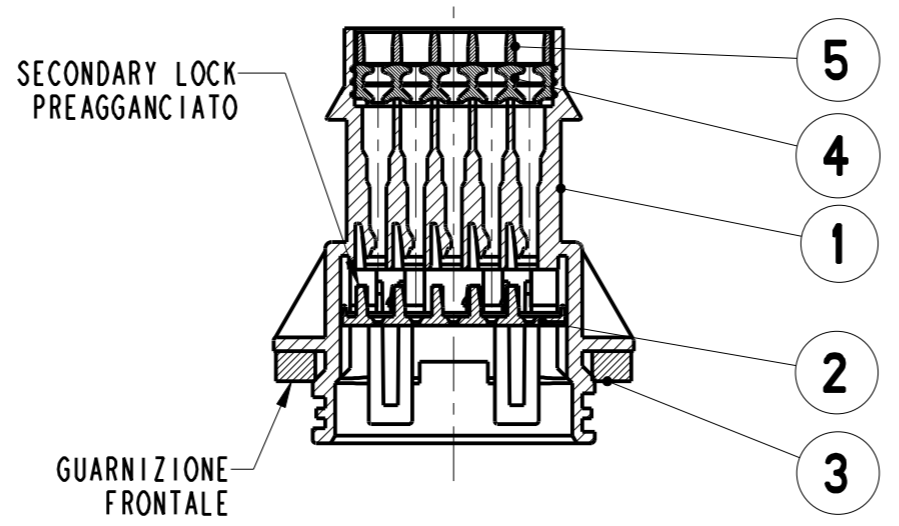
P/N 211CL2S2120 FOR SECTION WIRE 1.0 - 1.5mm²
 (PER SEZ. CAVO 1.0 - 1.5mm²)

SICMA-3
 P/N 211CL2S1160 FOR SECTION WIRE 0.5 - 0.75mm²
 (PER SEZ. CAVO 0.5 - 0.75mm²)

P/N 211CL2S2160 FOR SECTION WIRE 1.0 - 1.5mm²
 (PER SEZ. CAVO 1.0 - 1.5mm²)

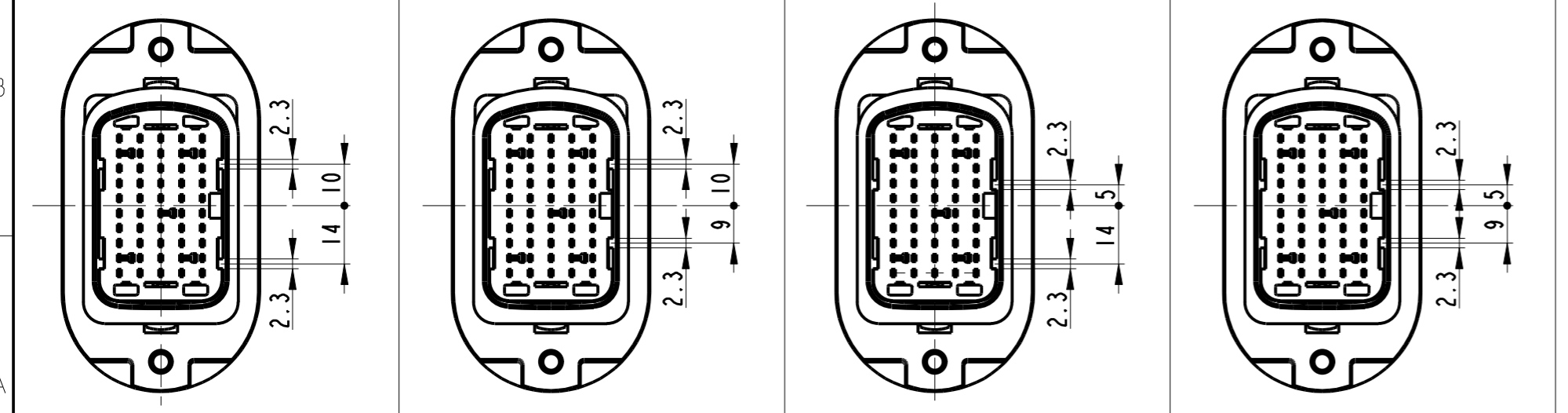


SEZ. A-A



SHEET METAL THICKNESS 0.8 - 0.9 mm
 SPESSORE LAMIERA 0.8 - 0.9 mm

5	PREMI GROMMET	PBT-BLACK	5	PREMI GROMMET	PBT-BLACK	5	PREMI GROMMET	PBT-BLACK	5	PREMI GROMMET	PBT-BLACK
4	GROMMET	RES. SILICONICA NATURAL	4	GROMMET	RES. SILICONICA NATURAL	4	GROMMET	RES. SILICONICA NATURAL	4	GROMMET	RES. SILICONICA NATURAL
3	GUARNIZIONE FRONTALE	GOMMA ESPANSA BLACK	3	GUARNIZIONE FRONTALE	GOMMA ESPANSA BLACK	3	GUARNIZIONE FRONTALE	GOMMA ESPANSA BLACK	3	GUARNIZIONE FRONTALE	GOMMA ESPANSA BLACK
2	SECONDARY LOCK	PBT-RED	2	SECONDARY LOCK	PBT-RED	2	SECONDARY LOCK	PBT-RED	2	SECONDARY LOCK	PBT-RED
1	CONNETTORE PORTA MASCHI	PBT-BLACK	1	CONNETTORE PORTA MASCHI	PBT-NATURAL	1	CONNETTORE PORTA MASCHI	PBT-BLUE	1	CONNETTORE PORTA MASCHI	PBT-BROWN
POS.	DENOMINAZIONE	MATERIAL/COLOUR	POS.	DENOMINAZIONE	MATERIAL/COLOUR	POS.	DENOMINAZIONE	MATERIAL/COLOUR	POS.	DENOMINAZIONE	MATERIAL/COLOUR



- KEYS TABLE - (CATALOG Nbr. -KEY- COLOUR)

CR-17/7774	31-03-2017	A	UPDATED FUNCTIONAL DIMENSION AND FRAME		F.G. R.B. G.I.
24-09	07/07/2009	04	G10	Added cavity number in view No mold revision necessary	G.B. M.C.
03/06	16/01/06	03		Updated title box	FP TC
36/05	29/06/05	02		Updated drawing and added notes	FP TC
-	9.12.'04	01		Changed format. Added P/Nbrs ...-01; ...-02; ...-03	E.Cini M.C.
ECN-NO. NUMBER: ECH	DATE DD / MM / YY	REVISION REVISIONE	POSITION POSIZIONE	CHANGE DESCRIPTION DESCRIZIONE MODIFICA	DRAWN BY DISEGNATORE
PRODUCT SPEC SPEC. DI PRODOTTO	PACKAGING SPEC. SPEC. DI IMBALLAGGIO	APPLICATION SPEC. SPEC. DI APPLICAZIONE	COPYRIGHT DELPHI CORPORATION AND/OR ITS AFFILIATES. ALL RIGHTS RESERVED. REVISIONED THIS DRAWING IS THE PROPERTY OF DELPHI CORPORATION. THE REPRODUCTION, DISTRIBUTION AND UTILIZATION OF THIS DOCUMENT OR ITS RELATED CAD DATA, AS WELL AS COMMUNICATION OF ANY CONTENT TO OTHERS, WITHOUT EXPRESS AUTHORIZATION IS PROHIBITED.		
IPS 300	DTB50GMXX	IPS 302	DELPHI CORPORATION ELECTRICAL/ELECTRONIC ARCHITECTURE TORINO, ITALY		
TOLERANCES TOLLERANZE	±0.3mm / ±1.0°	MATERIAL : MATERIALE	SURFACE FINISH FINITURA SUPERFICIALE		
COUNTERPART N°: CONTROPARTE N°:	DTB50GMFH-(XX)	COLOUR : COLORE	SEE TABLE		
DO NOT SCALE DRAWING DISEGNO FUORI SCALA	DATE DATA	NAME NOME	LOC. CODE NAZIONALITA'	IT	
DRAWN BY DISEGNATORE	26.10.04	E.CINI	TITLE DESCRIZIONE		
CHECKED BY CONTROLLO	26.10.04	M.COLOMBO	CONNETTORE PORTAMASCHI PASSAPORTE 50 VIE		
APPROVED BY APPROVATO	26.10.04	M.COLOMBO	ESR NO. NUMERO ESR	EU-050033	CAT. NO. NUMERO CAT. See table
			DRAWING NUMBER NUMERO DI SEGNO	FSD309807	
			DWG SIZE FORMATO	A2	
			DIMENSION IN MILLIMETERS DIMENSIONI IN MILLIMETRI	1 of 1 di 1	
			FILE NAME NOME FILE	FSD309807-1-1-A	
			SCALE SCALA	1:1	

X-ON Electronics

Largest Supplier of Electrical and Electronic Components

Click to view similar products for [Automotive Connectors](#) category:

Click to view products by [APTIV](#) manufacturer:

Other Similar products are found below :

[003-018-000](#) [60403001](#) [60993906-B](#) [629515004020001](#) [M902-2131](#) [M902-2161](#) [72.330.1035.1](#) [73.353.4028.0](#) [F119300-B](#) [F166900](#)
[F258300-B](#) [F358300-B](#) [F407400](#) [F444110](#) [F487000](#) [F509500B-B](#) [827153-1](#) [8N1515-32-24P](#) [9-1326729-8](#) [925474-1](#) [928905-1](#) [964562-4](#)
[968782-1](#) [GT17SA-8DS-HU](#) [98891-1012](#) [98947-1016](#) [12004475-L](#) [12010290](#) [12010309-B](#) [12015454](#) [12020219-B](#) [12020308](#) [12041318-B](#)
[12052225-L](#) [12052466](#) [12059125](#) [12064869](#) [12004327-B](#) [12010503-B](#) [12015308](#) [12015384](#) [12015909](#) [1-21030-1](#) [12041254](#) [12041318](#)
[12047946-B](#) [12047957](#) [12047957-L](#) [12059473](#) [12066261](#)