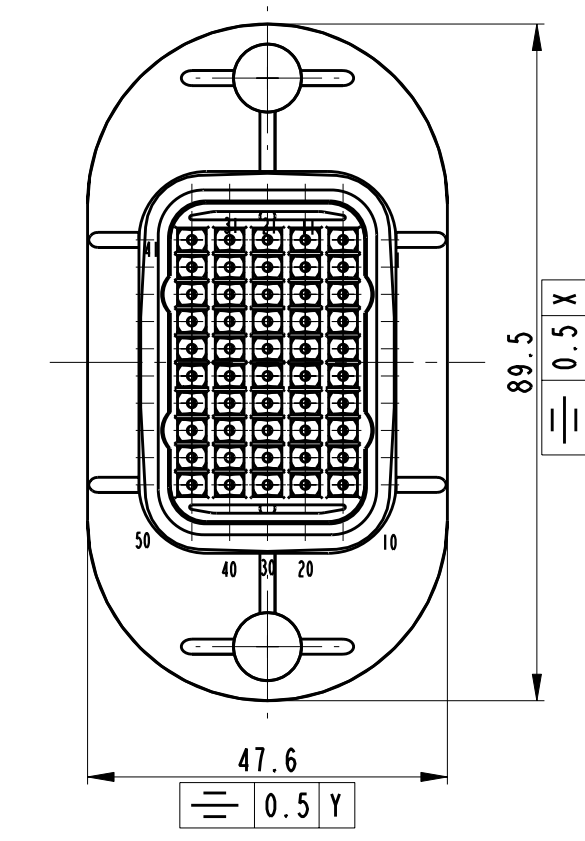
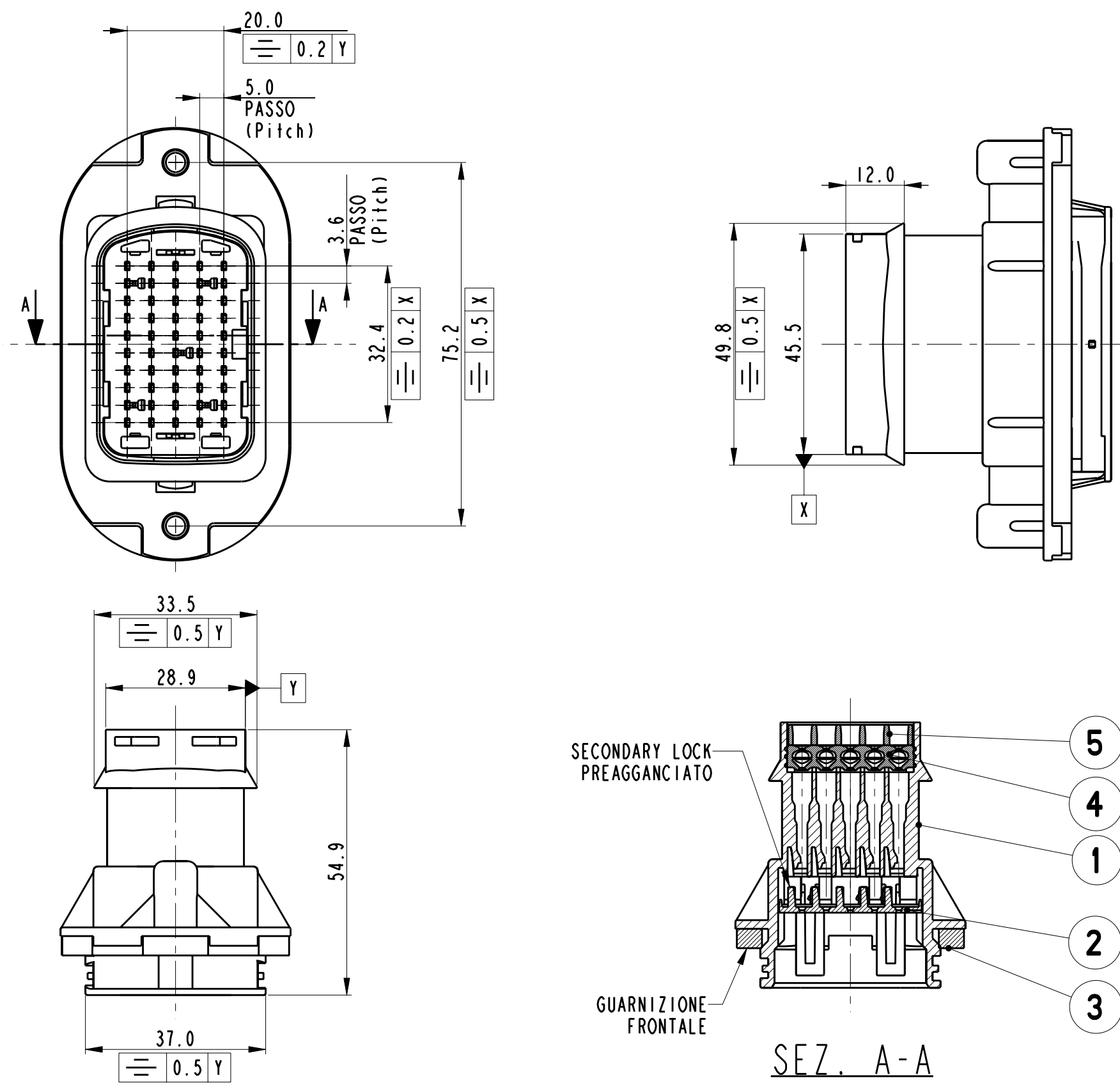


**STRICTLY CONFIDENTIAL**



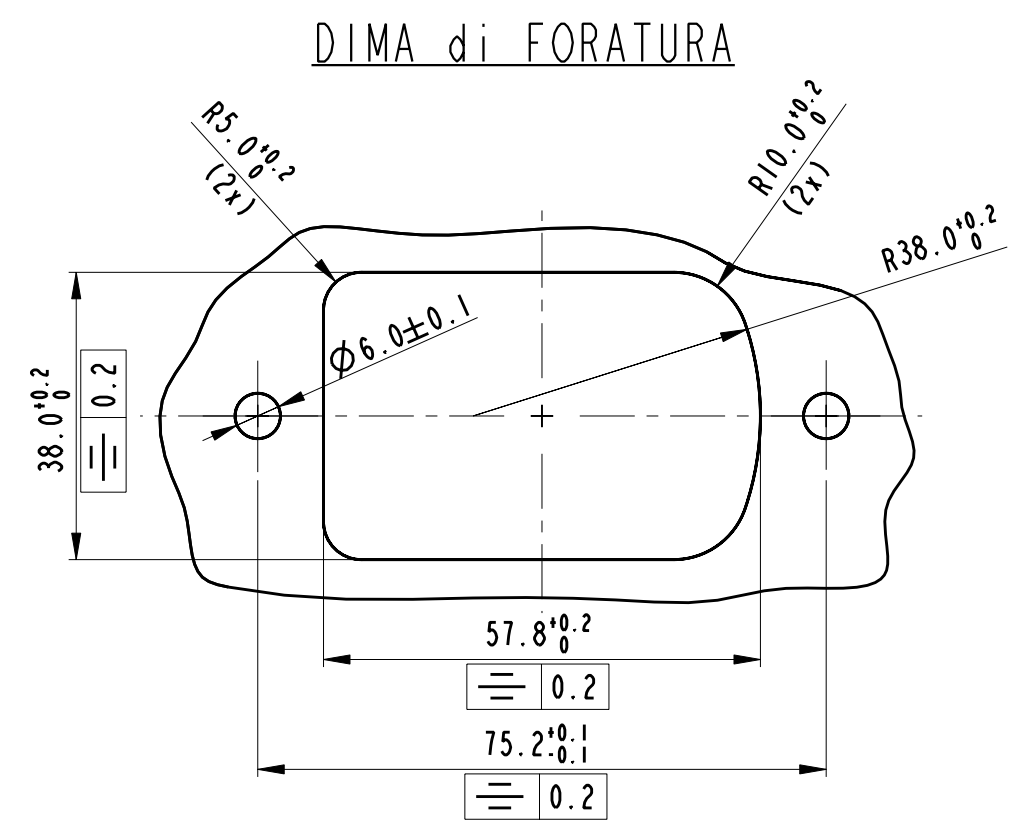
CAVITY SUITABLE FOR TERMINAL SICMA - 1.5mm  
 (CAVITA' ADATTE PER TERMINALI SICMA - 1.5mm)

SICMA-2  
 P/N 211CL2S1120 FOR SECTION WIRE 0.5 - 0.75mm<sup>2</sup>  
 (PER SEZ. CAVO 0.5 - 0.75mm<sup>2</sup>)

P/N 211CL2S2120 FOR SECTION WIRE 1.0 - 1.5mm<sup>2</sup>  
 (PER SEZ. CAVO 1.0 - 1.5mm<sup>2</sup>)

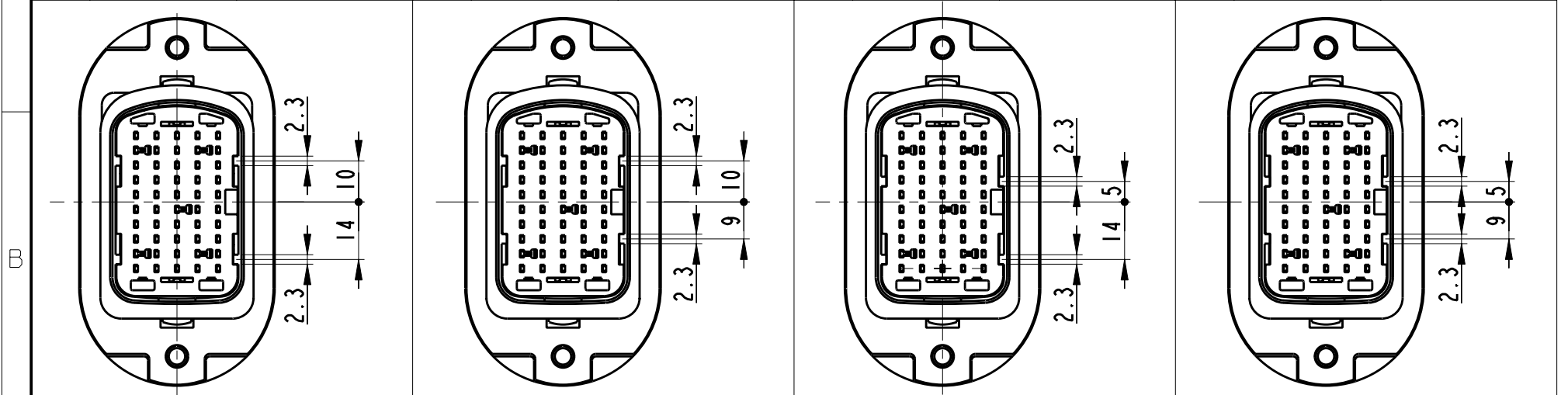
SICMA-3  
 P/N 211CL2S1160 FOR SECTION WIRE 0.5 - 0.75mm<sup>2</sup>  
 (PER SEZ. CAVO 0.5 - 0.75mm<sup>2</sup>)

P/N 211CL2S2160 FOR SECTION WIRE 1.0 - 1.5mm<sup>2</sup>  
 (PER SEZ. CAVO 1.0 - 1.5mm<sup>2</sup>)



SHEET METAL THICKNESS 0.8 - 0.9 mm  
 SPESSORE LAMIERA 0.8 - 0.9 mm

5	PREMI GROMMET	PBT-BLACK	5	PREMI GROMMET	PBT-BLACK	5	PREMI GROMMET	PBT-BLACK	5	PREMI GROMMET	PBT-BLACK
4	GROMMET	RES. SILICONICA NATURAL	4	GROMMET	RES. SILICONICA NATURAL	4	GROMMET	RES. SILICONICA NATURAL	4	GROMMET	RES. SILICONICA NATURAL
3	GUARNIZIONE FRONTALE	GOMMA ESPANSA BLACK	3	GUARNIZIONE FRONTALE	GOMMA ESPANSA BLACK	3	GUARNIZIONE FRONTALE	GOMMA ESPANSA BLACK	3	GUARNIZIONE FRONTALE	GOMMA ESPANSA BLACK
2	SECONDARY LOCK	PBT-RED	2	SECONDARY LOCK	PBT-RED	2	SECONDARY LOCK	PBT-RED	2	SECONDARY LOCK	PBT-RED
1	CONNETTORE PORTA MASCHI	PBT-BLACK	1	CONNETTORE PORTA MASCHI	PBT-NATURAL	1	CONNETTORE PORTA MASCHI	PBT-BLUE	1	CONNETTORE PORTA MASCHI	PBT-BROWN
POS.	DENOMINAZIONE	MATERIAL/COLOUR	POS.	DENOMINAZIONE	MATERIAL/COLOUR	POS.	DENOMINAZIONE	MATERIAL/COLOUR	POS.	DENOMINAZIONE	MATERIAL/COLOUR



DTB50GMH (BLACK)	DTB50GMH-01 (NATURAL)	DTB50GMH-02 (BLUE similar RAL 5012)	DTB50GMH-03 (BROWN similar RAL 8011)	PART NUMBER	MVL
A	A	A	A	PART REVISION	
10866552	-	33501054	-	PART NUMBER	DELPHI
01	-	01	-	PART REVISION	

- KEYS TABLE - (CATALOG Nbr. -KEY- COLOUR)

420756	22/12/12	A	-	DELPHI P/N ADDED	SR	DT	LE
24-09	07/07/2009	04	G10	Added cavity number in view No mold revision necessary			
03/06	16/01/06	03		Updated title box	FP		TC
36/05	29/06/05	02		Updated drawing and added notes	FP		TC
-	9.12.'04	01		Changed format. Added P/Nbrs ...-01; ...-02; ...-03	E.Cini		M.C.
ECN-NO. NUMERO ECH	DATE DD / MM / YY DATA	REVISION REVISIONE	POSITION POSIZIONE	CHANGE DESCRIPTION DESCRIZIONE MODIFICA	DRAWN BY DISEGNATORE	CHK. BY CONTROLLO	APPR. BY APPROVATO
PRODUCT SPEC. SPEC. DI PRODOTTO	PACKAGING SPEC. SPEC. DI IMBALLAGGIO	APPLICATION SPEC. SPEC. DI APPLICAZIONE	COPYRIGHT DELPHI CORPORATION AND/OR ITS AFFILIATES. ALL RIGHTS RESERVED. REVISED THIS DRAWING IS THE PROPERTY OF DELPHI CORPORATION. THE REPRODUCTION, DISTRIBUTION AND UTILIZATION OF THIS DOCUMENT OR ITS RELATED CAD DATA, AS WELL AS COMMUNICATION OF ANY CONTENT TO OTHERS, WITHOUT EXPRESS AUTHORIZATION IS PROHIBITED.				
IPS 300	DTB50GMXX	IPS 302					
TOLERANCES TOLLERANZE	±0.3mm / ±1.0°	MATERIAL : MATERIALE	SURFACE FINISH FINITURA SUPERFICIALE		CAD SYSTEM		
COUNTERPART Nbr. CONTROPARTE Nbr.	DTB50GMFH-(XX)	COLOUR : COLORE	SEE TABLE		DELPHI PACKARD ELECTRICAL/ELECTRONIC ARCHITECTURE TORINO, ITALY		
DO NOT SCALE DRAWING DISEGNO FUORI SCALA		TOOL NO. :	LOC. CODE NAZIONALITA'		pro / eng.		
DRAWN BY DISEGNATORE	DATE DATA	NAME NOME	TITLE DESCRIZIONE		DWG SIZE FORMATO		
26.10.04		E.CINI	CONNETTORE PORTAMASCHI PASSAPARETE 50 VIE		A2		
CHECKED BY CONTROLLO					SHEET FOGLIO		
26.10.04		N.COLOMBO			1		
APPROVED BY APPROVATO					of 1 di 1		
26.10.04		N.COLOMBO			FSD 309807		
ESR-NO. NUMERO ESR	EU-050033	CAT. NO. NUMERO CAT.	See table		FILE NAME HOME FILE		
					fsd309807-1_1-03		
					SCALE SCALA 1:1		

## X-ON Electronics

Largest Supplier of Electrical and Electronic Components

*Click to view similar products for [Automotive Connectors](#) category:*

*Click to view products by [APTIV](#) manufacturer:*

Other Similar products are found below :

[003-018-000](#) [60403001](#) [60993906-B](#) [629515004020001](#) [M902-2131](#) [M902-2161](#) [72.330.1035.1](#) [73.353.4028.0](#) [F119300-B](#) [F166900](#)  
[F258300-B](#) [F358300-B](#) [F407400](#) [F444110](#) [F487000](#) [F509500B-B](#) [827153-1](#) [8N1515-32-24P](#) [9-1326729-8](#) [925474-1](#) [928905-1](#) [964562-4](#)  
[968782-1](#) [GT17SA-8DS-HU](#) [98891-1012](#) [98947-1016](#) [12004475-L](#) [12010290](#) [12010309-B](#) [12015454](#) [12020219-B](#) [12020308](#) [12041318-B](#)  
[12052225-L](#) [12052466](#) [12059125](#) [12064869](#) [12004327-B](#) [12010503-B](#) [12015308](#) [12015384](#) [12015909](#) [1-21030-1](#) [12041254](#) [12041318](#)  
[12047946-B](#) [12047957](#) [12047957-L](#) [12059473](#) [12066261](#)