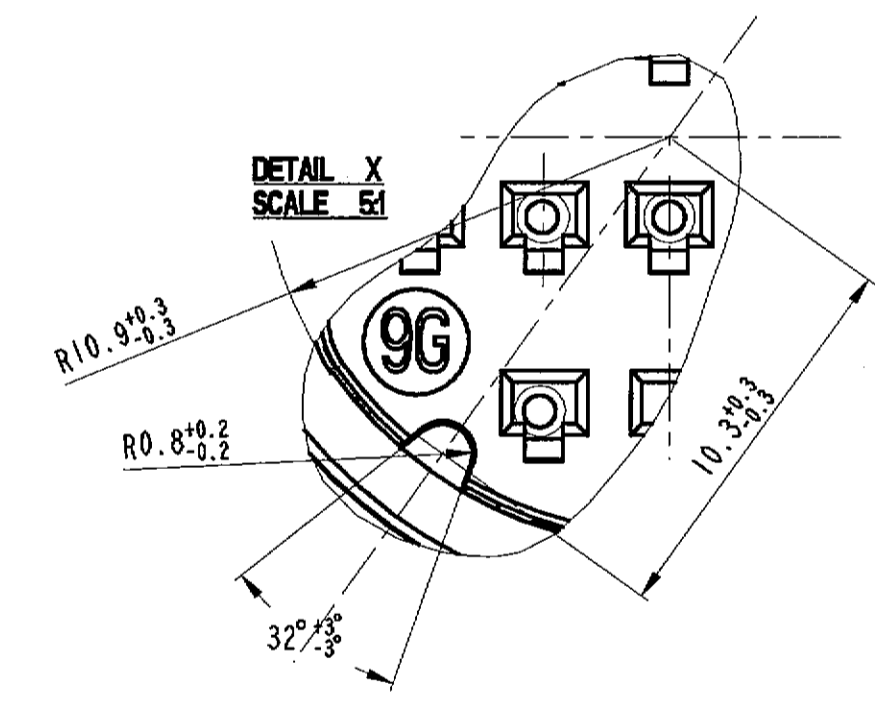
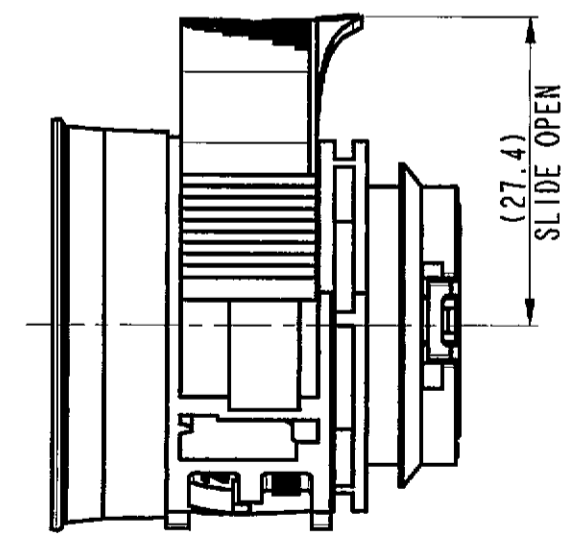
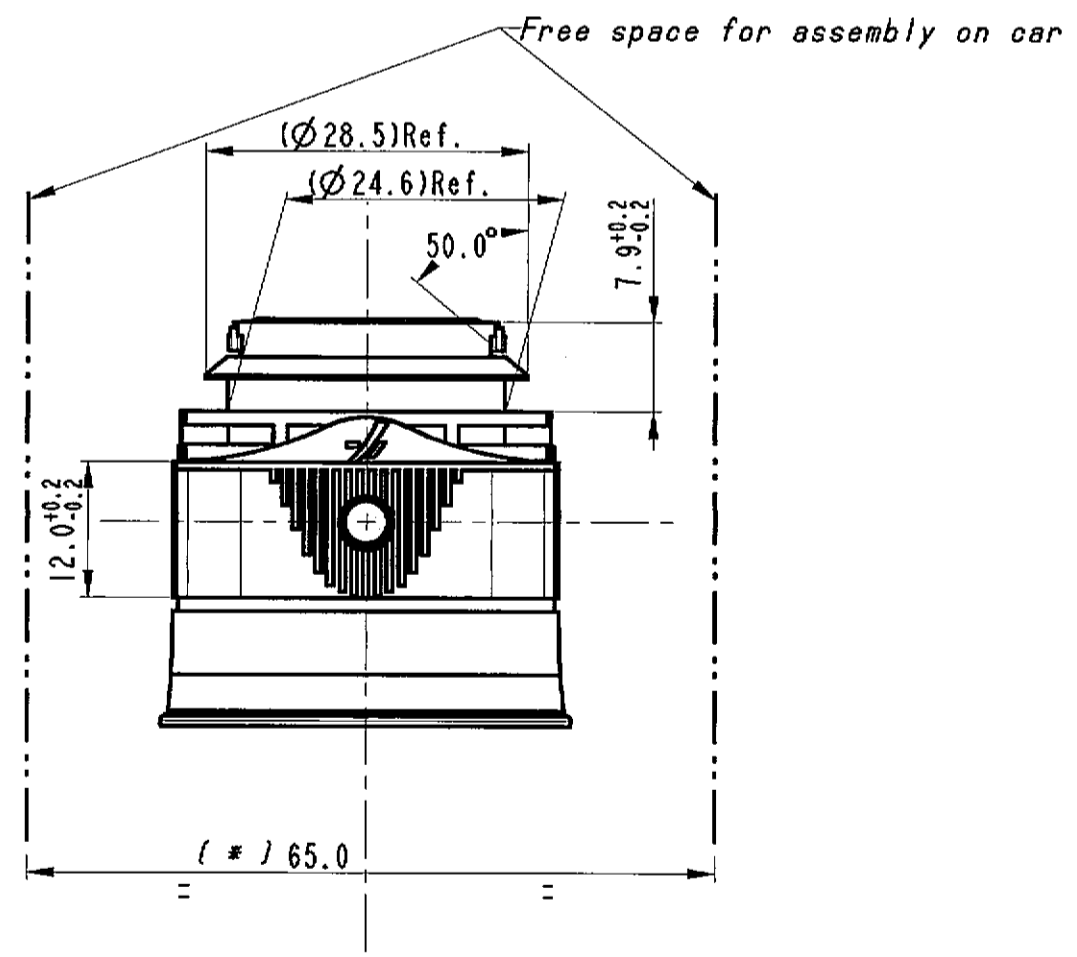
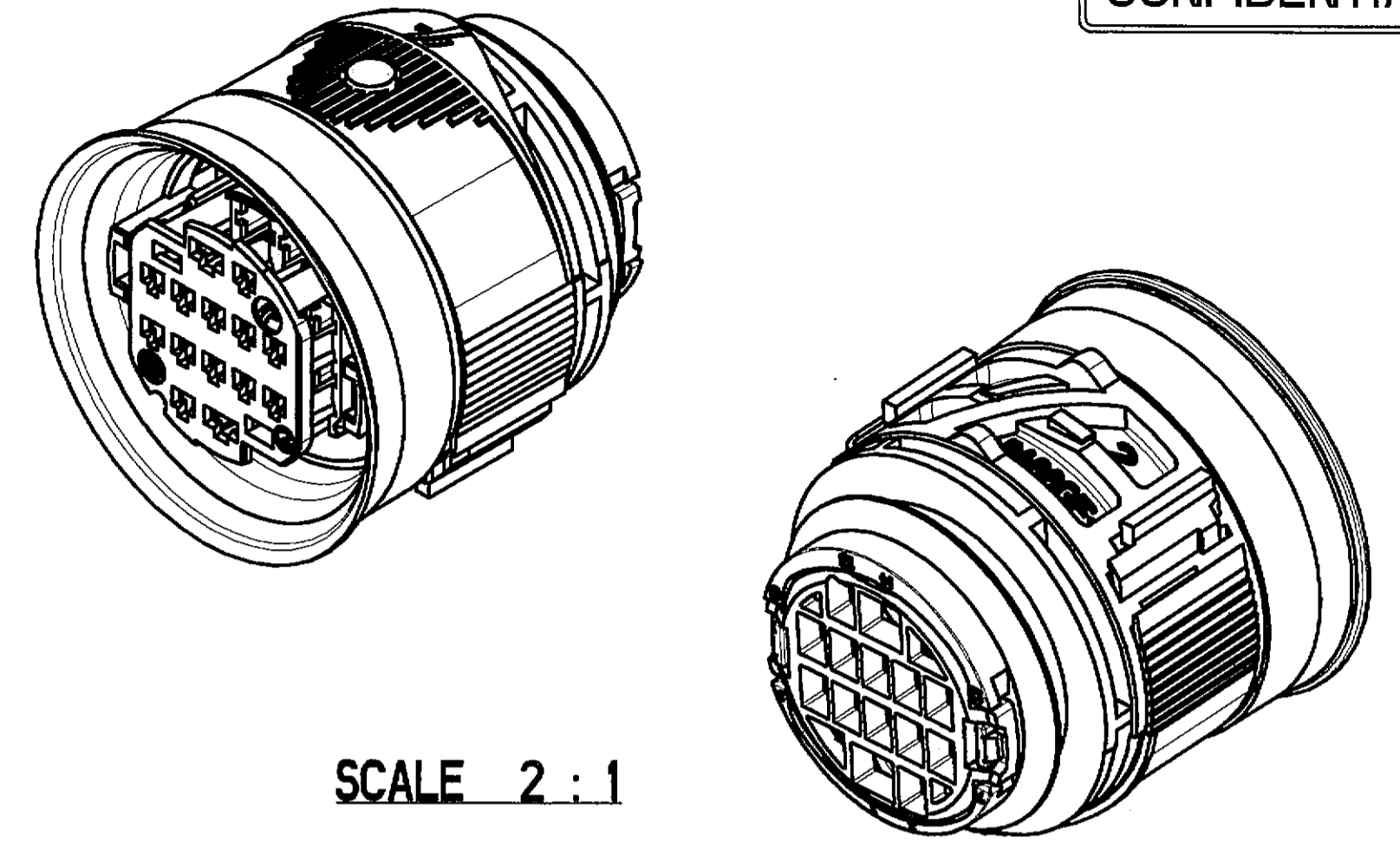
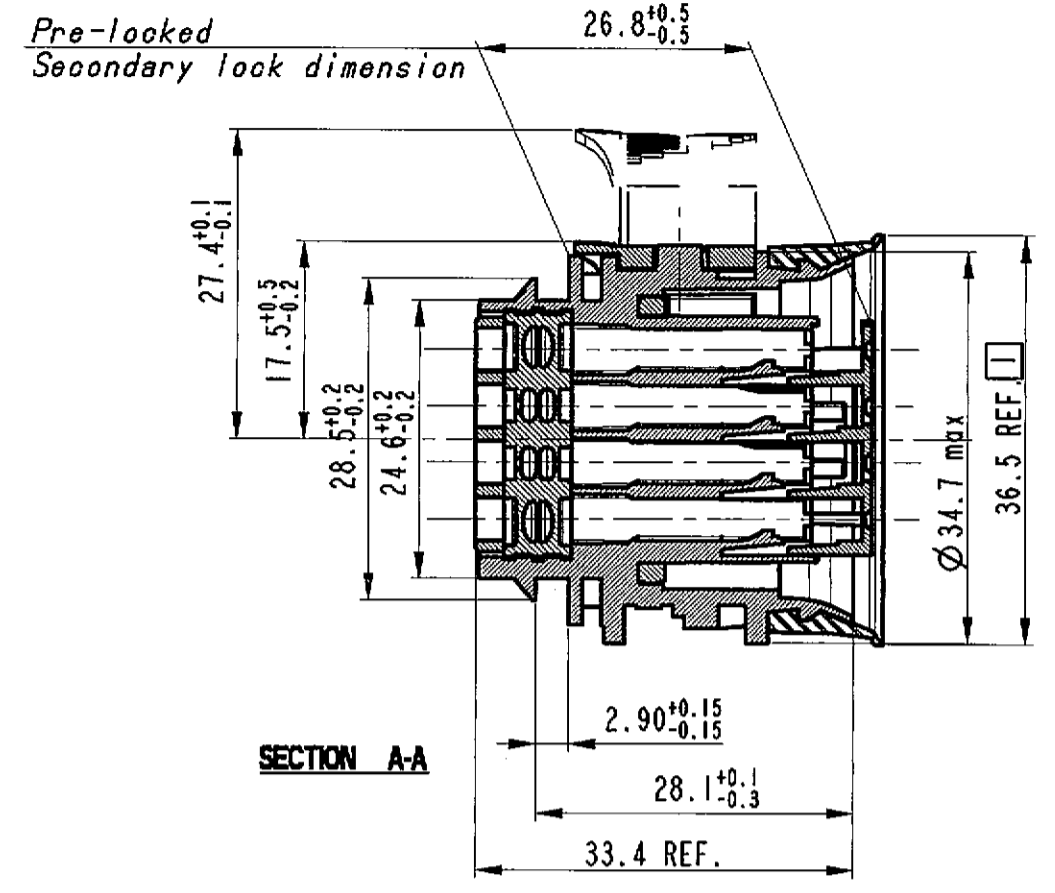
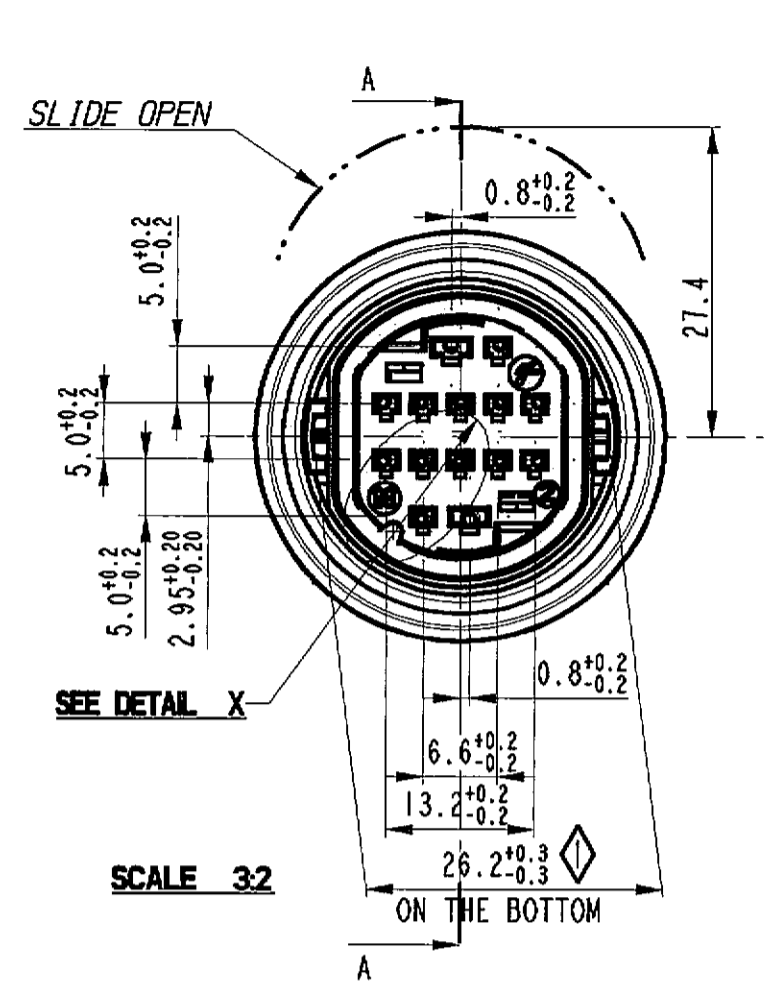


STRICTLY CONFIDENTIAL

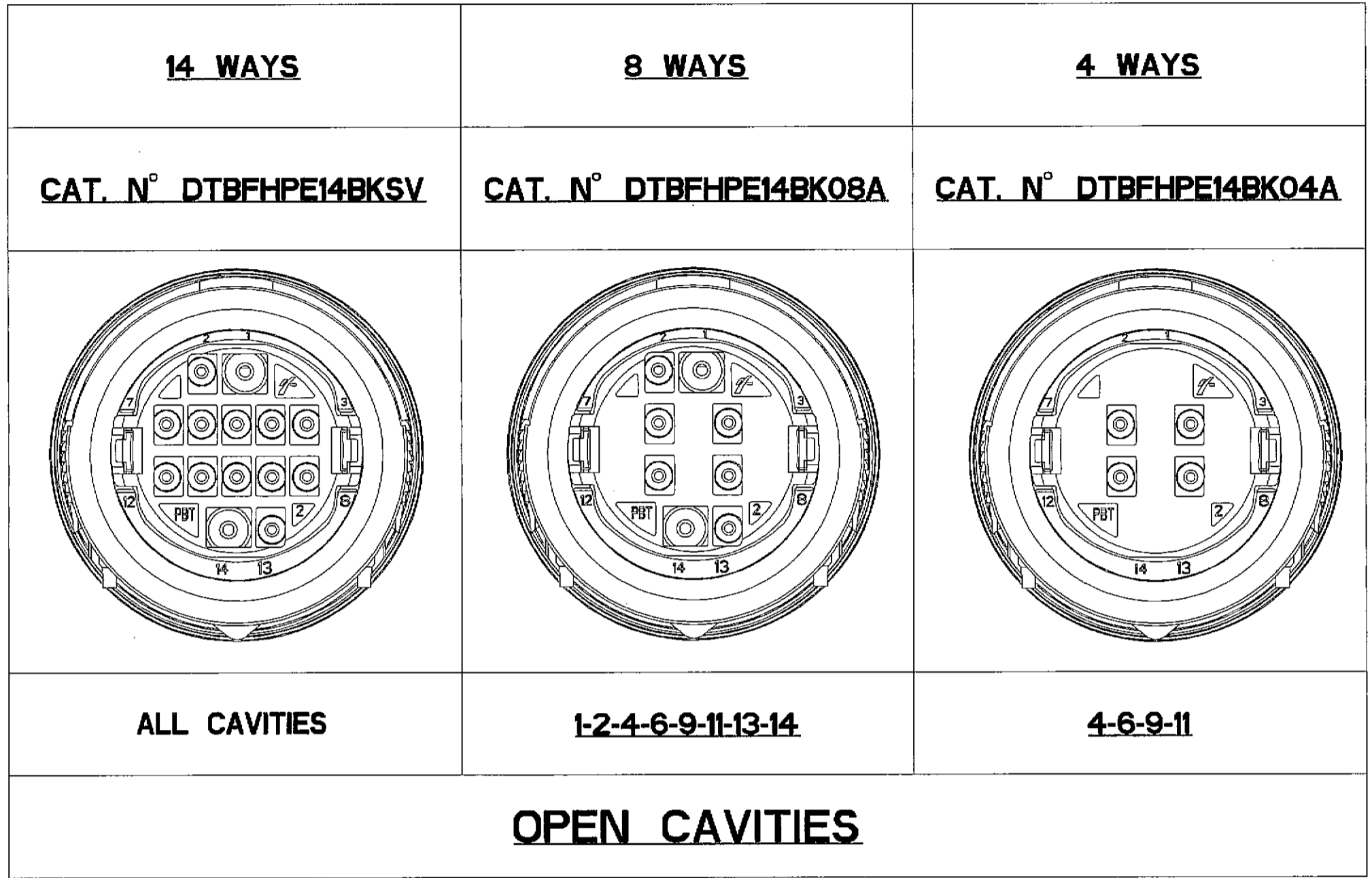


Note: minimum external diameter authorized of wire:
 for 1.5 terminal = 1.40 mm, for 2.8 terminal = 1.75 mm CAPABILITY
 External gasket maximum clearance after mating male and female holder.

(*) For information
 - For use and mating operation, see spec: IPS 170/186/187/188/189/190/201/202

ECN-NO. / NUMERO-ECN	DATE / DATA	DD / MM / YY	REVISION / REVISIONE	POSITION / POSIZIONE	CHANGE DESCRIPTION / DESCRIZIONE MODIFICA	DRAWN BY / CHS. BY	BY / APPR. BY
PRODUCT SPEC. / SPEC. DI PRODOTTO	PACKAGING SPEC. / SPEC. DI IMBALLAGGIO	APPLICATION SPEC. / SPEC. DI APPLICAZIONE	THIS DRAWING AND ALL OTHER INFORMATION CONTAINED THEREIN IS PROPRIETARY AND THE PROPERTY OF FCI. This drawing may not be copied, reproduced or disclosed to any third party without the expressed written permission of FCI. © FCI April 1999			QUESTO DISEGNO ED OGNI ALTRA INFORMAZIONE IN ESSO CONTENUTA SONO ESCLUSIVAMENTE DI PROPRIETA' DELLA FCI. Questo disegno non può essere copiato, riprodotto o divulgato a terzi senza l'espresso consenso scritto della FCI. © FCI Aprile 1999	
TOLERANCES / TOLLERANZE		MATERIAL / MATERIALE		SURFACE FINISH / FINITURA SUPERFICIALE		ISO PROJECTION / PROIEZIONE ISO	
± 0.1mm. / ± 0.5°		SEE TABLE				CAD SYSTEM / pro / eng.	
DO NOT SCALE DRAWING / DISEGNO FUORI SCALA		COLOUR / COLORE		LOC. CODE / NAZIONALITA'		FCI AUTOMOTIVE	
DRAWN BY / DISEGNATORE		DATE / DATA		TITLE / DESCRIZIONE		DRAWING NUMBER / NUMERO DISEGNO	
CHECKED BY / CONTROLLATO		DATE / DATA		DOOR TO BODY 14 WAYS ASSY FEMALE HOLDER SEALED VERSION		FSC 309418	
APPROVED BY / APPROVATO		DATE / DATA		FILE NAME / NUMERO ESR		SEE TABLE ON THE SHEET 2 OF 2	
				ITA2035		SCALE 3:2	

STRICTLY CONFIDENTIAL



DESCRIPTION	PART NUMBER	MATERIALS	COLOUR
BODY	DTBFHPA14BKBD	PA66 GF15	GREEN
GROMMET STOP	DTBFHPE14BKGD	PBT NATURAL	BLACK
	DTBFHPE08GNGD	PBT NATURAL	GREEN
	DTBFHPE04GYGD	PBT NATURAL	GREY
	DTBFHSY14RDGR	SYLICON RUBBER	RED
SEC. LOCK	DTBFHPE14YESL	PBT GF 10	YELLOW
EXT. GASKET	DTBFHSY14BKEG	SYLICON RUBBER	BLACK
INT. GASKET	DTBFHSY14RDIG	SYLICON RUBBER	RED
SLIDE	DTBFHPA14BLGY	PA66 GF30	GREY
COMPONENTS			

CONTACTS	TYPE	RANGE	COATING	MATERIAL	SIZE	SECTION	TEMPERATURE
211 CC 2 S 1150	1.5 x 0.8	1	Sn	Cu Zn15	SICMA 3	0.35 - 0.75	85° C
211 CC 2 S 2150	1.5 x 0.8	2	Sn	Cu Zn15		1.0 - 2.0	
211 CC 2 S 1160	1.5 x 0.8	1	Sn	Cu Fe2P		0.35 - 0.75	125° C
211 CC 2 S 2160	1.5 x 0.8	2	Sn	Cu Fe2P		1.0 - 2.0	
211 CC 2 S 1260	1.5 x 0.8	1	Au	Cu Fe2P		0.35 - 0.75	
211 CC 2 S 2260	1.5 x 0.8	2	Au	Cu Fe2P		1.0 - 2.0	
211 CC 3 S 1120	2.8 x 0.8	1	Sn	Cu Mg 1	SICMA 2	0.35 - 0.75	
211 CC 3 S 2120	2.8 x 0.8	2	Sn	Cu Mg 1		1.0 - 2.5	
211 CC 3 S 3120	2.8 x 0.8	3	Sn	Cu Mg 1		3.0 - 5.0	
211 CC 3 S 1220	2.8 x 0.8	1	Au	Cu Mg 1		0.35 - 0.75	
211 CC 3 S 2220	2.8 x 0.8	2	Au	Cu Mg 1		1.0 - 2.5	

ECN-NO. NUMERO -ECN	DATE DATA	DD / MM / YY	REVISION REVISIONE	POSITION POSIZIONE	CHANGE DESCRIPTION DESCRIZIONE MODIFICA	DRAWN BY DISSEGNA	CHE. BY CONTROLLATO	APPR. BY APPROVATO
PRODUCT SPEC. SPEC. DI PRODOTTO	PACKAGING SPEC. SPEC. DI IMBALLAGGIO	APPLICATION SPEC. SPEC. DI APPLICAZIONE		THIS DRAWING AND ALL OTHER INFORMATION CONTAINED THEREIN IS PROPRIETARY AND THE PROPERTY OF FCI. This drawing may not be copied, reproduced or disclosed to any third party without the expressed written permission of FCI. QUESTO DISEGNO ED OGNI ALTRA INFORMAZIONE IN ESSO CONTENUTA SONO ESCLUSIVI E DI PROPRIETA' DELLA FCI. Questo disegno non può essere copiato, riprodotto o divulgato a terzi senza l'esplicito consenso scritto della FCI. © FCI April 1999		CAD SYSTEM pro / eng.		
TOLERANCES TOLLERANZE	MATERIAL : MATERIALE :		SURFACE FINISH FINITURA SUPERFICIALE		ISO PROJECTION PROIEZIONE ISO			
± 0.1mm. / ± 0.5°	SEE TABLE		COLOUR : COLORE :		DIMENSION IN MILLIMETERS DIMENSIONI IN MILLISENTI			
DO NOT SCALE DRAWING DISEGNO FUORI SCALA	DATE DATA	NAME NOME	TITLE DESCRIZIONE	LOC. CODE NAZIONALITA'	DRAWING NUMBER NUMERO DISEGNO		SHEET FOGLIO	
DRAWN BY DISSEGNA	11/04/02		DOOR TO BODY 14 WAYS		FSD 309418		2	
CHECKED BY CONTROLLATO	12/04/02		ASSY FEMALE HOLDER SEALED VERSION		SEE TABLE		2	
APPROVED BY APPROVATO			ESR NO. NUMERO ESR	FILE NAME NOME FILE	FSD 309418	CAT. NO. NUMERO CAT.	SCALE SCALA	
			ITA2035				2:1	

X-ON Electronics

Largest Supplier of Electrical and Electronic Components

Click to view similar products for [Automotive Connectors](#) category:

Click to view products by [APTIV](#) manufacturer:

Other Similar products are found below :

[003-018-000](#) [60403001](#) [60993906-B](#) [629515004020001](#) [M902-2131](#) [M902-2161](#) [72.330.1035.1](#) [73.353.4028.0](#) [F119300-B](#) [F166900](#)
[F258300-B](#) [F358300-B](#) [F407400](#) [F444110](#) [F487000](#) [F509500B-B](#) [827153-1](#) [8N1515-32-24P](#) [9-1326729-8](#) [925474-1](#) [928905-1](#) [964562-4](#)
[968782-1](#) [GT17SA-8DS-HU](#) [98891-1012](#) [98947-1016](#) [12004475-L](#) [12010290](#) [12010309-B](#) [12015454](#) [12020219-B](#) [12020308](#) [12041318-B](#)
[12052225-L](#) [12052466](#) [12059125](#) [12064869](#) [12004327-B](#) [12010503-B](#) [12015308](#) [12015384](#) [12015909](#) [1-21030-1](#) [12041254](#) [12041318](#)
[12047946-B](#) [12047957](#) [12047957-L](#) [12059473](#) [12066261](#)