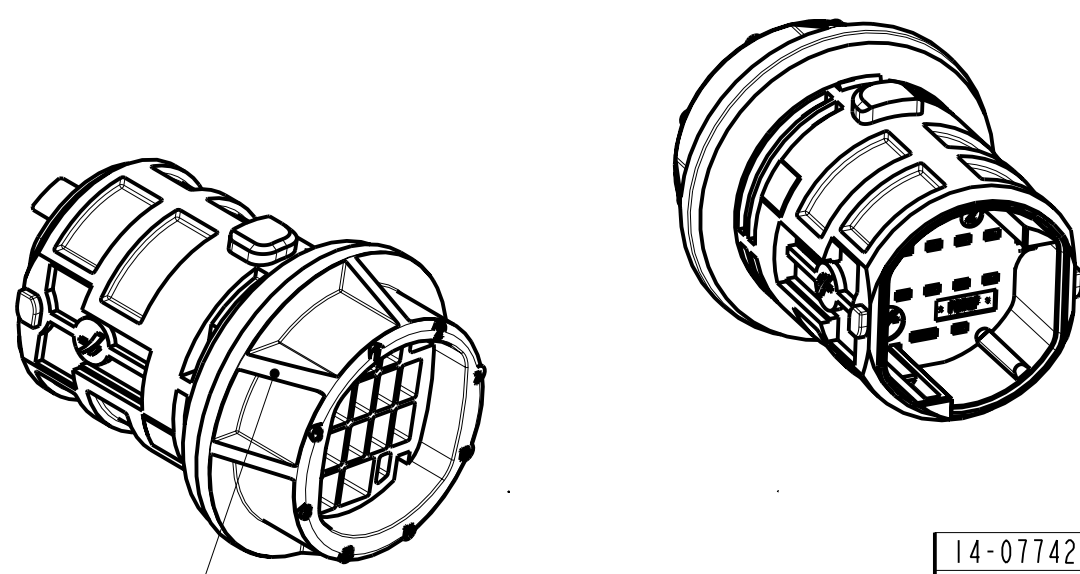
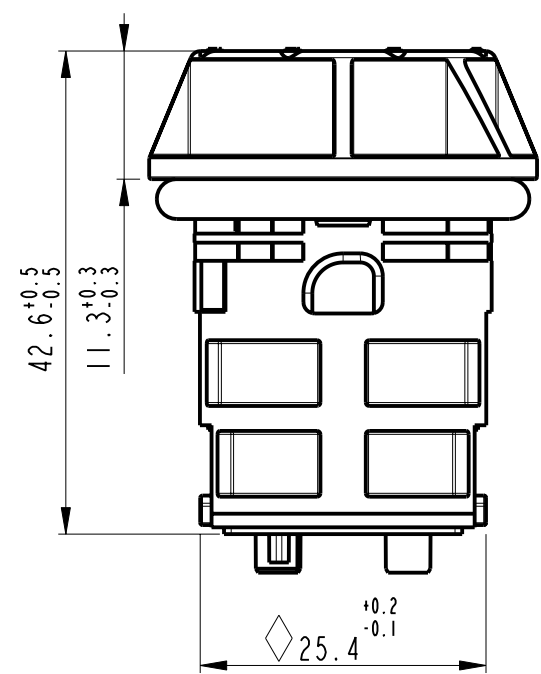
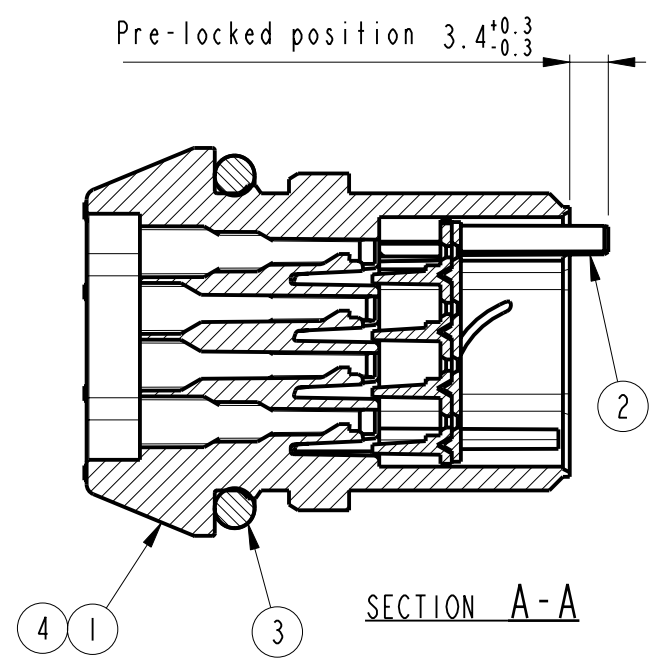
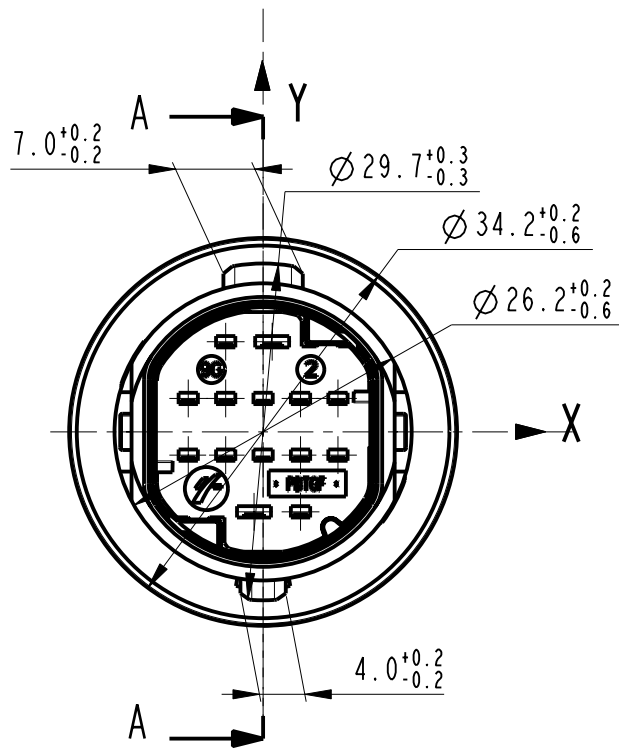


Cavity number	1	2	3	4	5	6	7	8	9	10	11	12	13	14
X dim (±0.1)	0.8	-3.3	6.6	3.3	0.0	-3.3	-6.6	6.6	3.3	0.0	-3.3	-6.6	3.3	-0.8
Y dim (±0.1)	7.95	7.95	2.95	2.95	2.95	2.95	2.95	-2.05	-2.05	-2.05	-2.05	-2.05	-7.05	-7.05

DRAWING NUMBER FSC 309228 REVISION A SHEET 1/1 APPROVAL LEVEL  
 NUMERO DISEGNO FSC 309228 REVISIONE A FOGLIO 1/1 LIV. DI APPROVAZIONE  
 DRAWING DISEGNO C

**STRICTLY CONFIDENTIAL**



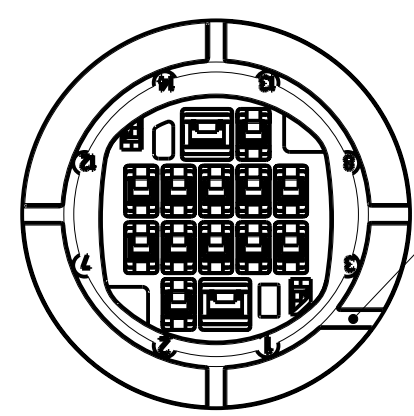
3	-	-	-	-
2	Secondary lock	WHITE	17261401WO	33513253
1	12+2 Ways male body	BLACK	-	-
3	O-ring	BLACK	-	-
2	Secondary lock	WHITE	DTBMHPA14BKHL	33500396
1	12+2 Ways male body	BLACK	-	-
ITEM	COMPONENT DESCRIPTION	COLOUR	MVL	DELPHI
			ASSY P/N	

ADDITIONAL RIB FOR ORIENTATION

Cavity suitable for contacts:

- SICMA-2 1.5 mm 21ICL2S1120(MVL)/10738196(DELPHI)
- 21ICL2S2120(MVL)/10738197(DELPHI)
- SICMA-2 2.8 mm 21ICL3S1120(MVL)/10738582(DELPHI)
- 21ICL3S2120(MVL)/10738201(DELPHI)
- SICMA-3 1.5 mm 21ICL2S1160(MVL)/10730997(DELPHI)
- 21ICL2S2160(MVL)/15368852(DELPHI)

◊ Capability dimension



14-07742	03/11/14	A		DELPHI P/N ADDED	S.N	F.G	M.C
93/06	12/12/06	12		ADDED P/N 17261401WO			
06/04	02/02/04	11		REMOVED P/N 172661451 CHANGED S.L. COLOUR WAS YELLOW	FG		MC
01/04	09/01/04	10	-	ADDED ORIENTATION RIB - ADDED NEW CODING (172661451) CHANGED DRAWING FORMAT AND NUMER- WAS FSA 309228	FG		MC
ECN-NO. NUMERO -ECN	DATE DD / MM / YY DATA	REVISION REVISIONE	POSITION POSIZIONE	CHANGE DESCRIPTION DESCRIZIONE MODIFICA	DRAWN BY DISEGNATORE	CHK. BY CONTROLLATO	APPR. BY APPROVATO
PRODUCT SPEC. SPEC. DI PRODOTTO	PACKAGING SPEC. SPEC. DI IMBALLAGGIO	APPLICATION SPEC. SPEC. DI APPLICAZIONE	COPYRIGHT DELPHI CORPORATION AND/OR ITS AFFILIATES. ALL RIGHTS RESERVED. REVISED THIS DRAWING IS THE PROPERTY OF DELPHI CORPORATION. THE REPRODUCTION, DISTRIBUTION AND UTILIZATION OF THIS DOCUMENT OR ITS RELATED CAD MATH DATA, AS WELL AS COMMUNICATION OF ANY CONTENT TO OTHERS, WITHOUT EXPRESS AUTHORIZATION IS PROHIBITED.				
TOLERANCES TOLLERANZE	± 0.3mm / ± 1'	MATERIAL : MATERIALE :	SURFACE FINISH FINITURA SUPERFICIALE		DELPHI DELPHI PACKARD ELECTRICAL/ELECTRONIC ARCHITECTURE TORINO, ITALY		
COUNTERPART Nr. CONTROPARTE Nr.		COLOUR : COLORE :			CAD SYSTEM pro / eng.		
DO NOT SCALE DRAWING DISEGNO FUORI SCALA		TOOL NO.		LOC. CODE NAZIONALITA' IT	DWM SIZE FORMATO A3		
DRAWN BY DISEGNATORE	DATE DATA	NAME NOME	TITLE DESCRIZIONE	DRAWING NUMBER NUMERO DISEGNO	SHEET FOGLIO		
CHECKED BY CONTROLLATO			DTB 12 + 2 Ways conn. Headlamp version	FSC 309228	1 of 1 di		
APPROVED BY APPROVATO	13/10/03	G. STELLA	ESR NO. NUMERO ESR	CAT. NO. NUMERO CAT.	FILE NAME NOME FILE	SCALE SCALA 1:1	

FSC 309228

1 of 1

## X-ON Electronics

Largest Supplier of Electrical and Electronic Components

*Click to view similar products for [Automotive Connectors](#) category:*

*Click to view products by [APTIV](#) manufacturer:*

Other Similar products are found below :

[003-018-000](#) [60403001](#) [60993906-B](#) [629515004020001](#) [M902-2131](#) [M902-2161](#) [72.330.1035.1](#) [73.353.4028.0](#) [F119300-B](#) [F166900](#)  
[F258300-B](#) [F358300-B](#) [F407400](#) [F444110](#) [F487000](#) [F509500B-B](#) [827153-1](#) [8N1515-32-24P](#) [9-1326729-8](#) [925474-1](#) [928905-1](#) [964562-4](#)  
[968782-1](#) [GT17SA-8DS-HU](#) [98891-1012](#) [98947-1016](#) [12004475-L](#) [12010290](#) [12010309-B](#) [12015454](#) [12020219-B](#) [12020308](#) [12041318-B](#)  
[12052225-L](#) [12052466](#) [12059125](#) [12064869](#) [12004327-B](#) [12010503-B](#) [12015308](#) [12015384](#) [12015909](#) [1-21030-1](#) [12041254](#) [12041318](#)  
[12047946-B](#) [12047957](#) [12047957-L](#) [12059473](#) [12066261](#)