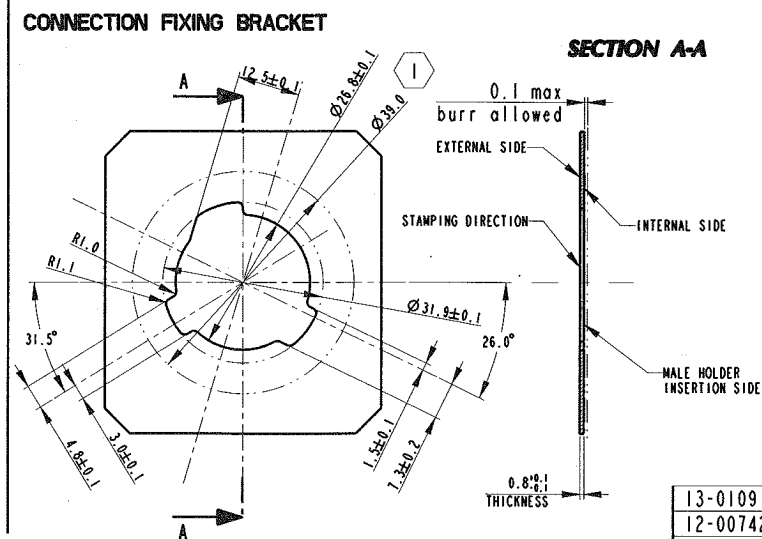
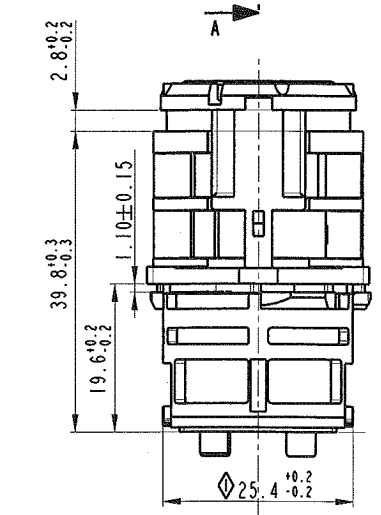
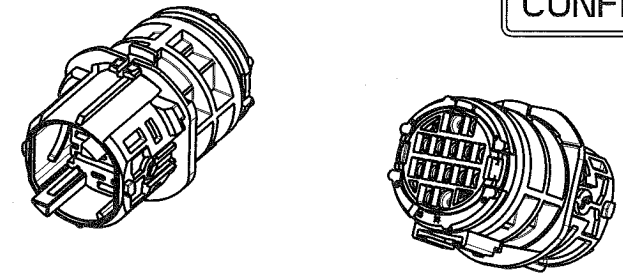
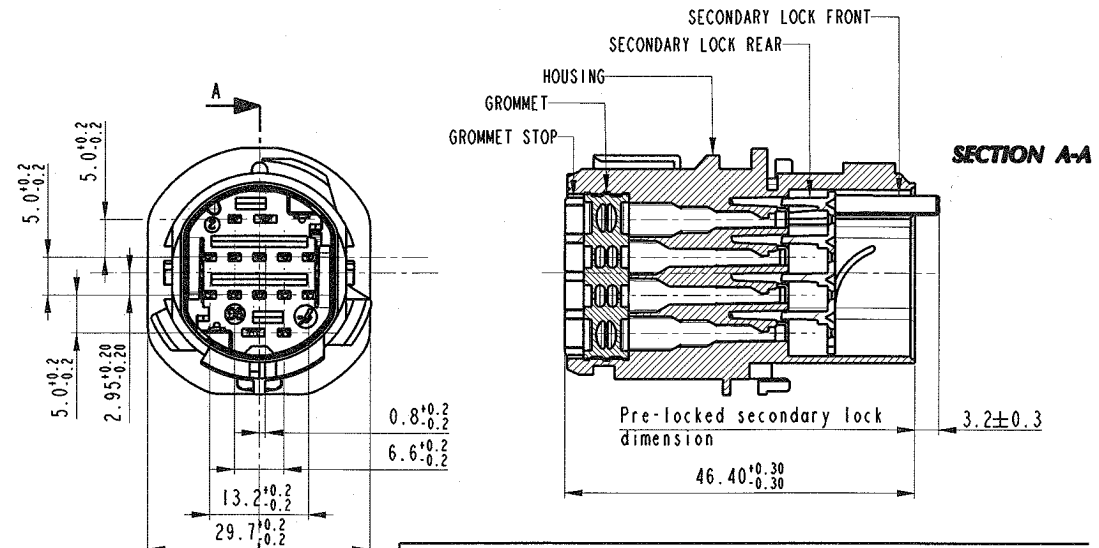
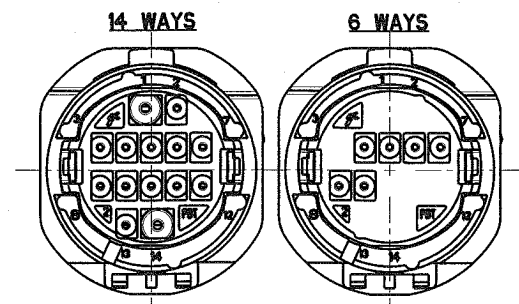


STRICTLY CONFIDENTIAL



ASSEMBLY MALE HOLDER			
LAY OUT	6 WAY	14 WAY	
P/N	F160410	DTBMHPE14BKSV	
REV.	A	A	
CLOSED CAVITIES	1, 2, 3, 10, 11, 12, 13, 14	--	
HOUSING	GREEN	GREEN	PA66 GF15
SECONDARY LOCK FRONT	WHITE	WHITE	PBT GF10
SECONDARY LOCK REAR	WHITE	WHITE	PBT GF10
GROMMET STOP	RED	BLUE	PBT NATURAL
GROMMET	YELLOW	RED	SILICON RUBBER
COMPONENT	COLOUR		MATERIAL



- This connector is designed for the following male contacts :
 211 CL 2S 1120
 211 CL 2S 2120
 211 CL 2S 1160
 211 CL 2S 2160
 17062100
 17062110

◇ CAPABILITY
 ⓘ Clearance area for External Gasket position

13-01091	08-10-2013	D	Updated dimension	
12-00742	18/05/12	C	Removed terminal PN 17062120	G.B.D.T. M.C.
12-00523	16/04/12	B	Added p/n F160410; updated p/n table	D.T. M.C.
12-00315	07-03-2012	A	Changed Contacts P/Ns and Updated Frame	F.G. M.C.
ECH. NO. NUMERO - ECH	DATE DD / MM / YY DATA	REVISION REVISIONE	POSITION POSIZIONE	CHANGE DESCRIPTION DESCRIZIONE MODIFICA
PRODUCT SPEC. SPEC. DI PRODOTTO	IPSI70	PACKAGING SPEC. SPEC. DI IMBALLAGGIO	IPSI274	APPLICATION SPEC. SPEC. DI APPLICAZIONE
TOLERANCES TOLLERANZE ± 0.3 mm / ± 0.1" SURFACE FINISH FINITURA SUPERFICIALE MATERIAL : MATERIALE : COLOUR : COLORE : SEE TABLE TOOL NO. : DO NOT SCALE DRAWING DISEGNO FUORI SCALA DATE DATA NAME NONE TITLE DESCRIZIONE DRAWN BY DISEGNATORE: 16-04-04 F. Girard CHECKED BY CONTROLLATO: APPROVED BY APPROVATO: 16-04-04 M. Colombo ESR NO. NUMERO ESR EU - CAT. NO. NUMERO CAT. SEE TABLE FILE NAME FSC309263_PM SCALE SCALA 1:1				
DELPHI PACKARD ELECTRICAL/ELECTRONIC ARCHITECTURE TORINO, ITALY DIMENSION IN MILLIMETERS (INCHES) / IN MILLIMETRI ISO PROJECTION PROIEZIONE ISO DRAWING NUMBER NUMERO DISEGNO FSC 309263			CAD SYSTEM pro / eaq. DWG SIZE FORMAT A3 SHEET FOGLIO 1/1	

X-ON Electronics

Largest Supplier of Electrical and Electronic Components

Click to view similar products for [Automotive Connectors](#) category:

Click to view products by [APTIV](#) manufacturer:

Other Similar products are found below :

[003-018-000](#) [60403001](#) [60993906-B](#) [629515004020001](#) [M902-2131](#) [M902-2161](#) [72.330.1035.1](#) [73.353.4028.0](#) [F119300-B](#) [F166900](#)
[F258300-B](#) [F358300-B](#) [F407400](#) [F444110](#) [F487000](#) [F509500B-B](#) [827153-1](#) [8N1515-32-24P](#) [9-1326729-8](#) [925474-1](#) [928905-1](#) [964562-4](#)
[968782-1](#) [GT17SA-8DS-HU](#) [98891-1012](#) [98947-1016](#) [12004475-L](#) [12010290](#) [12010309-B](#) [12015454](#) [12020219-B](#) [12020308](#) [12041318-B](#)
[12052225-L](#) [12052466](#) [12059125](#) [12064869](#) [12004327-B](#) [12010503-B](#) [12015308](#) [12015384](#) [12015909](#) [1-21030-1](#) [12041254](#) [12041318](#)
[12047946-B](#) [12047957](#) [12047957-L](#) [12059473](#) [12066261](#)