

NOTE 1 :
 - The connector is designed for the male contacts: Sicma 2/3 1.5 x 0.8 mm.
 Sicma 2 2.8 x 0.8 mm.

NOTE 2 :
 - The configuration 2.3.4.5.6 of this connector can be supplied with different grommet shapes. (View "X" shows the alternative shape).
 - Same dimensions valid for all version.
 - Completed by the contacts it can be mated with the relative female holder 34 ways : DTBFHPE34BXXXX
 - For use and mating operation : see spec. IPS 160

RELEASED FOR PRODUCTION

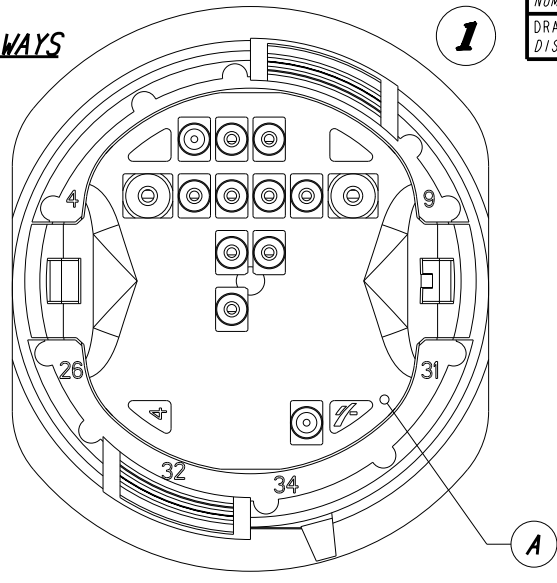
14-07742	30/10/14	A	-	DELPHI P/N ADDED			S.N	F.G	M.C	
ECN-NO. NUMERO -ECN	DATE DD/ MM / YY DATA	REVISION REVISIONE	POSITION POSIZIONE	CHANGE DESCRIPTION DESCRIZIONE MODIFICA			DRAWN BY DISEGNATORE	CHK. BY CONTROLLATO	APPR. BY APPROVATO	
PRODUCT SPEC. SPEC. DI PRODOTTO	PACKAGING SPEC. SPEC. DI IMBALLAGGIO	APPLICATION SPEC. SPEC. DI APPLICAZIONE	COPYRIGHT DELPHI CORPORATION AND/OR ITS AFFILIATES. ALL RIGHTS RESERVED. REVISED THIS DRAWING IS THE PROPERTY OF DELPHI CORPORATION. THE REPRODUCTION, DISTRIBUTION AND UTILIZATION OF THIS DOCUMENT OR ITS RELATED CAD MATH DATA, AS WELL AS COMMUNICATION OF ANY CONTENT TO OTHERS, WITHOUT EXPRESS AUTHORIZATION IS PROHIBITED.						CAD SYSTEM	
TOLERANCES TOLLERANZE		MATERIAL : MATERIALE :	SURFACE FINISH FINITURA SUPERFICIALE		DELPHI DELPHI PACKARD ELECTRICAL/ELECTRONIC ARCHITECTURE TORINO, ITALY			pro / eng.		
COUNTERPART Nr. CONTROPARTE Nr.		COLOUR : COLORE :	TOOL NO.		LOC. CODE NAZIONALITA' IT		C	ISO PROJECTION PROIEZIONE ISO	DIMENSION IN MILLIMETERS DIMENSIONI IN MILLIMETRI	DWG SIZE FORMATO A4
DO NOT SCALE DRAWING DISEGNO FUORI SCALA			DRAWING NUMBER NUMERO DISEGNO			SHEET FOGLIO				
DRAWN BY DISEGNATORE	DATE DATA	NAME NOME	TITLE DESCRIZIONE			FILE NAME NOME FILE			SHEET FOGLIO	
10/11/03			DOOR TO BODY -- WAYS ASSY MALE HOLDER			FSA309025			1 of 1 di 3	
CHECKED BY CONTROLLATO			ESR NO. NUMERO ESR			CAT. NO. NUMERO CAT.			SCALE SCALA	
APPROVED BY APPROVATO			See sheet 2 of 3 and 3 of 3			-			---	

DRAWING NUMBER FSA309025 REVISION A SHEET 213 APPROVAL LEVEL
 NUMERO DISEGNO REVISIONE A FOGLIO 213 LIV. DI APPROVAZIONE

DRAWING DISEGNO C

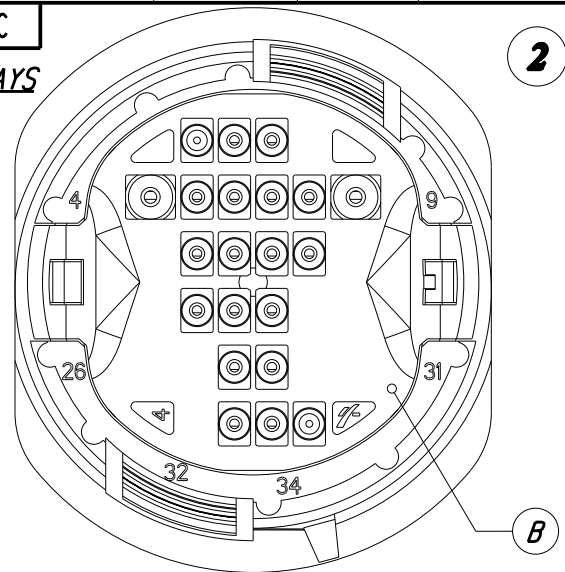
9+2 WAYS

1



17+2 WAYS

2

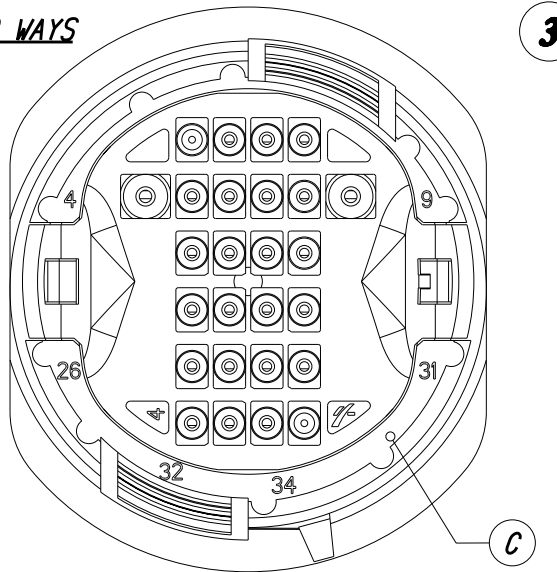


DELPHI P/N	10776508
MVL P/N	DTBMHPE34BK092A
OPEN CAVITIES	1-2-4-5-6-7-8-9-13-14-21

DELPHI P/N	10776507
MVL P/N	DTBMHPE34BK172A
OPEN CAVITIES	1-2-4-5-6-7-8-9-12-13-14-15 20-21-22-28-29-33-34

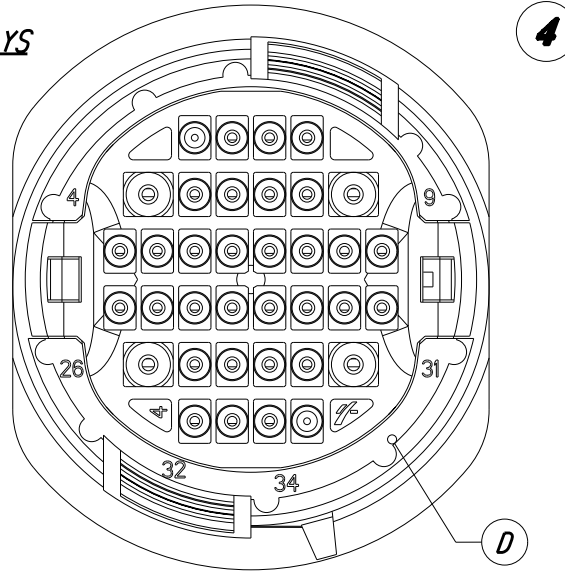
22+2 WAYS

3



34 WAYS

4



DELPHI P/N	13593616
MVL P/N	DTBMHPE34BK222A
OPEN CAVITIES	1-2-3-4-5-6-7-8-9-12-13-14-15-20 21-22-23-27-28-29-30-32-33-34

DELPHI P/N	15368860
MVL P/N	DTBMHPE34BK
OPEN CAVITIES	ALL

NOTE 3 :

The above products are different because of the different grommets stop (See table below)

A	DTBMHPE11GRCD
B	DTBMHPE19GYCD
C	DTBMHPE24BLCD
D	DTBMHPE34BKCD

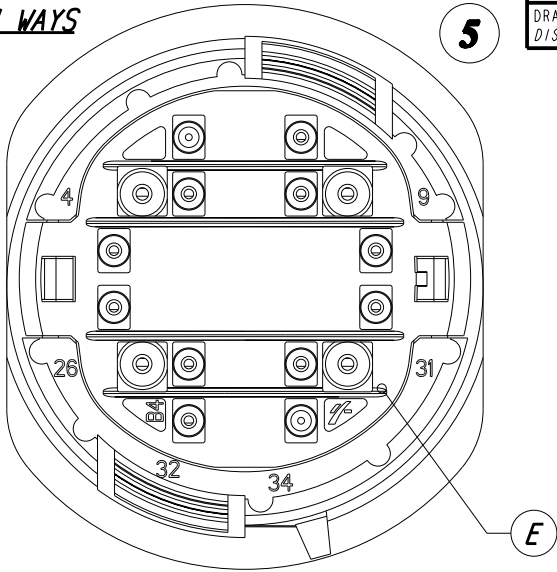
RELEASED FOR PRODUCTION

14-07742	30/10/14	A	-	DELPHI P/N ADDED	S.N F.G M.C		
ECN-NO. NUMERO -ECN	DATE DD/ MM / YY DATA	REVISION REVISIONE	POSITION POSIZIONE	CHANGE DESCRIPTION DESCRIZIONE MODIFICA	DRAWN BY DISEGNATORE	CHK. BY CONTROLLATO	APPR. BY APPROVATO
PRODUCT SPEC. SPEC. DI PRODOTTO	PACKAGING SPEC. SPEC. DI IMBALLAGGIO	APPLICATION SPEC. SPEC. DI APPLICAZIONE	COPYRIGHT DELPHI CORPORATION AND/OR ITS AFFILIATES. ALL RIGHTS RESERVED. REVISED THIS DRAWING IS THE PROPERTY OF DELPHI CORPORATION. THE REPRODUCTION, DISTRIBUTION AND UTILIZATION OF THIS DOCUMENT OR ITS RELATED CAD MATH DATA, AS WELL AS COMMUNICATION OF ANY CONTENT TO OTHERS, WITHOUT EXPRESS AUTHORIZATION IS PROHIBITED.			QUESTO DISEGNO E' PROPRIETA' DI DELPHI CORPORATION E CONTIENE INFORMAZIONI CONFIDENZIALI. LA RIPRODUZIONE, DISTRIBUZIONE E UTILIZZAZIONE DI QUESTO DOCUMENTO O DELLE SUE RELATIVE MATEMATICHE CAD, NONCHE LA COMUNICAZIONE DI QUALSIASI CONTENUTO AD ALTRI, SENZA ESPLICITA AUTORIZZAZIONE, E' PROIBITA	
TOLERANCES TOLLERANZE	MATERIAL : MATERIALE :	SURFACE FINISH FINITURA SUPERFICIALE		DELPHI DELPHI PACKARD ELECTRICAL/ELECTRONIC ARCHITECTURE TORINO, ITALY		CAD SYSTEM	
COUNTERPART Nr. CONTROPARTE Nr.	COLOUR : COLORE :	-				pro / eng.	
DO NOT SCALE DRAWING DISEGNO FUORI SCALA	TOOL NO.	-				DIMENSION IN MILLIMETERS DIMENSIONI IN MILLIMETRI	
DRAWN BY DISEGNATORE	DATE DATA	TITLE DESCRIZIONE		DRAWING NUMBER NUMERO DISEGNO		SHEET FOGLIO	
CHECKED BY CONTROLLATO	10/11/03	DOOR TO BODY -- WAYS ASSY MALE HOLDER		FSA309025		2 of 3 di	
APPROVED BY APPROVATO		ESR NO. NUMERO ESR	CAT. NO. NUMERO CAT.	FILE NAME NOME FILE		SCALE SCALA	
		-	See table	-		---	

DRAWING DISEGNO	C
--------------------	----------

10+4 WAYS

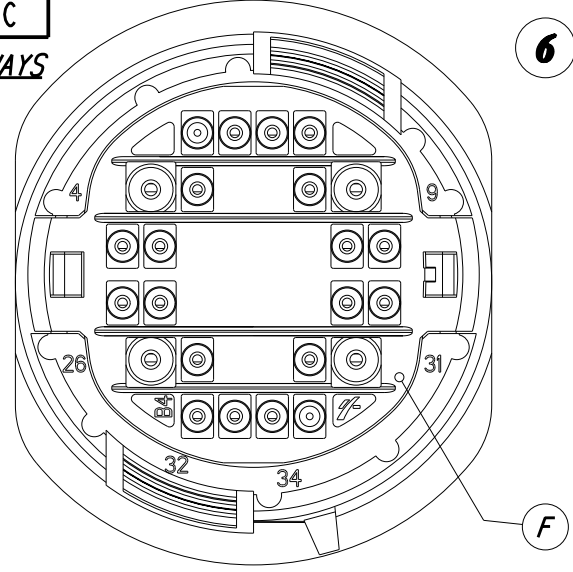
5



DELPHI P/N	13541041
MVL P/N	DTBMHPE34BK104A
OPEN CAVITIES	3-4-5-8-9-10-17-18-25 26-27-30-31-32

18+4 WAYS

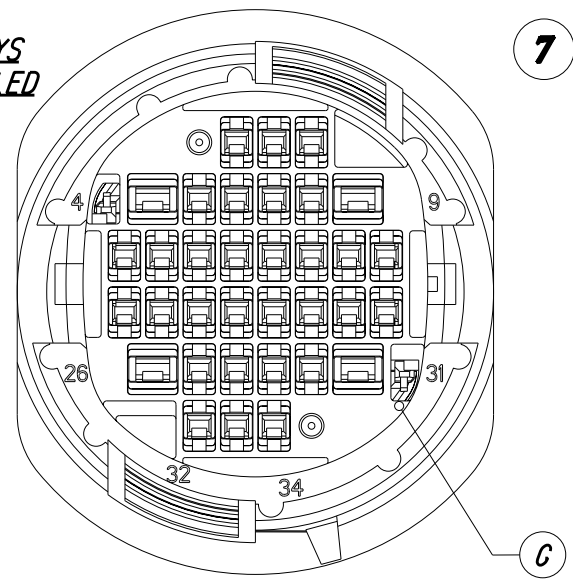
6



DELPHI P/N	13541040
MVL P/N	DTBMHPE34BK184A
OPEN CAVITIES	1-2-3-4-5-8-9-10-11-16-17-18-19 24-25-26-27-30-31-32-33-34

**34 WAYS
UNSEALED**

7



DELPHI P/N	13830915
MVL P/N	DTBMHPE34BKUS
OPEN CAVITIES	ALL UNSEALED VERSION

NOTE 4:

- The above products are different because of the different grommets stop (See table below)

E	211PLPE1040RCDB
F	211PLPE184BNCDB
G	WITHOUT

RELEASED FOR PRODUCTION

14-07742	30/10/14	A	-	DELPHI P/N ADDED			S.N F.G M.C		
ECN-NO. NUMERO -ECN	DATE DATA DD / MM / YY	REVISION REVISIONE	POSITION POSIZIONE	CHANGE DESCRIPTION DESCRIZIONE MODIFICA			DRAWN BY DISEGNATORE	CHK. BY CONTROLLATO	APPR. BY APPROVATO
PRODUCT SPEC. SPEC. DI PRODOTTO	PACKAGING SPEC. SPEC. DI IMBALLAGGIO	APPLICATION SPEC. SPEC. DI APPLICAZIONE	COPYRIGHT DELPHI CORPORATION AND/OR ITS AFFILIATES. ALL RIGHTS RESERVED. REVISED THIS DRAWING IS THE PROPERTY OF DELPHI CORPORATION. THE REPRODUCTION, DISTRIBUTION AND UTILIZATION OF THIS DOCUMENT OR ITS RELATED CAD MATH DATA, AS WELL AS COMMUNICATION OF ANY CONTENT TO OTHERS, WITHOUT EXPRESS AUTHORIZATION IS PROHIBITED.						
TOLERANCES TOLLERANZE	MATERIAL : MATERIALE :		SURFACE FINISH FINITURA SUPERFICIALE		DELPHI DELPHI PACKARD ELECTRICAL/ELECTRONIC ARCHITECTURE TORINO, ITALY		CAD SYSTEM pro / eng.		
COUNTERPART Nr. CONTROPARTE Nr.	COLOUR : COLORE :		-		C		DWG SIZE FORMATO		
DO NOT SCALE DRAWING DISEGNO FUORI SCALA	TOOL NO.		-		ISO PROJECTION PROIEZIONE ISO		DIMENSION IN MILLIMETERS DIMENSIONI IN MILLIMETRI		
DATE DATA	NAME NOME	TITLE DESCRIZIONE			DRAWING NUMBER NUMERO DISEGNO		SHEET FOGLIO		
10/11/03		DOOR TO BODY -- WAYS ASSY MALE HOLDER			FSA 309025		3 of 3 di		
DRAWN BY DISEGNATORE		ESR NO. NUMERO ESR	EU -	CAT. NO. NUMERO CAT.	See table		SCALE SCALA		
CHECKED BY CONTROLLATO							---		
APPROVED BY APPROVATO									

X-ON Electronics

Largest Supplier of Electrical and Electronic Components

Click to view similar products for [Automotive Connectors](#) category:

Click to view products by [APTIV](#) manufacturer:

Other Similar products are found below :

[003-018-000](#) [60403001](#) [60993906-B](#) [629515004020001](#) [M902-2131](#) [M902-2161](#) [72.330.1035.1](#) [73.353.4028.0](#) [F119300-B](#) [F166900](#)
[F258300-B](#) [F358300-B](#) [F407400](#) [F444110](#) [F487000](#) [F509500B-B](#) [827153-1](#) [8N1515-32-24P](#) [9-1326729-8](#) [925474-1](#) [928905-1](#) [964562-4](#)
[968782-1](#) [GT17SA-8DS-HU](#) [98891-1012](#) [98947-1016](#) [12004475-L](#) [12010290](#) [12010309-B](#) [12015454](#) [12020219-B](#) [12020308](#) [12041318-B](#)
[12052225-L](#) [12052466](#) [12059125](#) [12064869](#) [12004327-B](#) [12010503-B](#) [12015308](#) [12015384](#) [12015909](#) [1-21030-1](#) [12041254](#) [12041318](#)
[12047946-B](#) [12047957](#) [12047957-L](#) [12059473](#) [12066261](#)