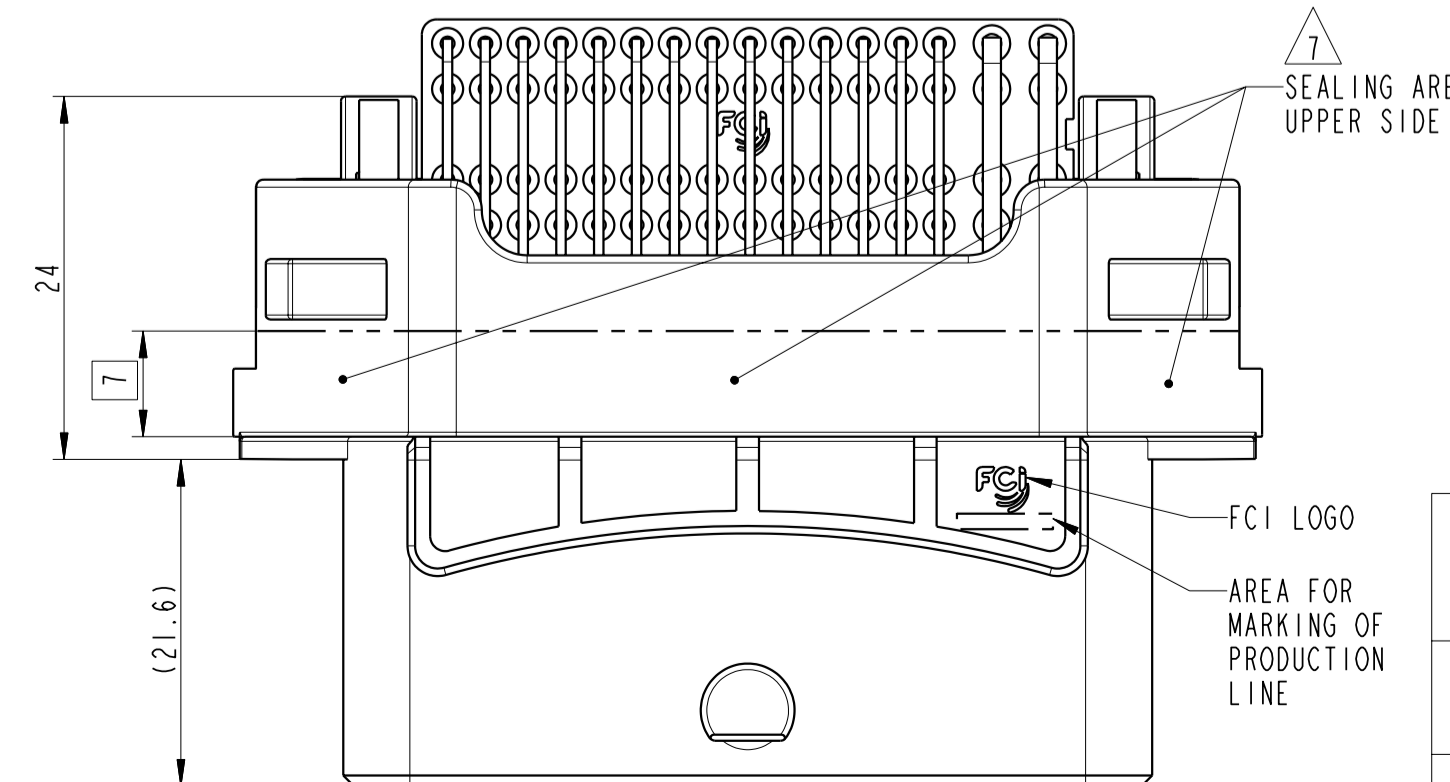
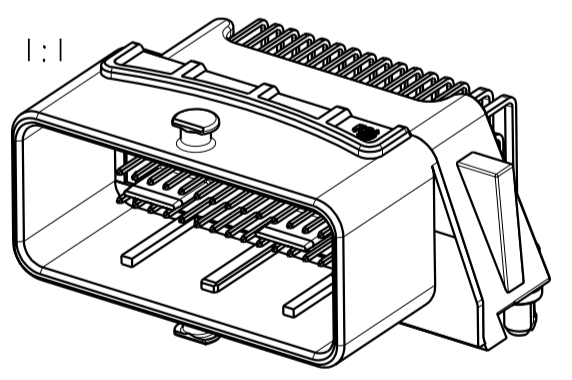
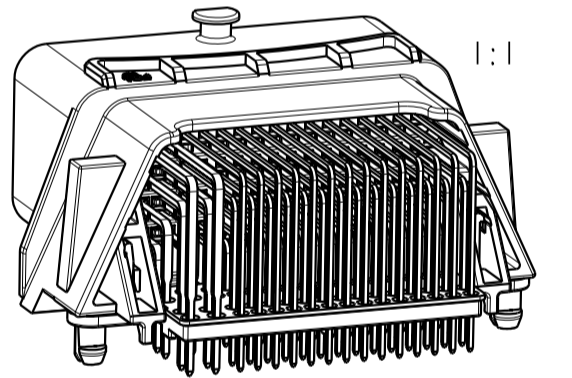
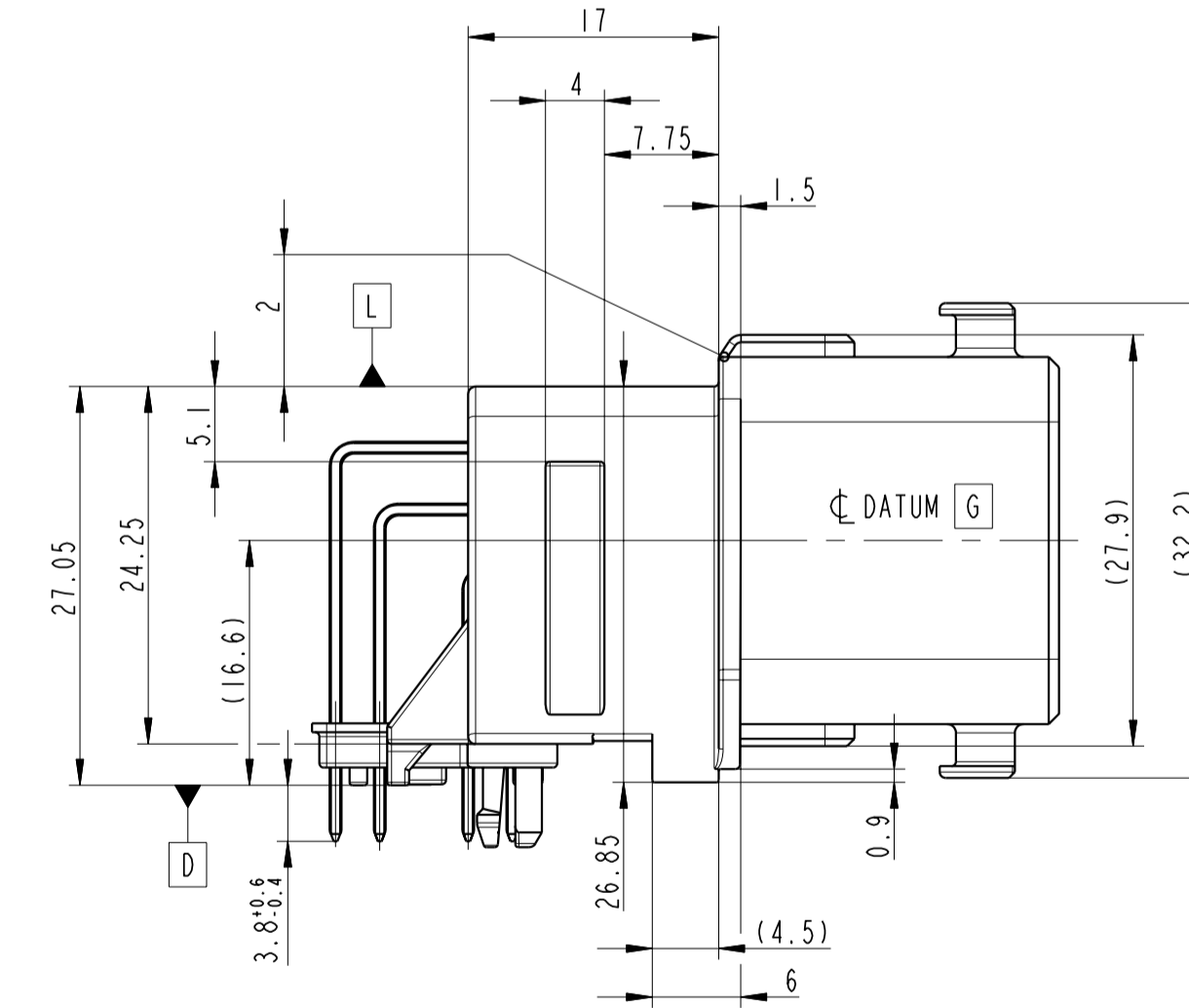
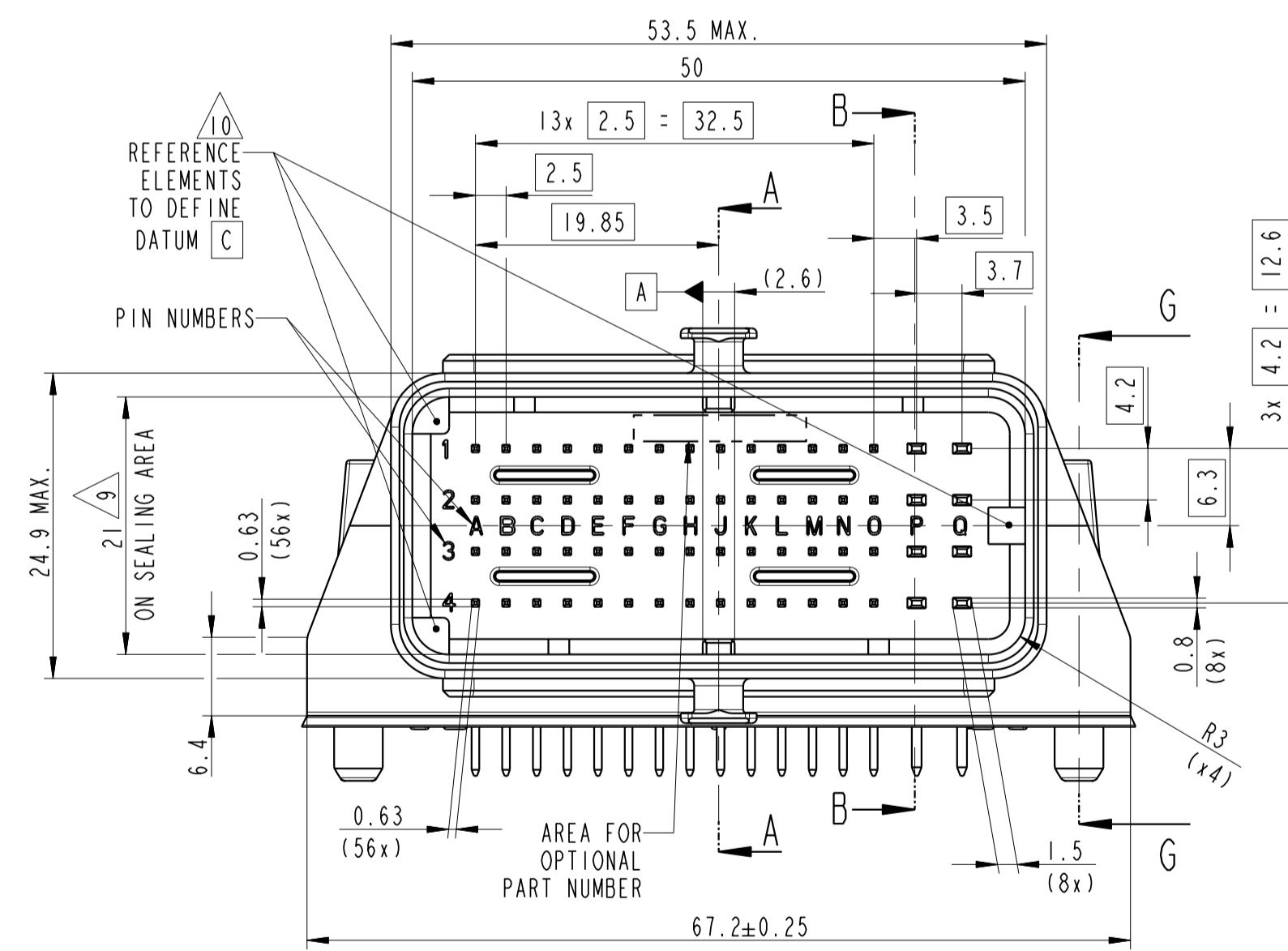
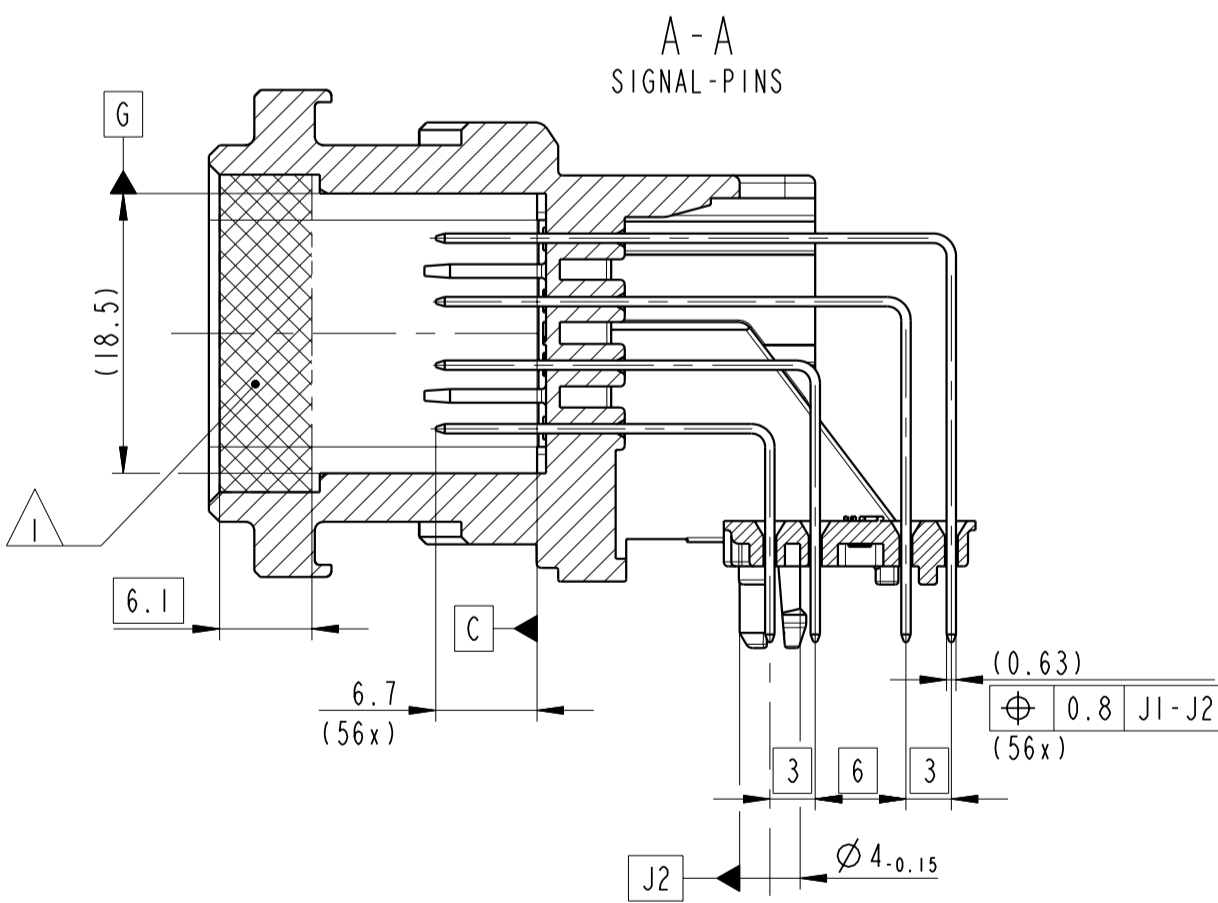
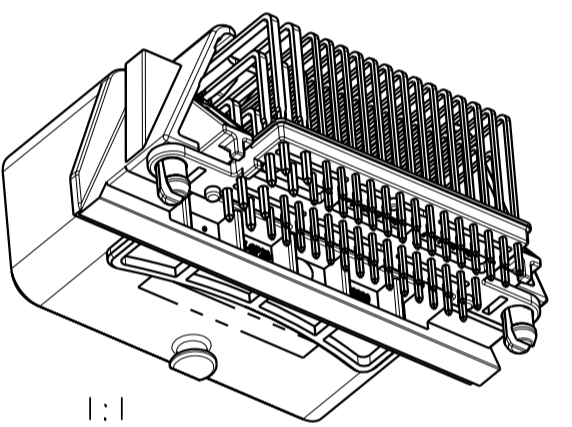
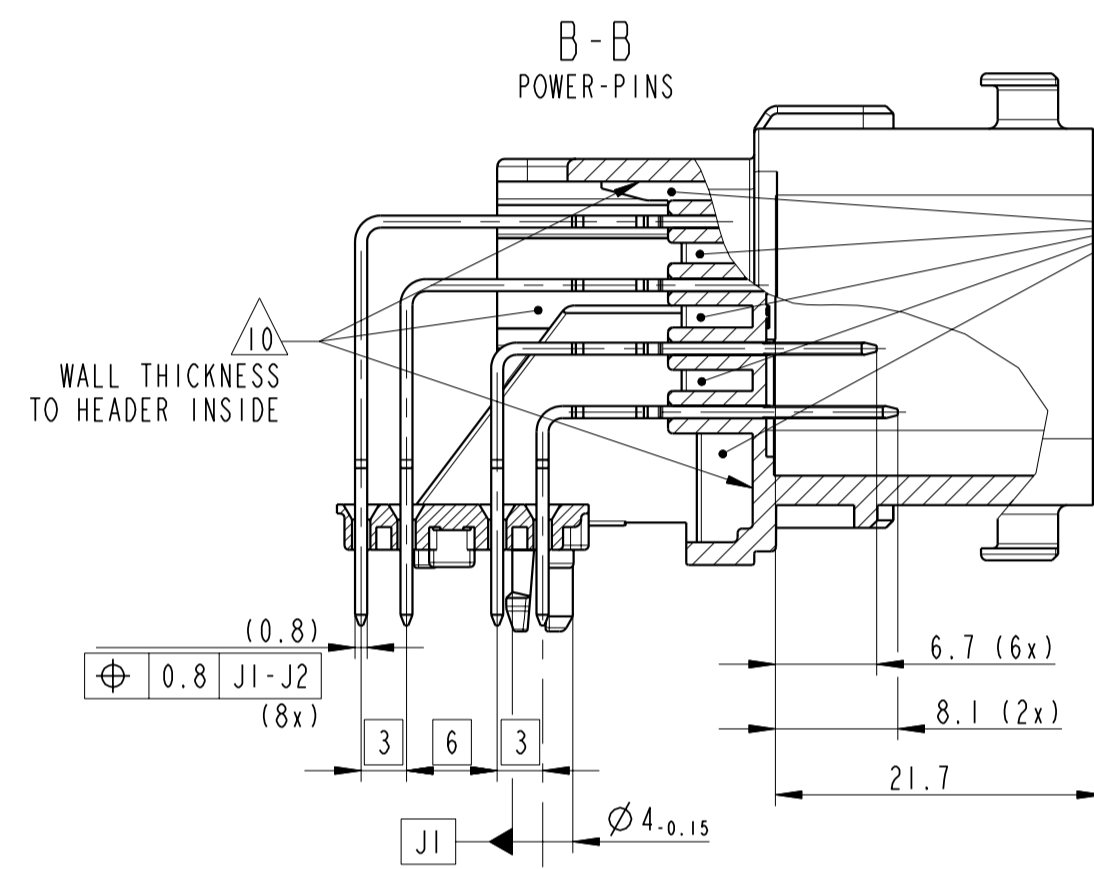
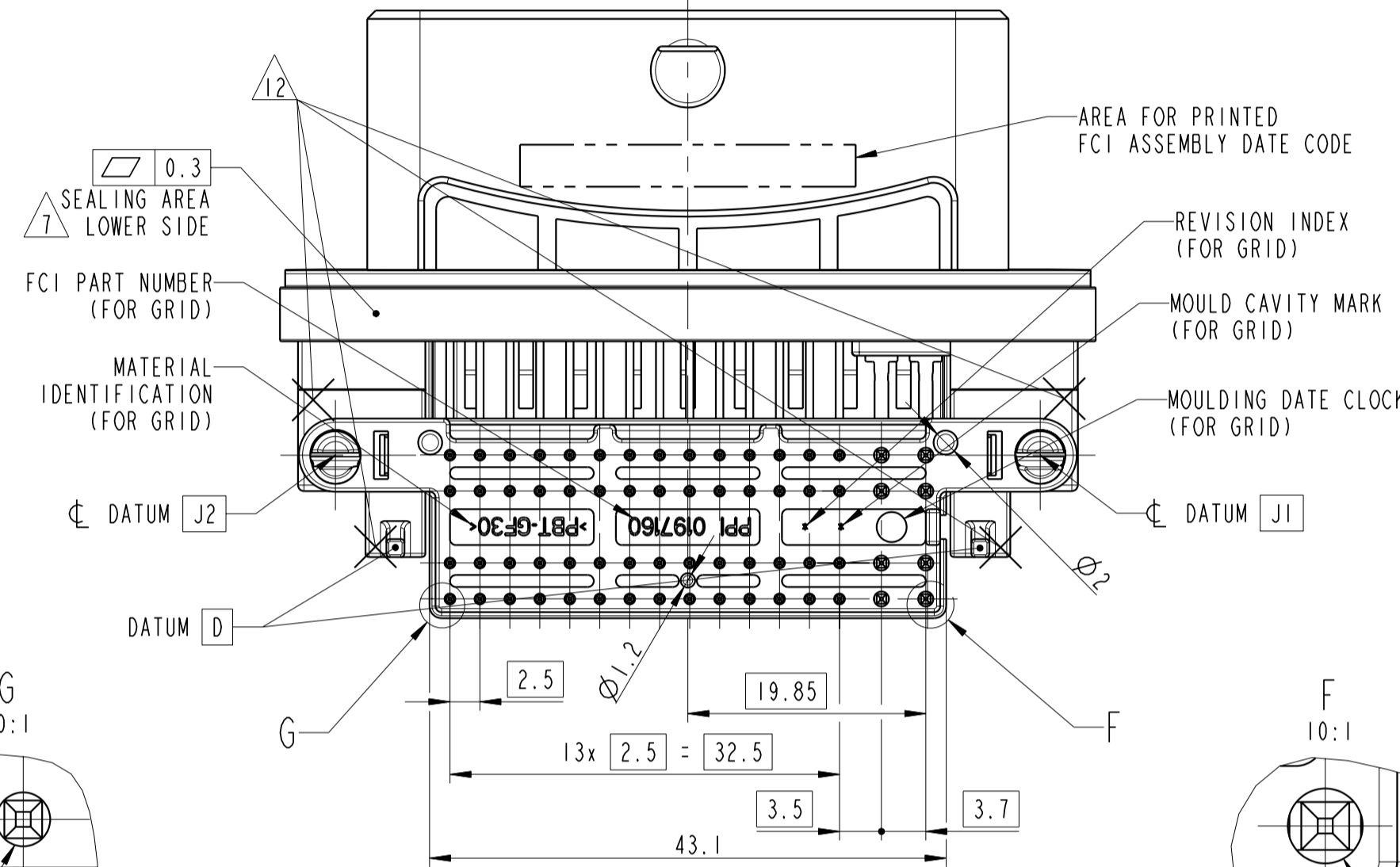
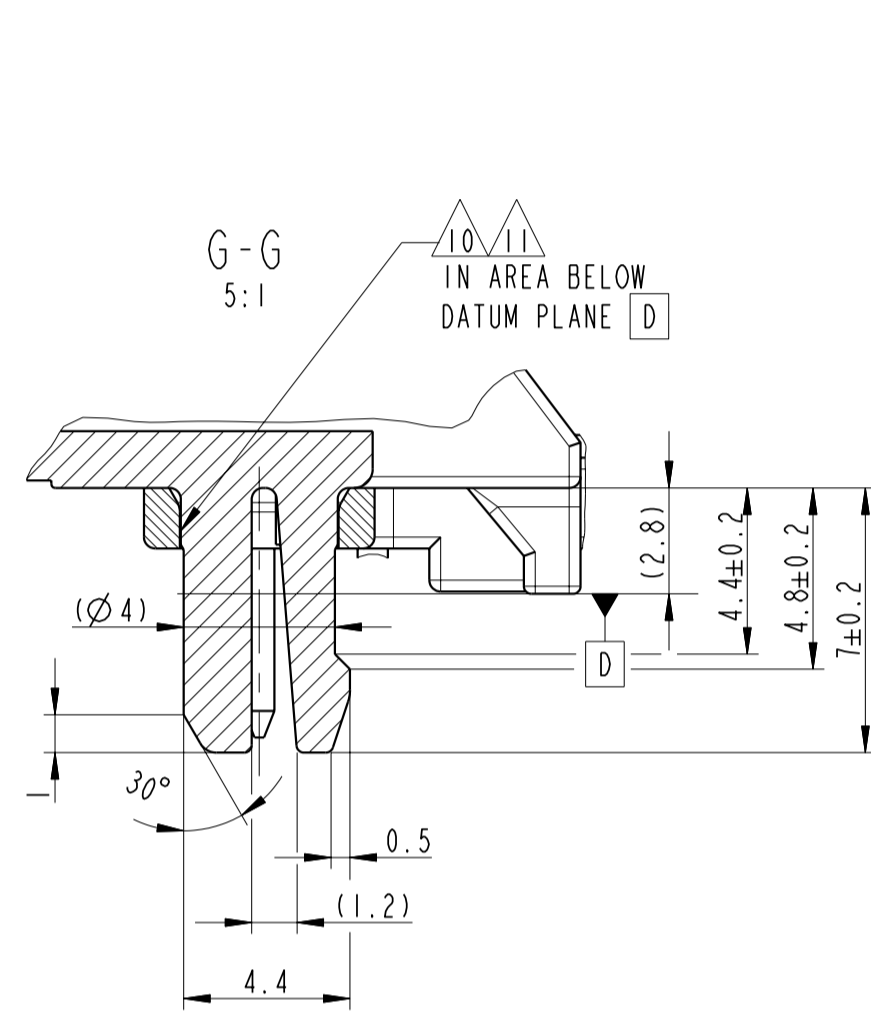


- Notes:
- Interface Sealing area around Ra 1.6 - no flash permitted
 - Material Signal-Pins and Power-Pins: CuZn30
 - Plating Power-Pins: pre-plating: 1 - 2.5 μm Ni; soldering area: 3 - 5 μm Sn (lead-free); contact area: 1 - 3 μm Sn (lead-free)
 - Plating Signal-Pins: 1 - 3 μm Sn (lead-free) over 1 - 2.5 μm Ni
 - Plastic part (housing): PBT GF30, black; Centering plate (grid): PBT GF30, black
 - Tolerances of form, orientation, location and run-out according to DIN EN ISO 1101; tolerancing according to DIN ISO 8015
 - Part must be free of foreign materials (mould release agents, lubricants) which would inhibit bonding to an adhesive
 - Max. flash 0.2 mm allowed, if not otherwise specified
 - Additional warping allowed in the center: -0.2 mm
 - Detailed design is free to the choice of FCI
 - Feature is specific for part number F015300 only
 - Reference points for part orientation prior to measurement of pins on PCB side (length and true-position)



F932300	A	PPI0001500 (lever version "left")	I	black (no colour marking on header)	PPI0001526 (fits both lever versions "left" and "right")
F015300	A	PPI0001501; (lever version "right")			
FCI part number (Header)	FCI part revision index	FCI part number for Female Housing 64w (mating harness connector)	Keying number	Colour marking for Keying	FCI part number for Cover 64w (covers the Female Housing 64w)

955/08 - INITIAL RELEASE		CHANGE DESCRIPTION	
ECCN NO. POSITION			
PRODUCT SPEC. 9 901 17 60		APPLICATION SPEC.	
PACKAGING SPEC.		MATERIAL: SEE NOTES	
WORKING SPEC.		OVERLAY: SEE NOTES	
DATE: 2008/10/06		DATE: 2008/10/06	
DESIGNED BY: Bruno BARTH		DESIGNED BY: Bruno BARTH	
CHECKED BY: Christian SCHULZ		CHECKED BY: Christian SCHULZ	
DATE: 2008/11/05		DATE: 2008/11/05	
PROJECT: 64-way header		PROJECT: 64-way header	
PROJECT: 64-way CMC header Distribution		PROJECT: 64-way CMC header Distribution	
FCS NO. EU-075160		FCS NO. EU-075160	
PART NUMBER: PCC0596894		PART NUMBER: PCC0596894	
DRAWING NUMBER: PCC0596894		DRAWING NUMBER: PCC0596894	
REV. INDEX: A		REV. INDEX: A	
SERIAL RELEASED		SERIAL RELEASED	
STATUS: PROJECT		STATUS: PROJECT	
PART NUMBER: PCC0596894		PART NUMBER: PCC0596894	
TECHNOLOGICAL INDEX: A1		TECHNOLOGICAL INDEX: A1	

X-ON Electronics

Largest Supplier of Electrical and Electronic Components

Click to view similar products for [Automotive Connectors](#) category:

Click to view products by [APTIV](#) manufacturer:

Other Similar products are found below :

[003-018-000](#) [60403001](#) [60993906-B](#) [629515004020001](#) [M902-2131](#) [M902-2161](#) [72.330.1035.1](#) [73.353.4028.0](#) [F119300-B](#) [F166900](#)
[F258300-B](#) [F358300-B](#) [F407400](#) [F444110](#) [F487000](#) [F509500B-B](#) [827153-1](#) [8N1515-32-24P](#) [9-1326729-8](#) [925474-1](#) [928905-1](#) [964562-4](#)
[968782-1](#) [GT17SA-8DS-HU](#) [98891-1012](#) [98947-1016](#) [12004475-L](#) [12010290](#) [12010309-B](#) [12015454](#) [12020219-B](#) [12020308](#) [12041318-B](#)
[12052225-L](#) [12052466](#) [12059125](#) [12064869](#) [12004327-B](#) [12010503-B](#) [12015308](#) [12015384](#) [12015909](#) [1-21030-1](#) [12041254](#) [12041318](#)
[12047946-B](#) [12047957](#) [12047957-L](#) [12059473](#) [12066261](#)