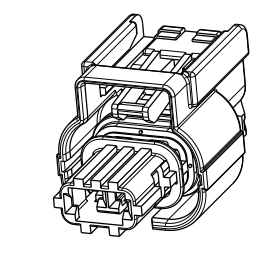
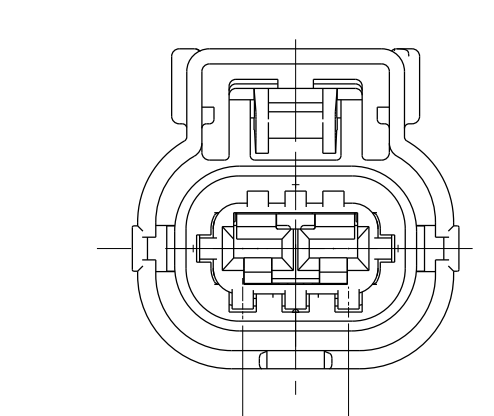


ASSEMBLY NUMBER	KEY OPTION	ITEM 1 HOUSING	ITEM 2 TPA	ITEM 3 RING SEAL	ITEM 4 CPA	
		PAGE GF35	PA66 GF35	FCI PART NUMBER	FCI PART NUMBER	FCI PART NUMBER
F019300	A	S629300	DK GREY	F645000	F646000 BURNT ORANGE	
F119300	B		DK BLUE	F436000		
TBD	C		TBD	TBD		
TBD	D		TBD	TBD		
F809800	A		DK GREY	F645000		F752210 RED
F809800	B		DK BLUE	F436000		
TBD	C		TBD	TBD		
TBD	D		YBD	TBD		

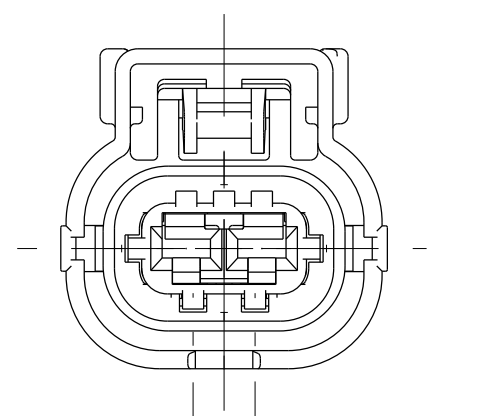
ITEM NO.	ITEM DESCRIPTION	PLATING OR COLOR	SUPPLIER	SUPPLIER COMP PART NUMBER	GRIP CODE	WIRE SIZE	WIRE INSULATION DIAMETER RANGE	MATERIAL/SPEC NO
5	2.8mm SEALED SYSTEM TERMINAL (F)	TIN	FCI	54001840	18	20-18 AWG 0.50-1.00mm ²	1.40mm-2.13mm	COPPER ALLOY / NA
	2.8mm SEALED SYSTEM TERMINAL (F)	TIN	FCI	54001432	14	16-14 AWG 1.50-2.50mm ²	2.18mm-3.00mm	COPPER ALLOY / NA
	2.8mm SEALED SYSTEM TERMINAL (F)	GOLD	FCI	54001879	18AU	20-18 AWG 0.50-1.00mm ²	1.40mm-2.13mm	COPPER ALLOY / NA
	2.8mm SEALED SYSTEM TERMINAL (F)	GOLD	FCI	54001448	14AU	16-14 AWG 1.50-2.50mm ²	2.18mm-3.00mm	COPPER ALLOY / NA
	2.8mm SEALED SYSTEM TERMINAL (F)	TIN	FCI	54001807	18	20-18 AWG 0.50-1.00mm ²	1.40mm-2.13mm	COPPER ALLOY / NA
	2.8mm SEALED SYSTEM TERMINAL (F)	TIN	FCI	54001404	14	16-14 AWG 1.50-2.50mm ²	2.18mm-3.00mm	COPPER ALLOY / NA
	2.8mm SEALED SYSTEM TERMINAL (F)	GOLD	FCI	54001811	18AU	20-18 AWG 0.50-1.00mm ²	1.40mm-2.13mm	COPPER ALLOY / NA
	2.8mm SEALED SYSTEM TERMINAL (F)	GOLD	FCI	54001410	14AU	16-14 AWG 1.50-2.50mm ²	2.18mm-3.00mm	COPPER ALLOY / NA
6	2.80mm SYSTEM CABLE SEAL ROUND	GREEN	FCI (QSR)	F676000	-	20-18 AWG 0.50-1.00mm ²	1.40mm-2.13mm	SILICONE
	2.80mm SYSTEM CABLE SEAL ROUND	BLUE	FCI (QSR)	F576000	-	16-14 AWG 1.50-2.0mm ²	2.18mm-2.80mm	SILICONE
	2.80mm SYSTEM CABLE SEAL ROUND	YELLOW	FCI	60994034	-	2.5mm ²	2.70mm-3.00mm	SILICONE
7	2.80mm SYSTEM CAVITY PLUG ROUND	WHITE	DELPHI	15305170	-	-	-	SILICONE



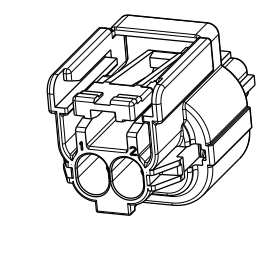
SCALE 1:1



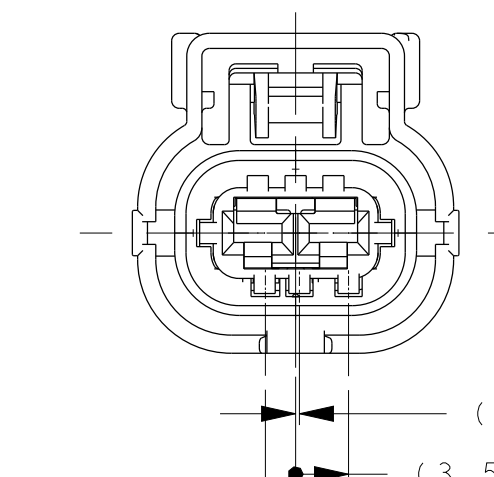
KEY A



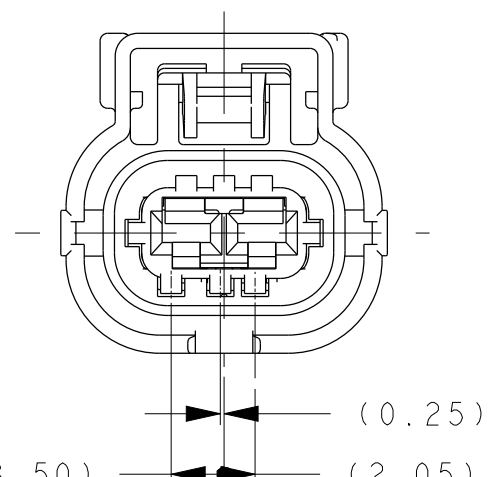
KEY B



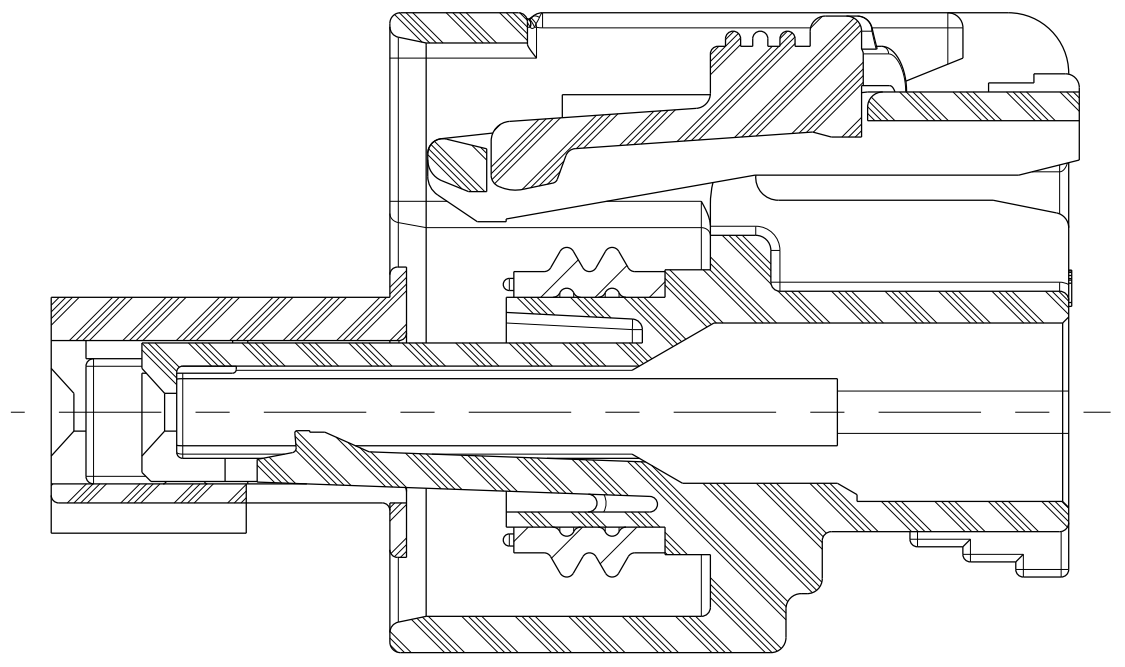
SCALE 1:1



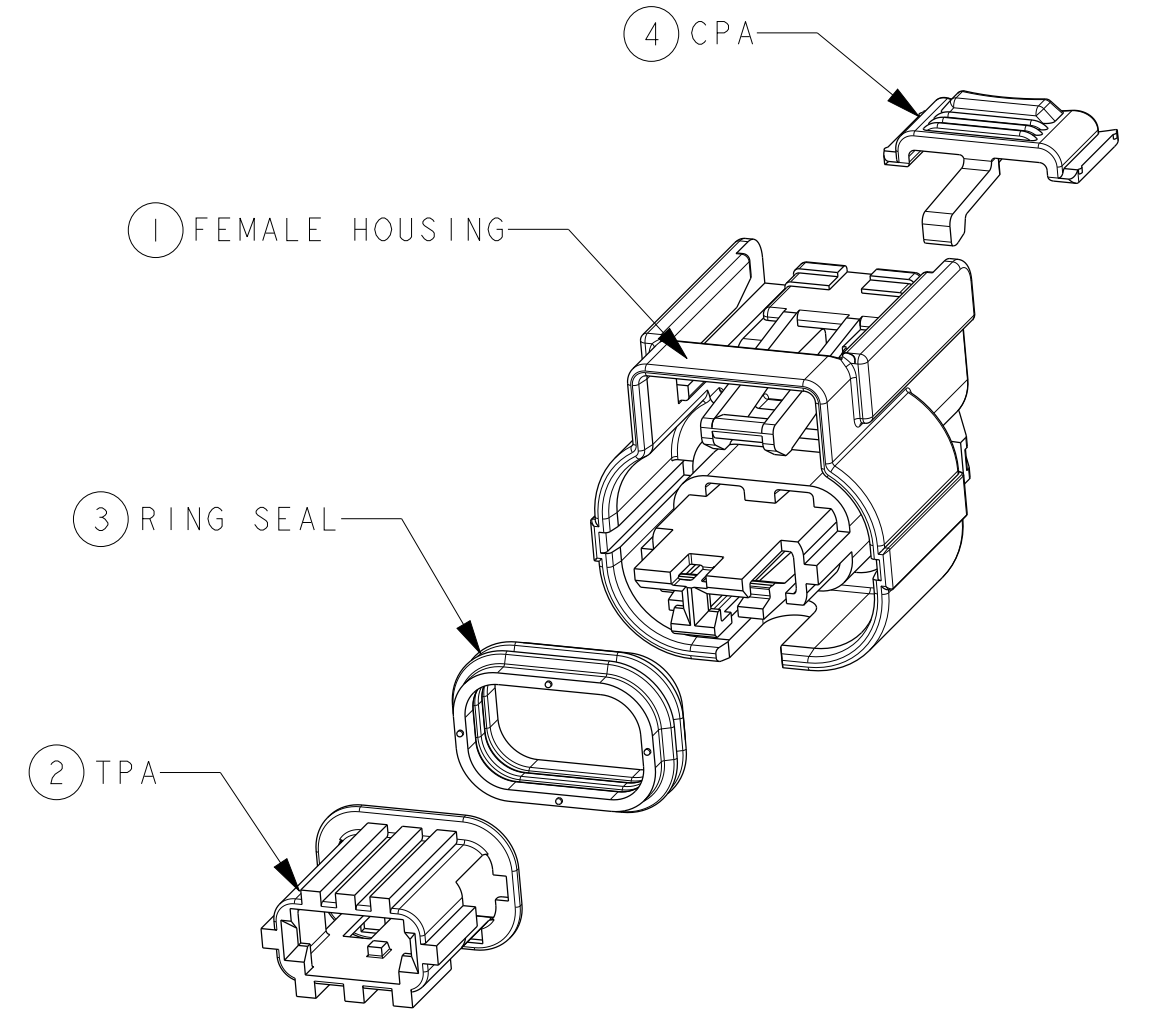
KEY C



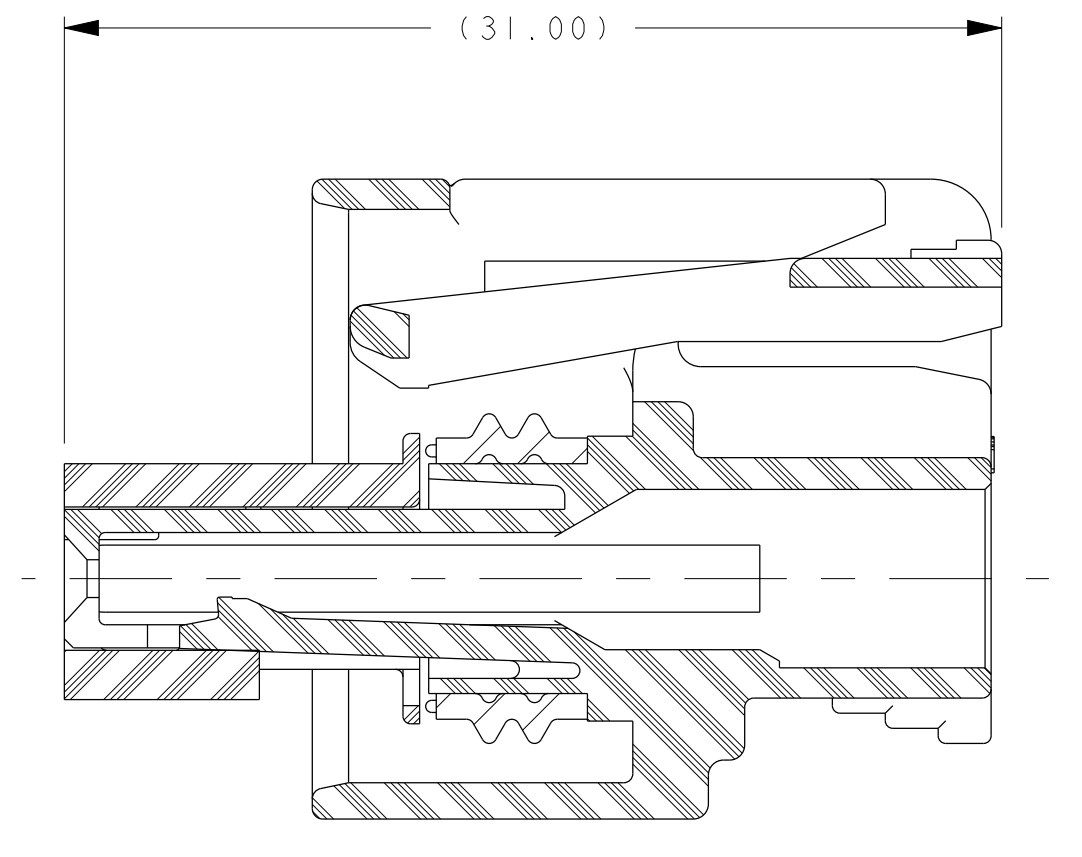
KEY D



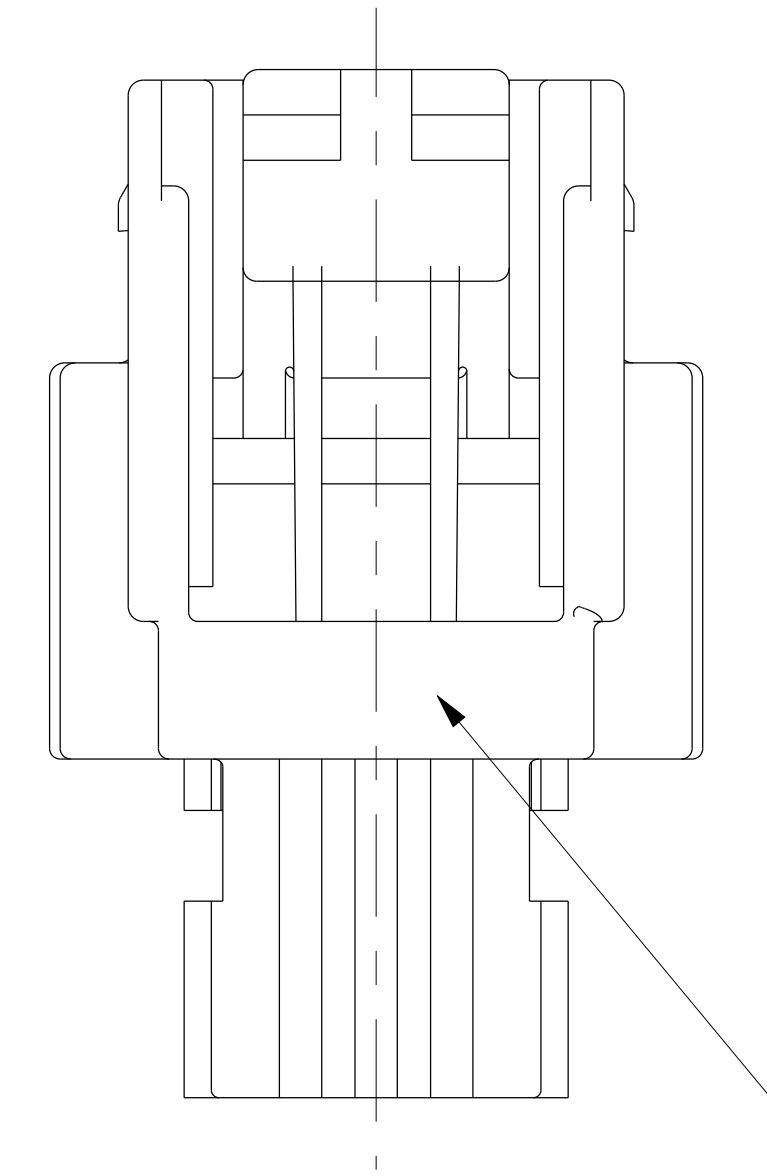
SECTION A-A
SHOWN WITH OPTIONAL CPA



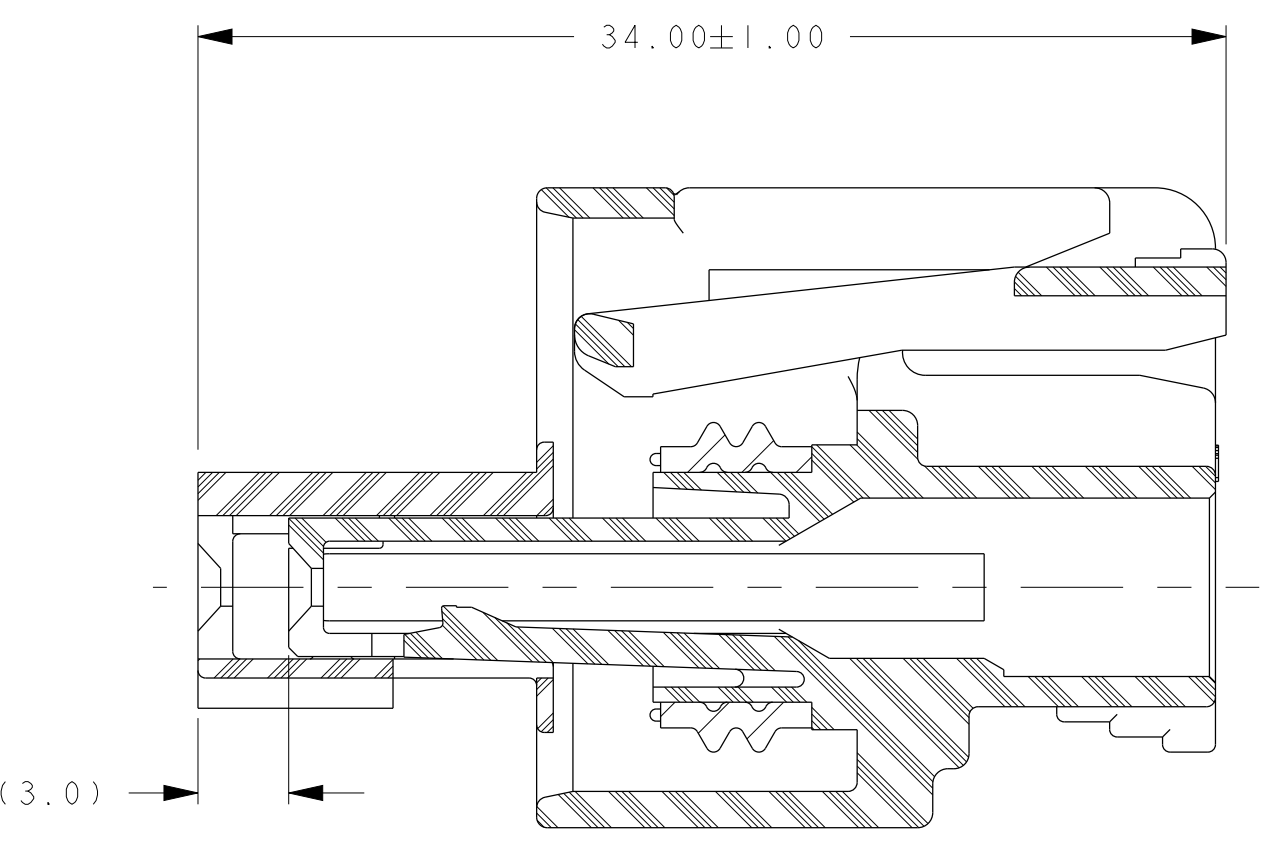
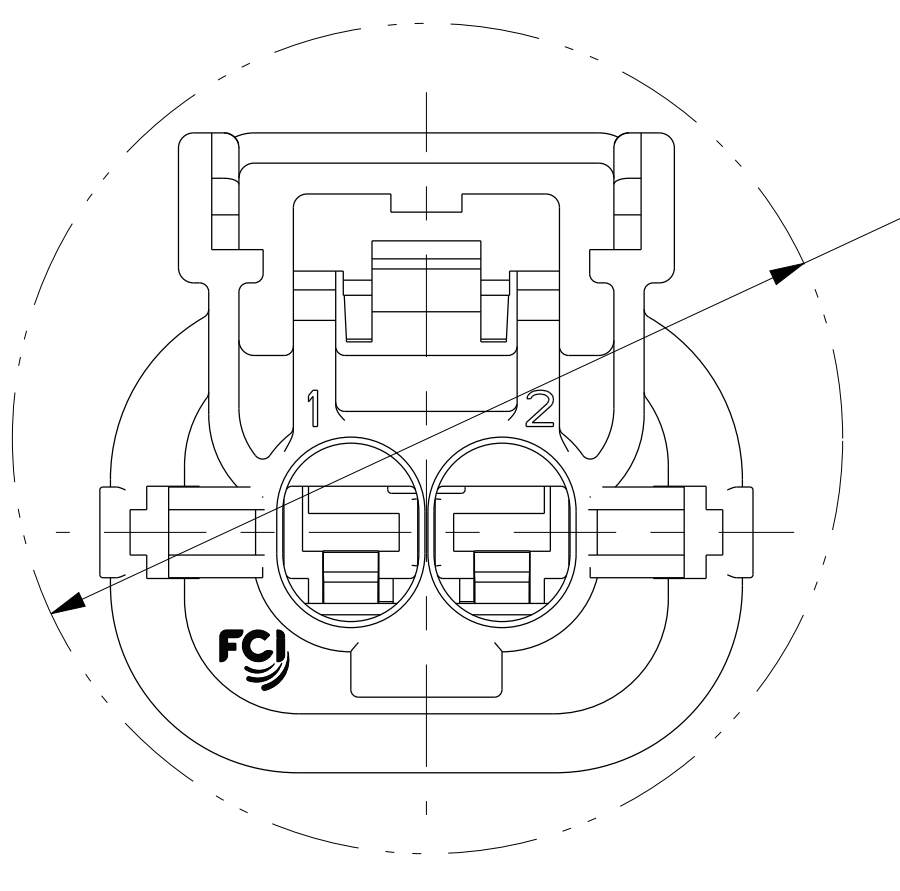
SCALE 2:000



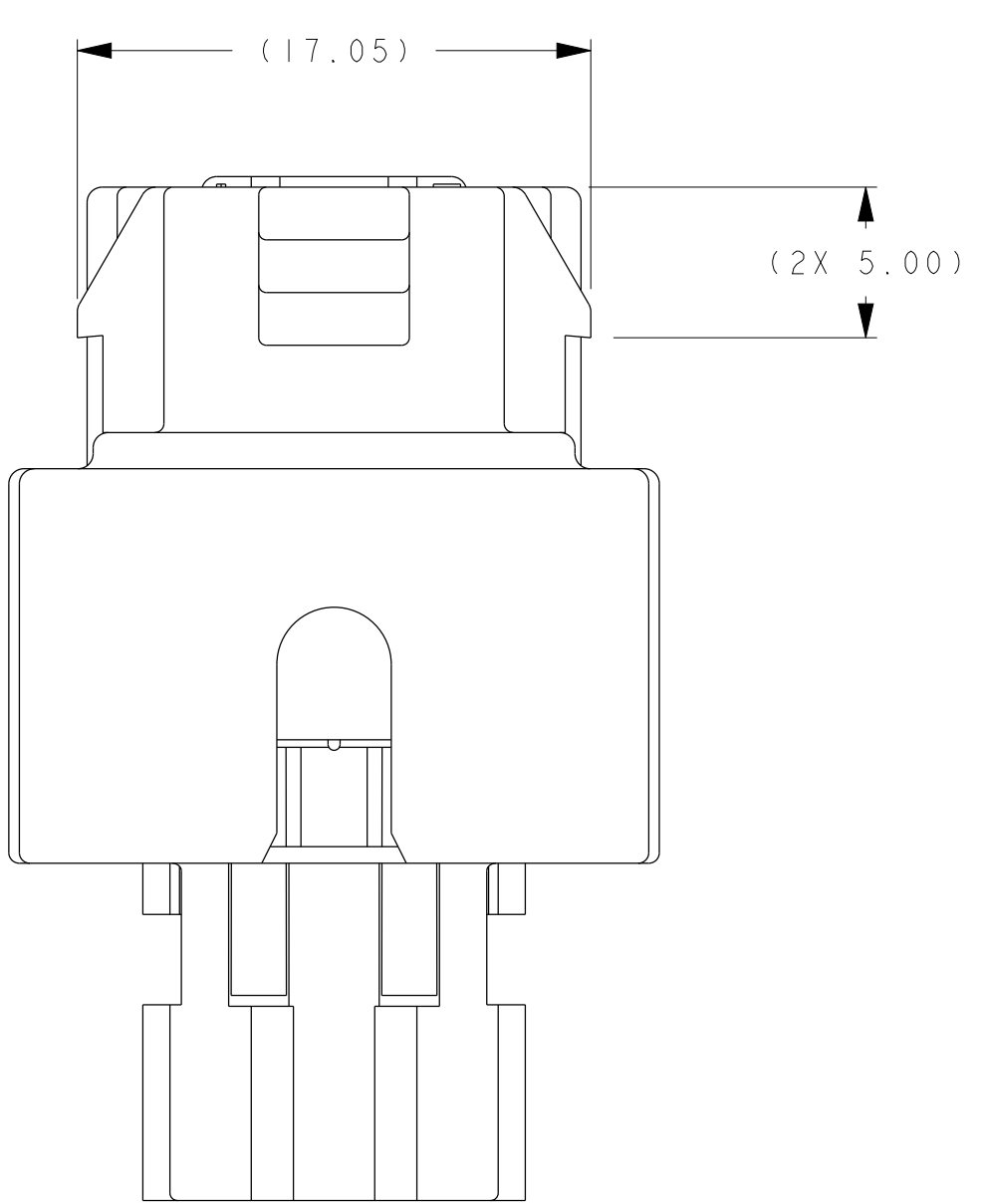
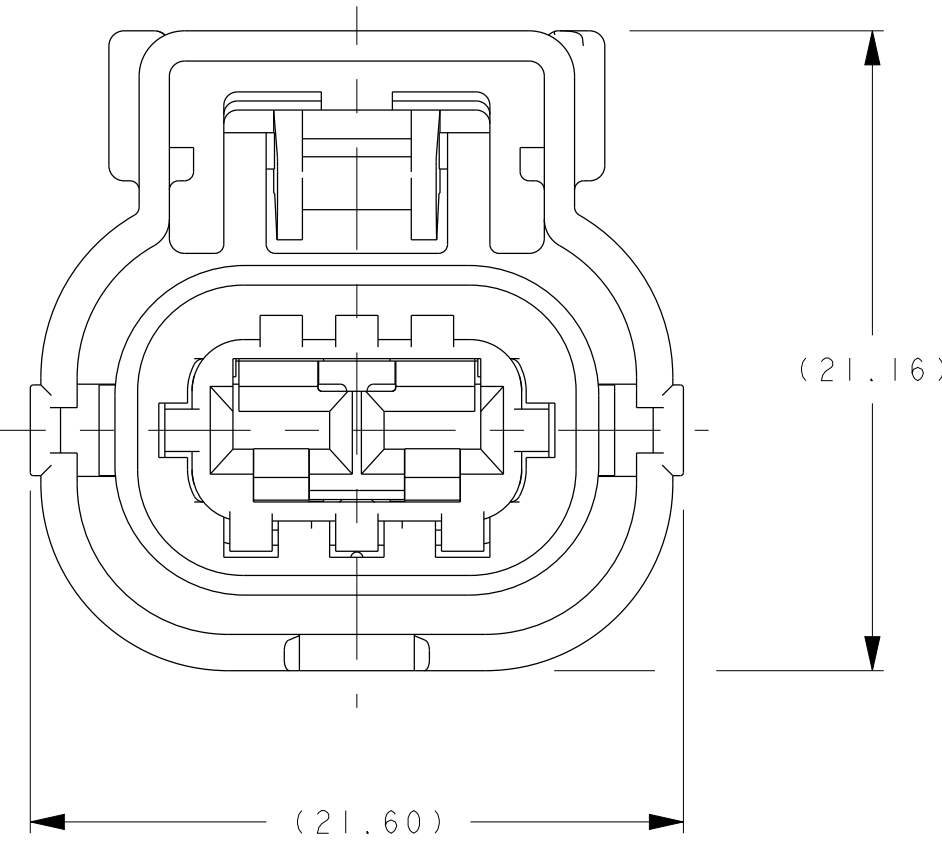
SECTION A-A
TPA SHOWN IN FINAL LOCK POSITION



OPTIONAL: ASSEMBLY NUMBER, DATE CODE AND MACHINE NUMBER THIS LOCATION-SEE NOTES



SECTION A-A
TPA SHOWN IN PRE-LOCK POSITION



NOTES:

- VALIDATED TO SAE/USCAR-2 REV 5
- VALIDATED TO THE FOLLOWING TEMP, VIBRATION, AND SEALING CLASSES:
 - SAE/USCAR-2 V3 T3 (125°C) WITH GOLD TERMINALS
 - SAE/USCAR-2 SEALING S3 T3 (125°C) (ISO16750 9K EQUIVALENT)
- CONNECTOR MAY BE USED WITH THE FOLLOWING TERMINALS:
 - FCI APEX 2.8 TERMINALS LISTED IN THE APPLICABLE COMPONENTS CHART ON THIS DRAWING WITH WIRE SIZES DEFINED IN NOTE 4.
 - SEE FCI DRAWING C15004-CUST FOR SPECIFIC TERMINAL DETAILS AND CRIMPING REQUIREMENTS
 - PLATING OF TERMINALS AND MATING DEVICE BLADES MUST BE COMPATIBLE
 - SEE NOTE 5.
 - EXCESSIVELY THICK TIN PLATING ON DEVICE BLADES IS NOT RECOMMENDED
- CONNECTOR SYSTEM VALIDATED TO USCAR-2 REQUIREMENTS WITH THE FOLLOWING RANGE OF WIRE SIZES AND TYPES IN CONJUNCTION WITH APPROPRIATE COMPONENTS FOUND IN THE "APPLICABLE COMPONENTS" CHART:
 - AWG - WIRE SIZES: 20AWG - 14AWG
 - INSULATION DIAMETER: 1.70mm MIN - 2.77mm MAX
 - WIRE TYPE: MIL-123-A, MS-8288 OR EQUIVALENT (STRUCTURE AND PROPERTIES ACCORDING TO SAE J1128)
 - METRIC - WIRE SIZE: 0.50mm² - 2.50mm²
 - INSULATION DIAMETER: 1.40mm MIN - 3.00mm MAX
 - WIRE TYPE: FLR2X-A OR EQUIVALENT (STRUCTURE AND PROPERTIES ACCORDING TO ISO 6722)
- CONTACT FCI ENGINEERING REGARDING USE OF OTHER WIRE SIZES AND/OR TYPES
- WIRE AND INSULATION TYPE MUST BE APPROPRIATE FOR TEMPERATURE CLASS & APPLICATION ENVIRONMENT
- CONNECTOR IS MATE COMPATIBLE WITH DEVICES CONFORMING WITH THE FOLLOWING INTERFACE SPECIFICATIONS:
 - FORD DWG 8U5T-14A464-GAC SHEET 2 (PREFERRED)
 - BOSCH DWG 1928S00000 VARIANT A
 - GM DWG 13115604
- FOR CONSTRUCTION OF NEW DEVICES, FORD DWG 8U5T-14A464-GAC SHEET 2 IS RECOMMENDED
- NOTE: EXCESSIVELY THICK TIN PLATING ON DEVICE BLADES IS NOT RECOMMENDED. SEE EWCAP-001 (280-7001) BLADE SPECIFICATION FOR PREFERRED PLATING
- DEVICE SUPPLIERS RESPONSIBLE FOR VALIDATING PERFORMANCE OF DEVICE TO SAE/USCAR-2 REV 5
- ANNUAL QUALITY REQUIREMENTS:
 - IT IS PERMISSIBLE TO PERFORM CONTINUOUS CONFORMANCE PER FCI SPECIFICATION #AQA-001 INSTEAD OF ANNUAL LAYOUT AND ANNUAL PV REQUIREMENTS OF ISO TS16949 AND SAE/USCAR-2 REV 5. FOR TERMINAL TO CONNECTOR AND TPA TO CONNECTOR ONLY.
- SOURCE ID, MOLD & CAVITY ID SIGNIFIES TOOL OWNERSHIP, FOR REFERENCE
- Ⓚ INDICATES IN-PROCESS INSPECTION FOR MANUFACTURING DIMENSIONS OR SPECIFICATIONS.

ENR-12-0118 AP CHART ADD 0.5mm ² WIRE, REVISE WIRE SIZE COLUMN, REVISE INSUL. O.D. COLUMN
1200130 AP CHART CORRECTED WIRE INSULATION DIA RANGE FOR F576000, 2.18mm-2.80mm was 2.18mm-2.71mm
1200532 NEW RELEASE - RELEASED AT REV B
ENR-NO. ZONE CHANGE DESCRIPTION
REVISIONS: 1.0 1.1 1.2 MATERIAL: SEE TABLE
DATE: 11/11/2011
PROJECT: 28mm APEX SEALED CONNECTOR SYSTEM
DRAWING NUMBER: PCC0605490
SHEET: 1 OF 1
STATUS: SERIAL RELEASED
SCALE: 1:1

X-ON Electronics

Largest Supplier of Electrical and Electronic Components

Click to view similar products for [Automotive Connectors](#) category:

Click to view products by [APTIV](#) manufacturer:

Other Similar products are found below :

[003-018-000](#) [60403001](#) [60993906-B](#) [629515004020001](#) [M902-2131](#) [M902-2161](#) [72.330.1035.1](#) [73.353.4028.0](#) [F119300-B](#) [F166900](#)
[F258300-B](#) [F358300-B](#) [F407400](#) [F444110](#) [F487000](#) [F509500B-B](#) [827153-1](#) [8N1515-32-24P](#) [9-1326729-8](#) [925474-1](#) [928905-1](#) [964562-4](#)
[968782-1](#) [GT17SA-8DS-HU](#) [98891-1012](#) [98947-1016](#) [12004475-L](#) [12010290](#) [12010309-B](#) [12015454](#) [12020219-B](#) [12020308](#) [12041318-B](#)
[12052225-L](#) [12052466](#) [12059125](#) [12064869](#) [12004327-B](#) [12010503-B](#) [12015308](#) [12015384](#) [12015909](#) [1-21030-1](#) [12041254](#) [12041318](#)
[12047946-B](#) [12047957](#) [12047957-L](#) [12059473](#) [12066261](#)