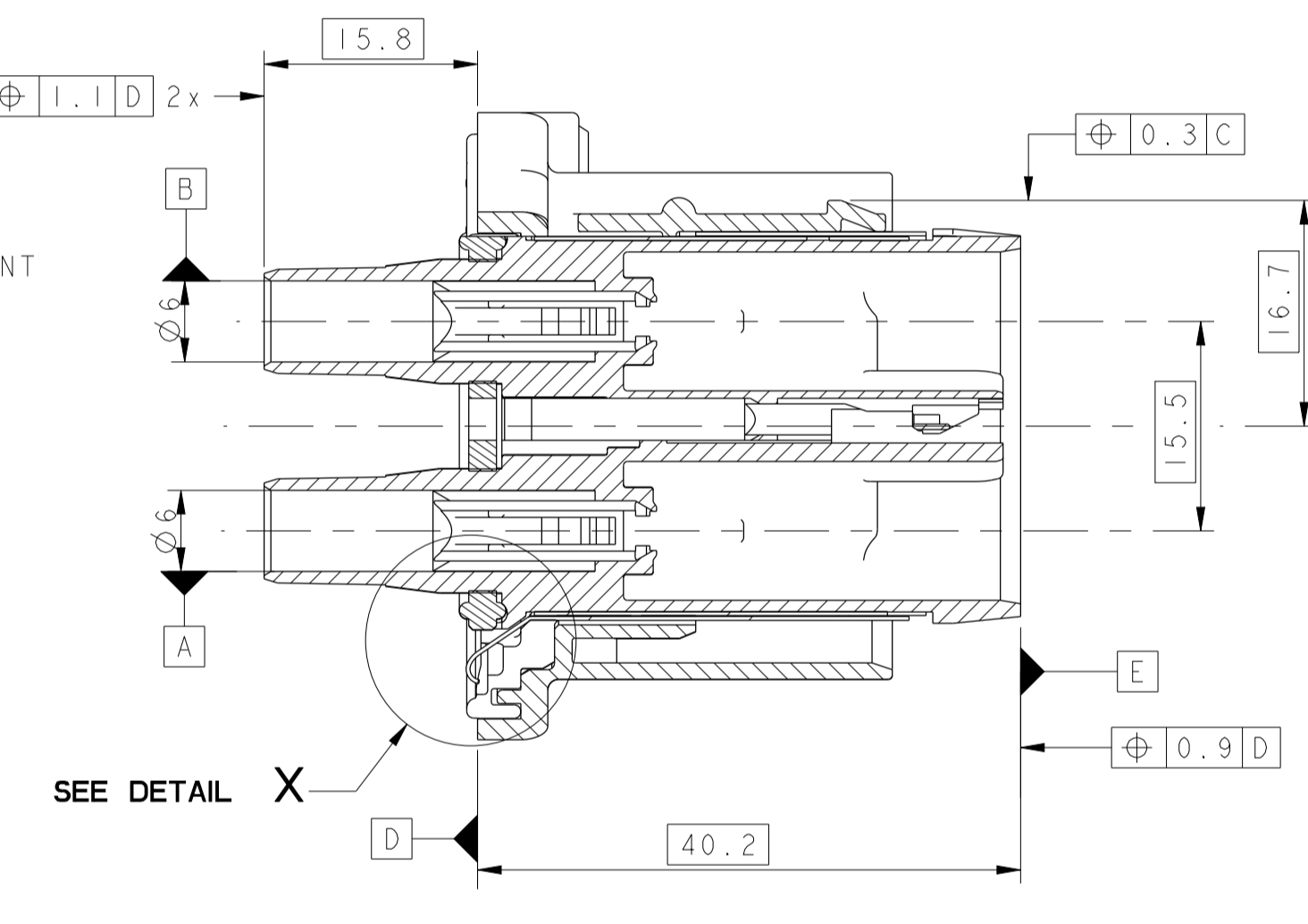
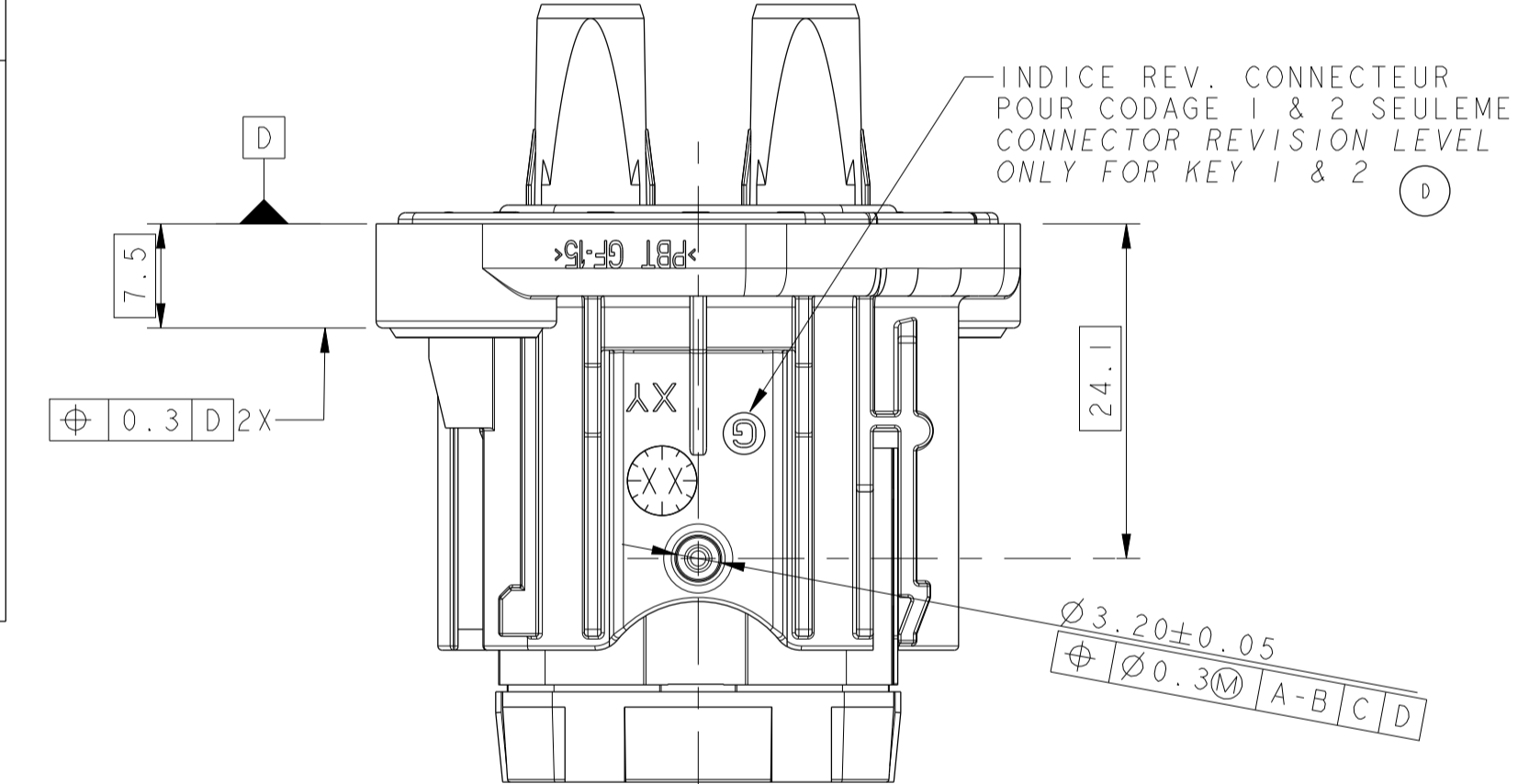
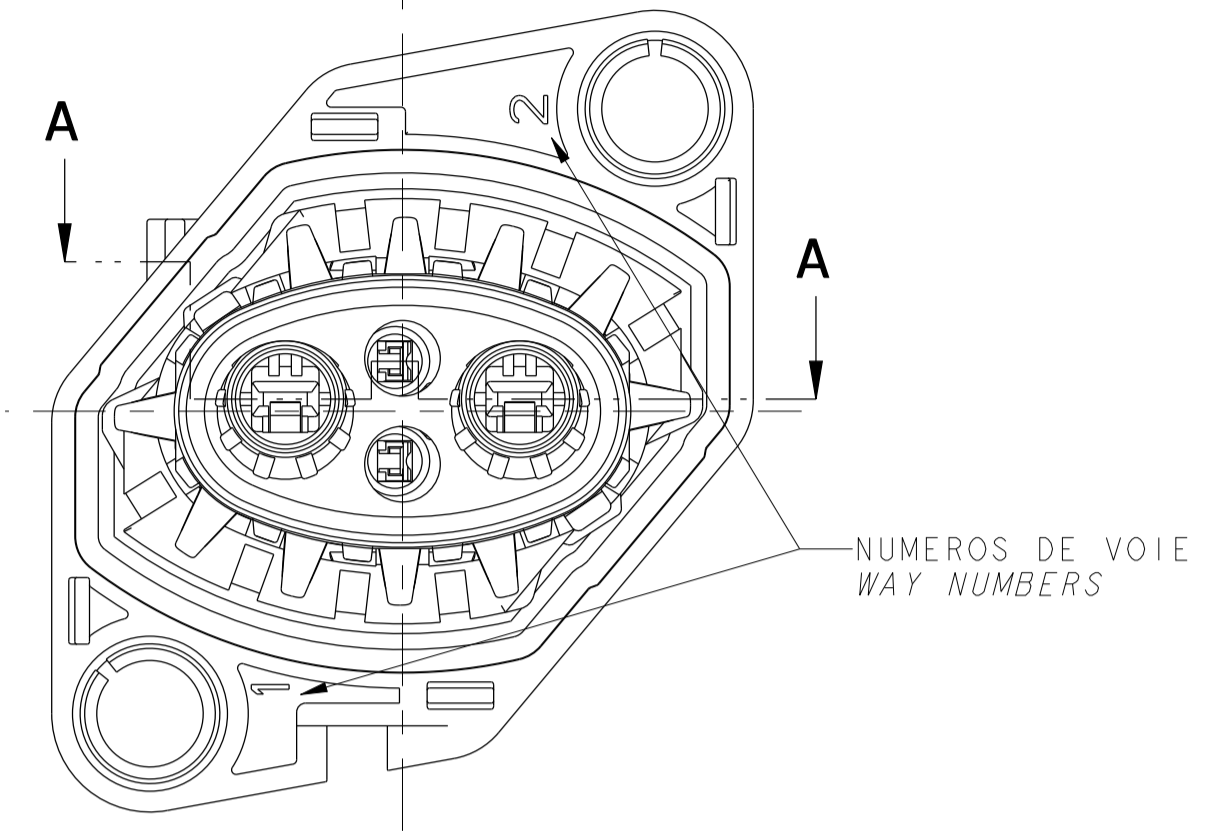
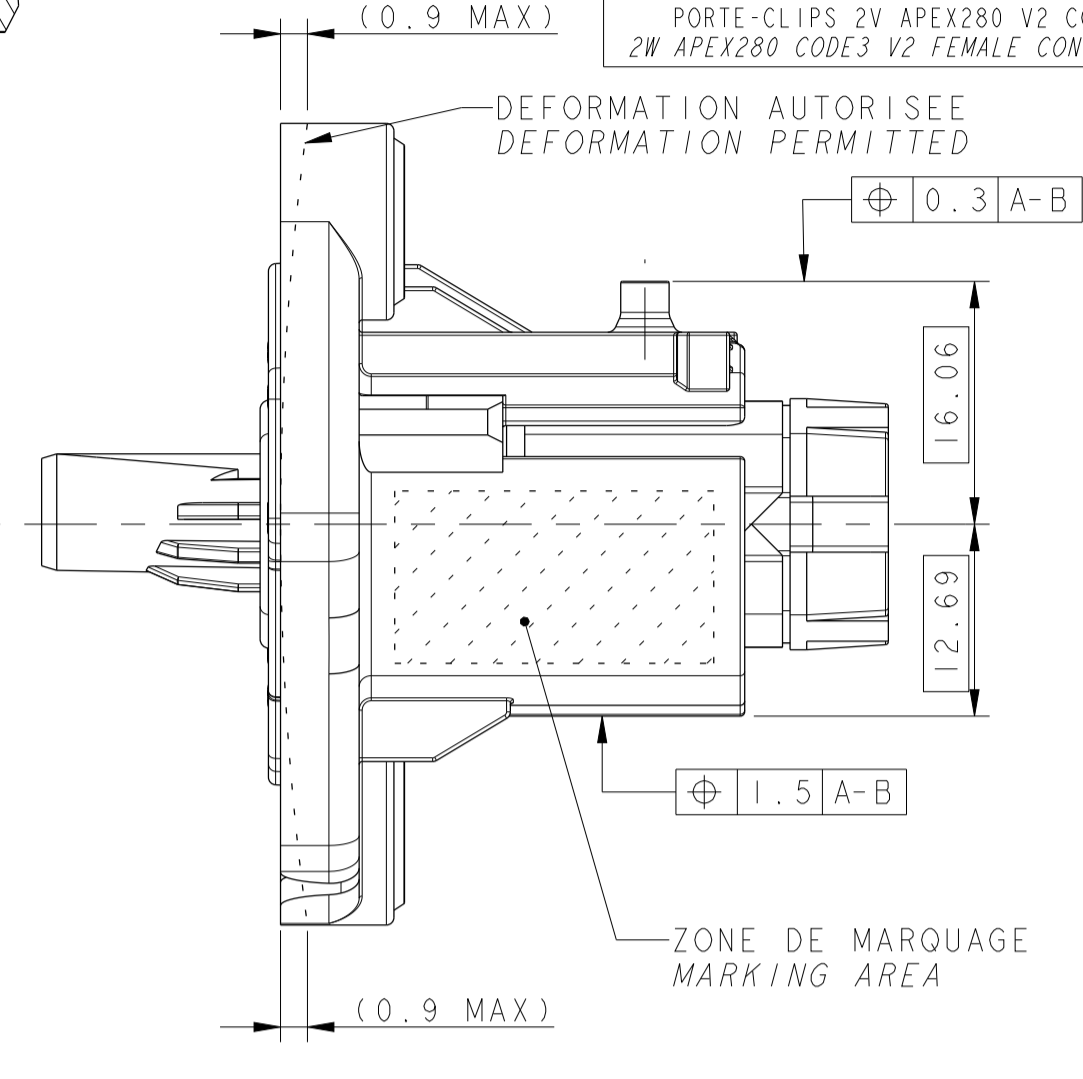
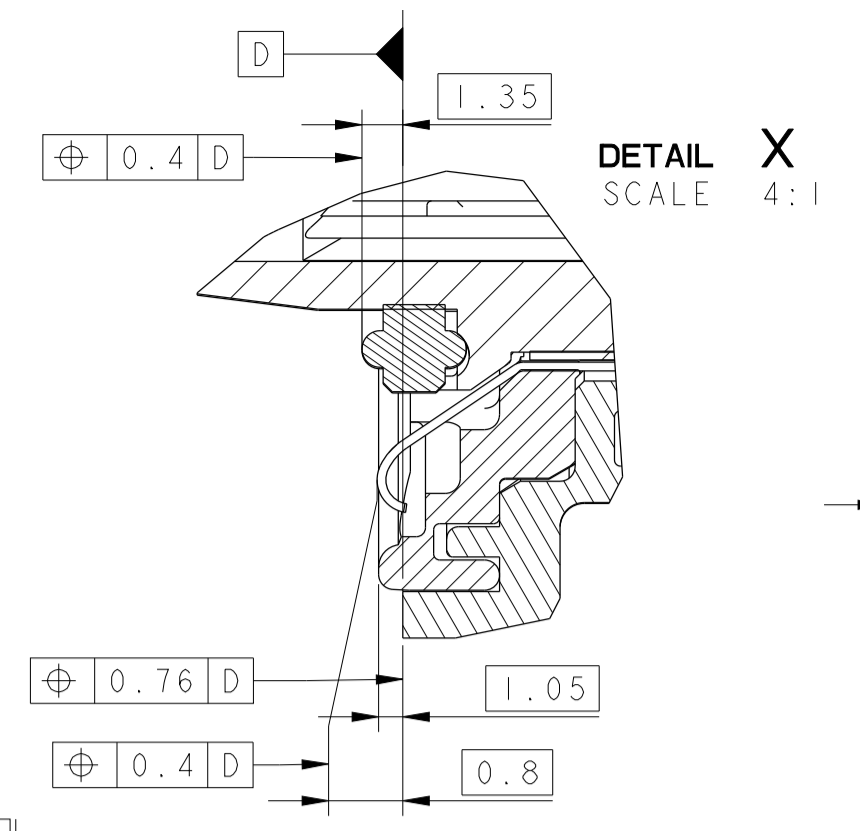
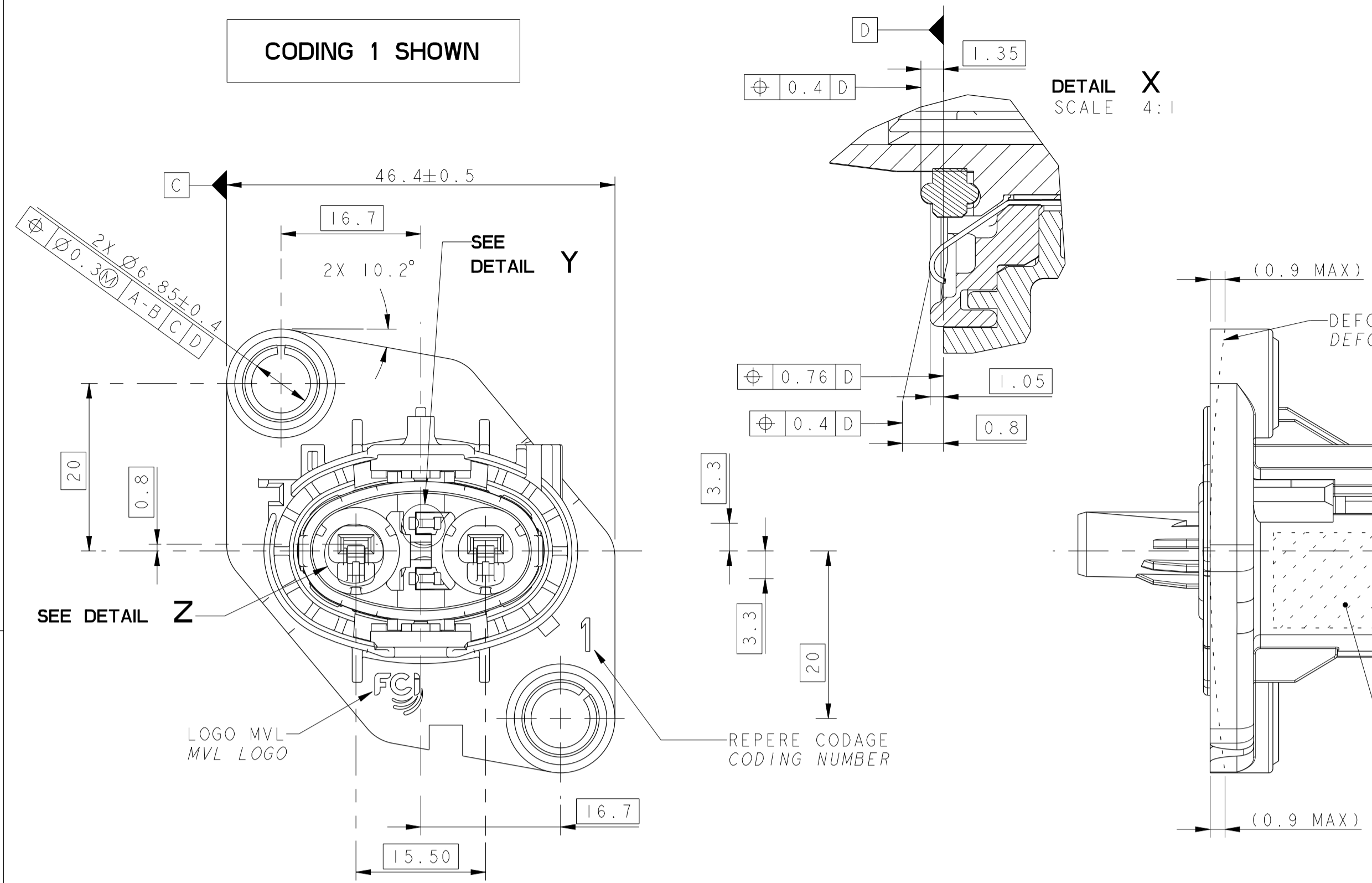


CODING 1 SHOWN



SECTION A-A

PRODUITS ASSOCIES (POUR INFORMATION) / ASSOCIATED PARTS (FOR INFORMATION)							
	REFERENCE MVL MVL PART-N°	REFERENCE DELPHI DELPHI PART-N°	SECTION DU FIL WIRE SECTION	DIAMETRE EXTERNE DU FIL EXTERNAL WIRE DIAMETER	JUF / SWS		
					REFERENCE MVL MVL PART-N°	REFERENCE DELPHI DELPHI PART-N°	COULEUR COLOR
LANGUETTE APEX 2.8 ETAME TINNED APEX 2.8 MALE TERMINAL	54001027	15516298	4mm²	Ø 3.4 MINI - 3.7 MAXI	C302400	33512175	ROUGE REDDISH BROWN
LANGUETTE DCS2 1.5 DORE GOLD DCS2 1.5 MALE TERMINAL	60100714	33511802	0.35mm²	Ø 1.25 MINI - 1.35 MAXI	6 099 39 13	15441379	ROUGE / RED
	60100734	10779703	0.5mm²	Ø 1.4 MINI - 1.5 MAXI			
PORTE-CLIPS 2V APEX280 V2 CODE1 2W APEX280 CODE1 V2 FEMALE CONNECTOR	F083110		1.0mm²	Ø 1.75 MINI - 1.9 MAXI	6 099 39 28	15441380	GRIS / GREY
PORTE-CLIPS 2V APEX280 V2 CODE2 2W APEX280 CODE2 V2 FEMALE CONNECTOR	F183110						
PORTE-CLIPS 2V APEX280 V2 CODE3 2W APEX280 CODE3 V2 FEMALE CONNECTOR	33406447						

NOTAS :

- CAHIER DES CHARGES MVL : FE PS 10 006
- CLASSE DE TEMPERATURE DU CONNECTEUR : CLASS 3 (-40°C ; +125°C)
- CLASSE DE VIBRATION :
 - PRECONDITIONNEMENT
 - VIBRATION 3x 16H (COMBINE AVEC TEMPERATURE -40°C / +125°C) ; 3.9g
- CLASSE D'ETANCHEITE :
 - 1000mb INITIAL
 - 500mb APRES LES TESTS D'ENVIRONNEMENT.
- EFFORT D'ACCOUPEMENT : F<60N
- CONDITIONNEMENT : FE PA 08 007
- DOSSIER DE MISE EN OEUVRE : PUI39
- MASSE DU PRODUIT : 0.037 kg ±10%
- CE PLAN EST UN EXTRAIT DES PLANS DE DEFINITIONS. ON FERA REFERENCE POUR TOUT LITIGE AUX PLANS DE DEFINITION.
- PLAN DU PORTE-CLIPS: PCC0726960
- LE COUPLE DE SERRAGE PRECONISE PARTICIPE A UNE FONCTION SECURITAIRE D'ETANCHEITE.

NOTES:

- MVL SPECIFICATIONS: FE PS 10 006
- TEMPERATURE CLASS OF THE CONNECTOR: CLASS 3 (-40°C ; +125°C)
- VIBRATION CLASS:
 - PRECONDITIONNING
 - VIBRATION 3x 16H (COMBINED WITH TEMPERATURE -40°C / +125°C) ; 3.9g
- SEALING CLASS:
 - 1000mb INITIAL
 - 500mb AFTER TEST ENVIRONMENT.
- MATING FORCE : F<60N
- PACKAGING : FE PA 08 007
- HANDLING MANUAL : PUI39
- MASS OF THE PRODUCT : 0.037 kg ±10%
- THIS DRAWING IS AN EXTRACT OF THE DETAIL DRAWINGS. IN CASE OF CONFLICT, REFER TO THEM.
- DRAWING FEMALE CONNECTOR: PCC0726960
- THE PRECONIZED SCREWING TORQUE PARTICIPATE TO A SECURITY SEALING FEATURE.

	REFERENCE MVL / MVL PART-N°	F873110 REVISION G	F973110 REVISION G	NA
	REFERENCE DELPHI / DELPHI PART-N°	33511766 REVISION 01	33511767 REVISION 01	33406448 REVISION 01
	CODAGE MECANIQUE MECHANICAL KEY	CODAGE 1 KEY 1	CODAGE 2 KEY 2	CODAGE 3 KEY 3
	IDENTIFIANT IMDS IMDS ID	212989496	212989802	546119773
CODAGE / KEY	CODAGE CONNECTEUR SUIVANT VUE DE FACE PLUG CODING FOLLOWING FRONT VIEW			
	CODAGE EQUIPEMENT SUIVANT VUE DE FACE DEVICE CODING FOLLOWING FRONT VIEW			

15-14882	D9	KEY 3 AVAILABLE
ECN-NO. NUMERO ECH	POSITION POSITION	CHANGE DESCRIPTION MODIFICATION
PROJECT SPEC. SPECIF. PRODUIT	PACKAGING SPEC. SPECIF. EMBALAGE	APPLICATION SPEC. SPECIF. APPLICATION
TOLERANCES	±0.2	±2*
CONTRÔLEUR N°	DATE	NAME
DO NOT MEASURE DRAWING	DO NOT MEASURE DRAWING	DO NOT MEASURE DRAWING
CREATED BY	DATE	NAME
MODIFIED BY	DATE	NAME
APPROVED BY	DATE	NAME
FILE NAME	NUMERO ESP	NUMERO CAP
PCC0726959	EU-090006	
DELPHI PACKARD ELECTRICAL/ELECTRONIC ARCHITECTURE		
DRAWING NUMBER: PCC0726959		
SERIAL RELEASED		
See Table		

ENCOMBREMENT POUR MONTABILITE DU PORTE-CLIPS SUR EMBASE
 FREE SPACE AREA NEEDED TO MATE AND UNMATE THE FEMALE CONNECTOR ON THE HEADER

2x VIS H M6 , CLASSE 8.8 SUIVANT NORME E25-30
 2x SCREWS H M6 , 8.8 CLASS FOLLOWING NORM E25-30
 COUPLE SERRAGE : 8Nm ±10%
 SCREWING TORQUE : 8Nm ±10%
 (VOIR NOTE 7 EN PAGE 1 / SEE NOTE 7 ON PAGE 1)
 ET / AND
 2x RONDELLES PLATES: Z 6 U SUIVANT NFE 27-611
 2x WASHER: Z 6 U FOLLOWING NFE 27-611

OU / OR
 2x VIS M6 TETE HEXAGONALE TYPE I SUIVANT
 NES 2114_2006_N1
 2x SCREWS M6 HEXAGONAL HEAD TYPE I
 FOLLOWING NES 2114_2006_N1
 COUPLE DE SERRAGE : 8Nm±10%
 SCREWING TORQUE : 8Nm±10%
 (VOIR NOTE 7 EN PAGE 1 / SEE NOTE 7 ON PAGE 1)

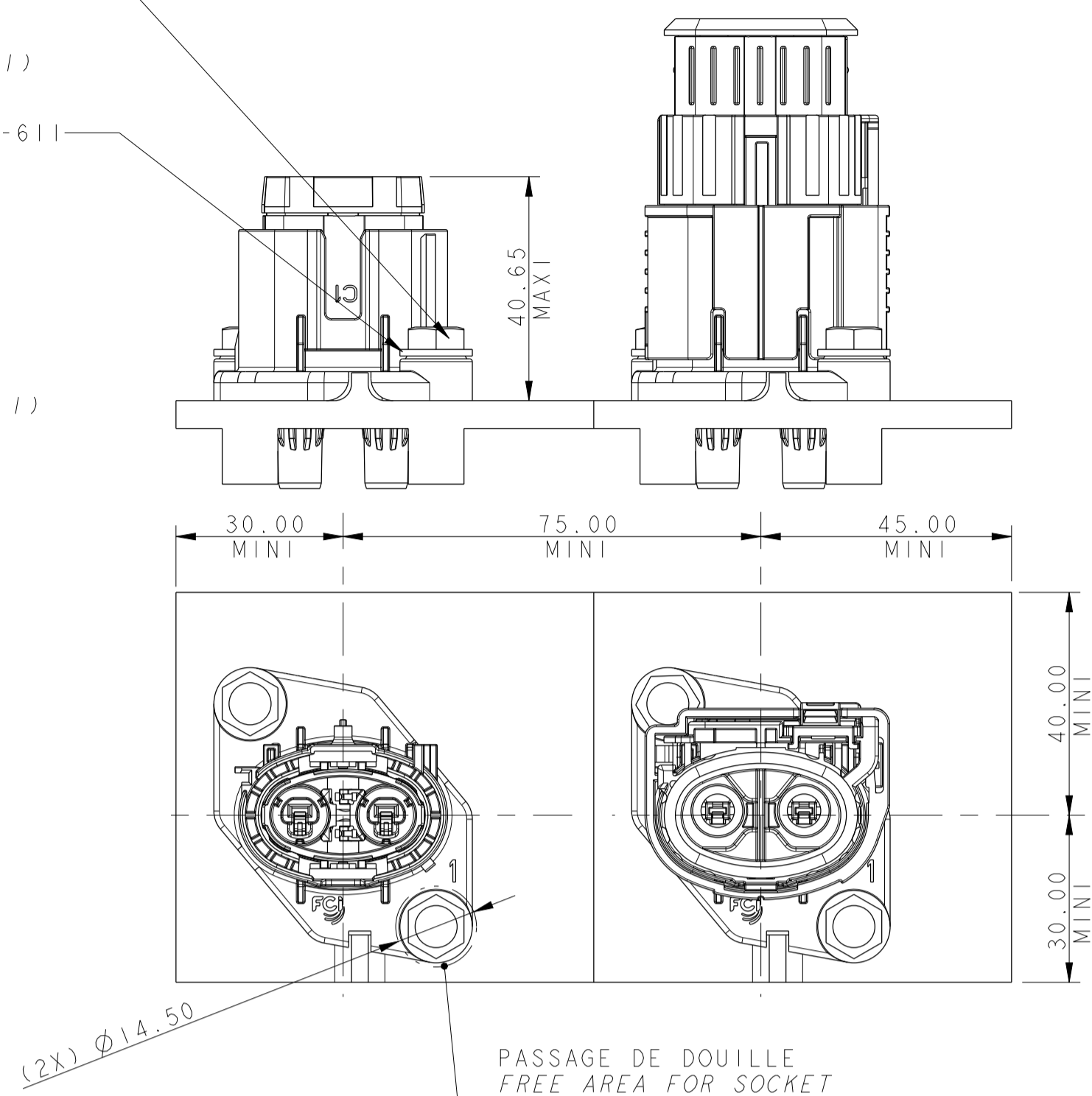
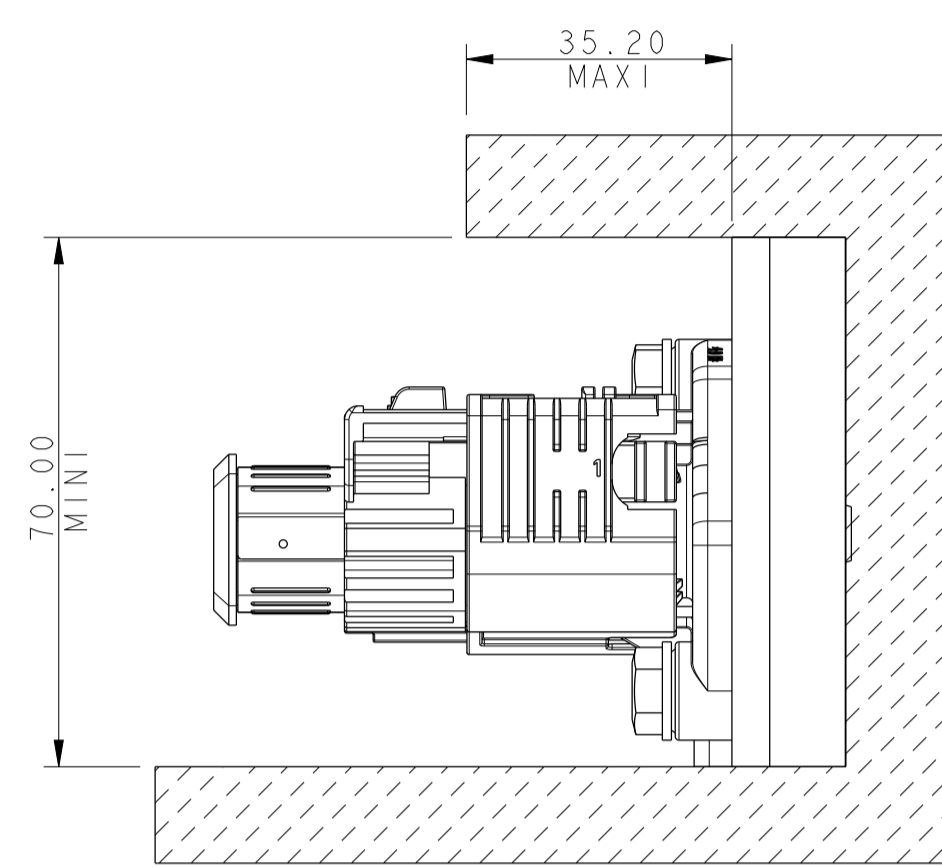
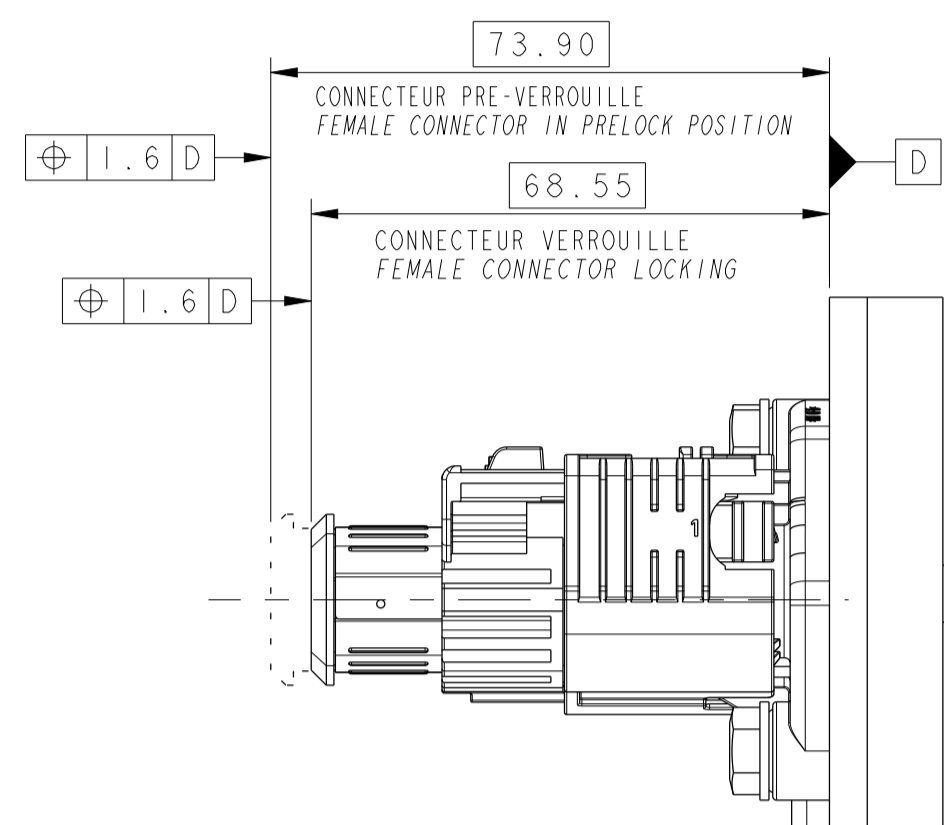
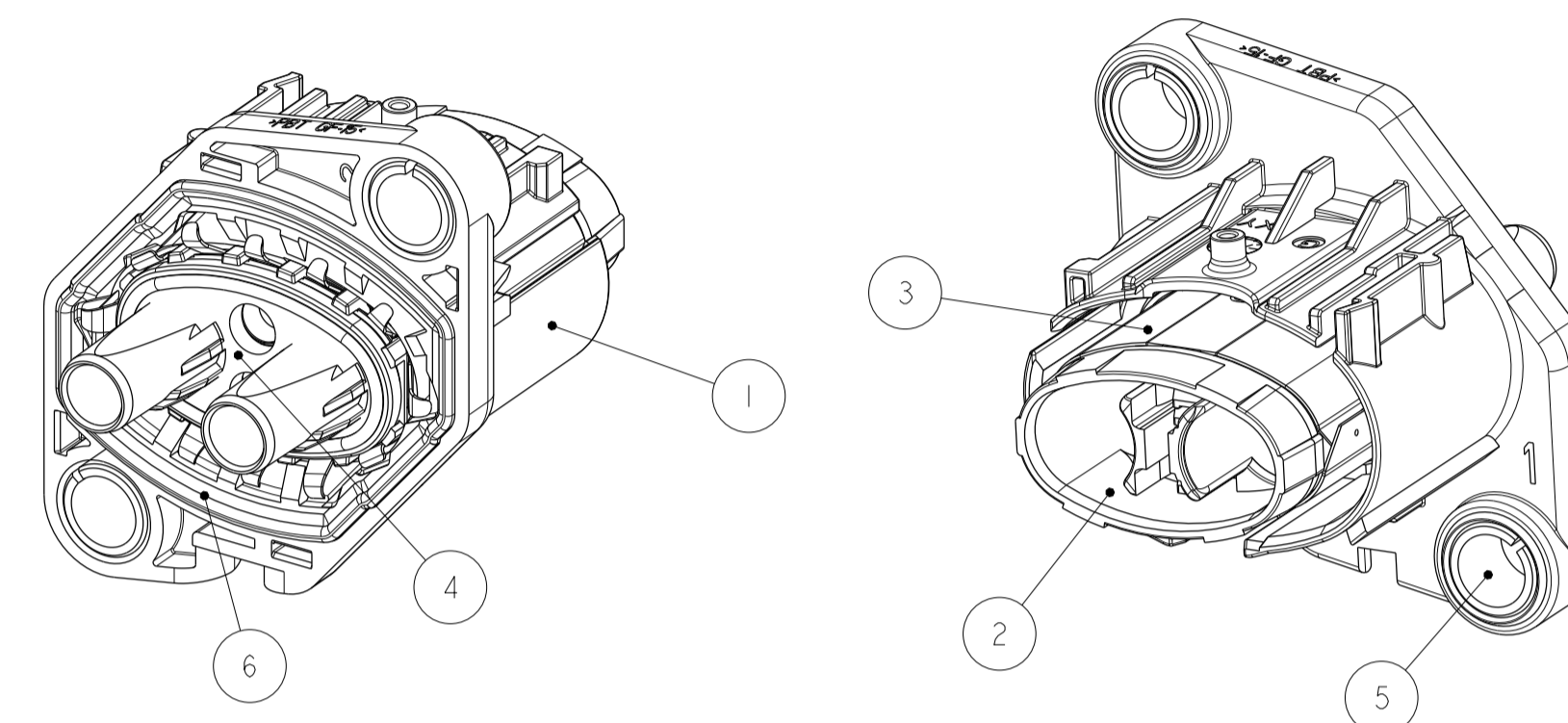
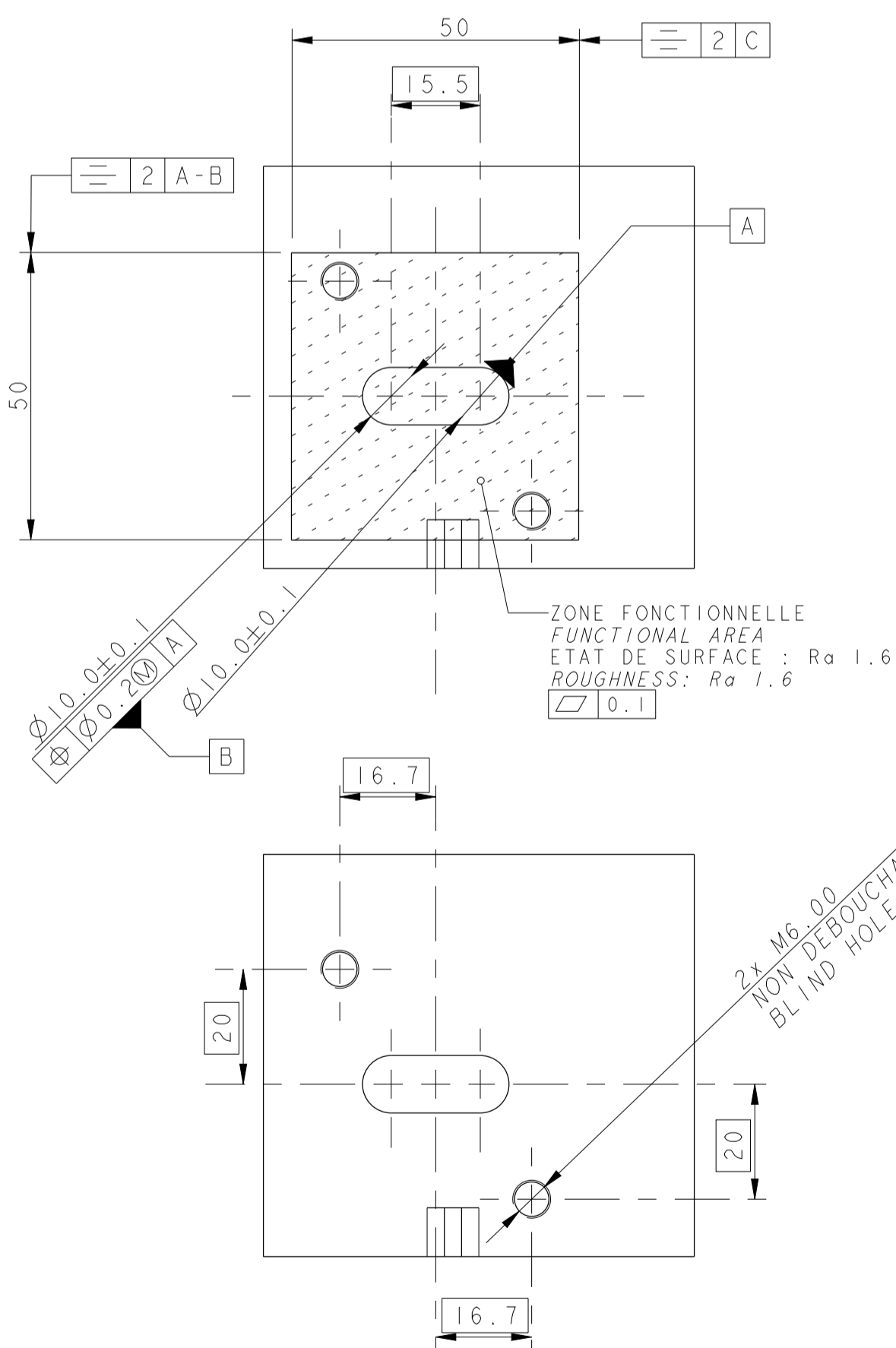


TABLEAU DES COMPOSANTS CONSTITUANT LE PRODUIT COMPONENTS TABLE CONSTITUTING THE PRODUCT				
REPERE	DESIGNATION TITLE	COULEUR COLOR	MATIERE MATERIAL	QUANTITE QUANTITY
1	BOITIER EXTERNE OUTER HOUSING	ORANGE ORANGE	PBT 15% FV PBT GF 15	1
2	MODULE INNER HOUSING	ORANGE ORANGE	PBT 15% FV PBT GF 15	1
3	BLINDAGE SHIELD	-	ALLIAGE DE CUIVRE COPPER ALLOY	2
4	JOINT PLAT FLAT SEAL	GRIS GREY	SILICONE LSR LSR SILICON	1
5	INSERT METALLIQUE METALIC INSERT	-	ACIER CARBON STEEL	2
6	JOINT DE BLINDAGE SEAL FOR SHIELD	GRIS GREY	SILICONE LSR LSR SILICONE	1



DEFINITION DE L'INTERFACE POUR MONTAGE EMBASE
 DEFINITION OF THE INTERFACE TO ASSEMBLE THE HEADER

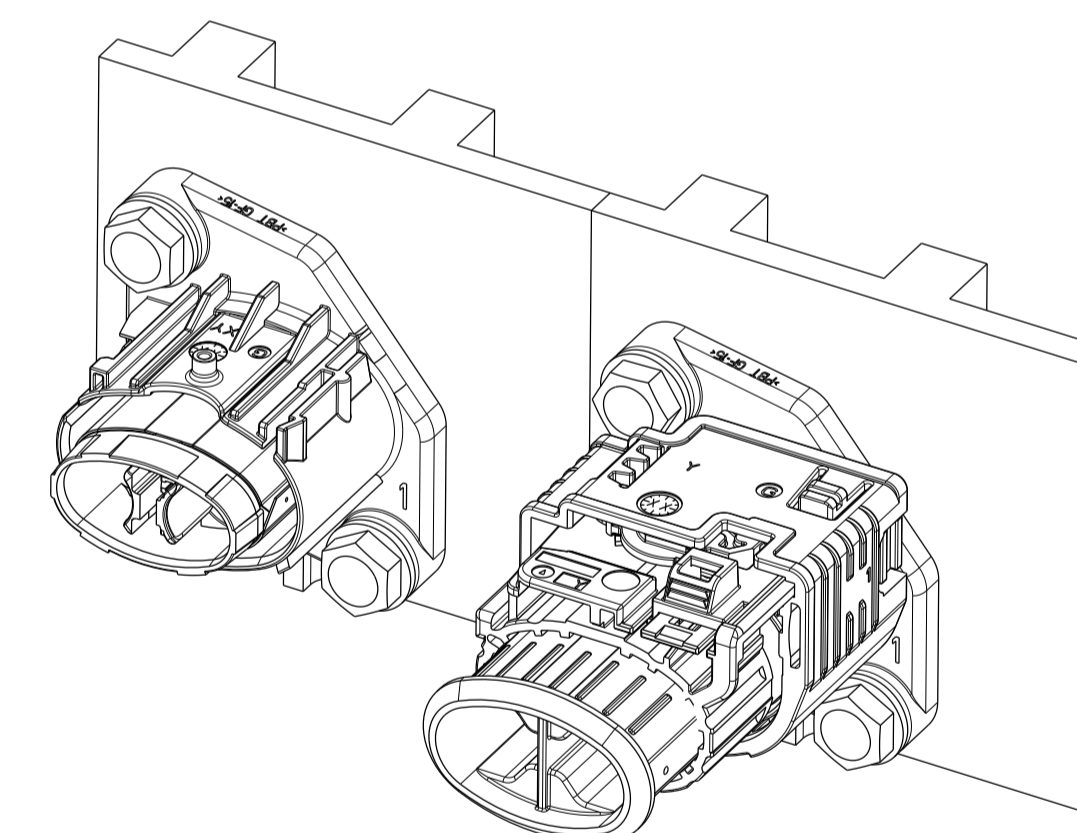


NOTES:
 LA REFERENCE C EST DEFINIE AU MILIEU DU
 SEGMENT [AB] NORMAL A [A-B]
 THE REFERENCE C IS DEFINED IN THE MIDDLE OF
 SEGMENT [AB] NORMAL TO THE REFERENCE [A-B]

MATIERE: ALLIAGE D'ALUMINIUM (TENUE BROUILLARD SALIN
 + TEST ELECTRIQUE DE LA FE PS 10 006)
 MATERIAL: ALUMINIUM ALLOY (SALT SPRAY TEST
 + ELECTRICAL TEST FROM FE PS 10 006)

	CODAGE 1 KEY 1	CODAGE 2 KEY 2	CODAGE 3 KEY 3
CAS N°1 : CODAGE AVEC UNE GOUPILLE RAPPORTEE USE CASE N°1 : CODING WITH A PIN			
	ATTENTION : TROU RECEVANT LA GOUPILLE NON DEBOUCHANT WARNING : BLIND HOLE TO RECEIVE THE PIN	ATTENTION : TROU RECEVANT LA GOUPILLE NON DEBOUCHANT WARNING : BLIND HOLE TO RECEIVE THE PIN	ATTENTION : TROU RECEVANT LA GOUPILLE NON DEBOUCHANT WARNING : BLIND HOLE TO RECEIVE THE PIN
CAS N°2 : CODAGE DANS LE MOULE USE CASE N°2 : CODING INTO THE DIE CAST			
	ATTENTION : TROU RECEVANT LA GOUPILLE NON DEBOUCHANT WARNING : BLIND HOLE TO RECEIVE THE PIN	ATTENTION : TROU RECEVANT LA GOUPILLE NON DEBOUCHANT WARNING : BLIND HOLE TO RECEIVE THE PIN	ATTENTION : TROU RECEVANT LA GOUPILLE NON DEBOUCHANT WARNING : BLIND HOLE TO RECEIVE THE PIN

SCALE 3:2



ECO-N°	POSITION	CHANGE DESCRIPTION	DELPHI
NUMERO ECH	POSITION	MODIFICATION	DELPHI PACKARD ELECTRICAL/ELECTRONIC ARCHITECTURE
KEY 3 AVAILABLE (SEE SHEET 1)			pro / eng.
PROJECT SPEC	PACKAGING SPEC	APPLICATION SPEC	COPYRIGHT DELPHI CORPORATION AND/OR ITS AFFILIATES. ALL RIGHTS RESERVED. REVISED
SPECIFIC PRODUCT	SPECIFIC FORM/LABEL	SPECIFIC APPLICATION	THIS DRAWING IS THE PROPERTY OF DELPHI CORPORATION AND CONTAINS DELPHI
SEE NOTES	SEE NOTES	SEE NOTES	CONFIDENTIAL INFORMATION. THE REPRODUCTION, DISTRIBUTION AND RELEASE OF THIS DOCUMENT BY ANY MEANS OR BY ANY METHOD, WITHOUT EXPRESS AUTHORIZATION, IS PROHIBITED.
TOLERANCES	±0.2	±2*	DELPHI
CONTRIBUTOR	SEE NOTES	SEE BOM	DELPHI
DATE	DATE	DATE	DELPHI
APP. PAR	APP. PAR	APP. PAR	DELPHI
FILE NAME	FILE NAME	FILE NAME	DELPHI
PCC0276959	PCC0276959	PCC0276959	DELPHI

X-ON Electronics

Largest Supplier of Electrical and Electronic Components

Click to view similar products for [Automotive Connectors](#) category:

Click to view products by [APTIV](#) manufacturer:

Other Similar products are found below :

[003-018-000](#) [60403001](#) [60993906-B](#) [629515004020001](#) [M902-2131](#) [M902-2161](#) [72.330.1035.1](#) [73.353.4028.0](#) [F119300-B](#) [F166900](#)
[F258300-B](#) [F358300-B](#) [F407400](#) [F444110](#) [F487000](#) [F509500B-B](#) [827153-1](#) [8N1515-32-24P](#) [9-1326729-8](#) [925474-1](#) [928905-1](#) [964562-4](#)
[968782-1](#) [GT17SA-8DS-HU](#) [98891-1012](#) [98947-1016](#) [12004475-L](#) [12010290](#) [12010309-B](#) [12015454](#) [12020219-B](#) [12020308](#) [12041318-B](#)
[12052225-L](#) [12052466](#) [12059125](#) [12064869](#) [12004327-B](#) [12010503-B](#) [12015308](#) [12015384](#) [12015909](#) [1-21030-1](#) [12041254](#) [12041318](#)
[12047946-B](#) [12047957](#) [12047957-L](#) [12059473](#) [12066261](#)