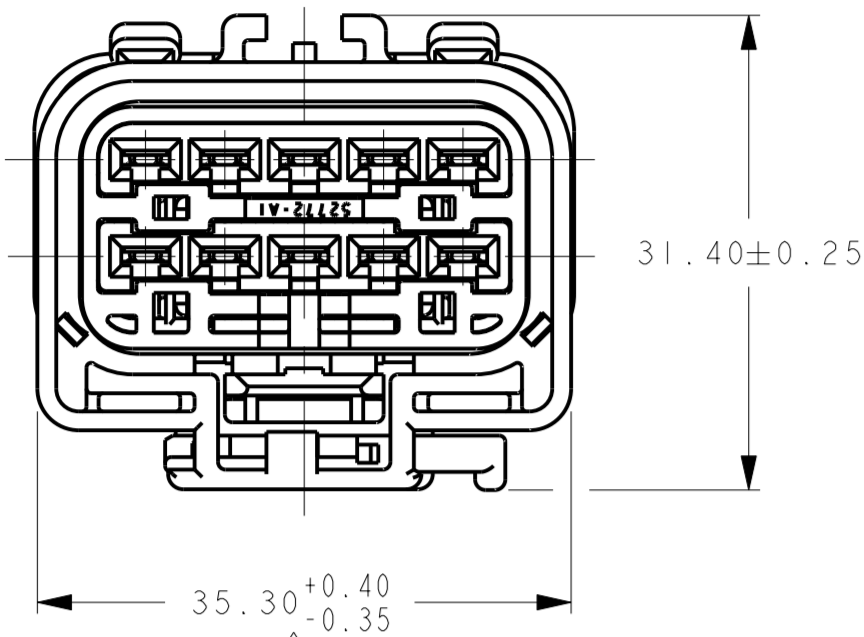
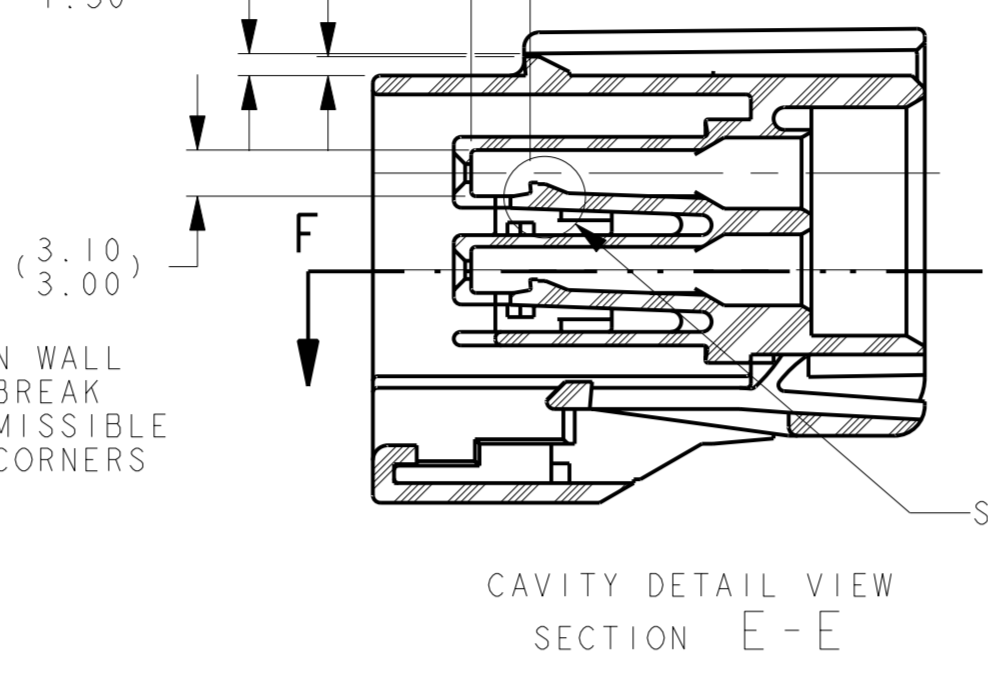
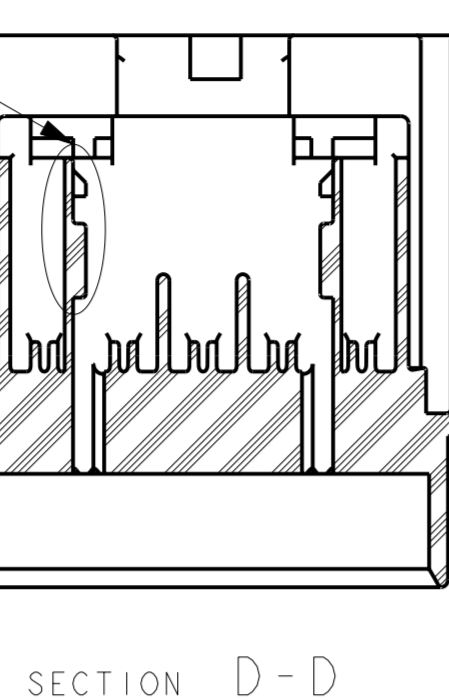
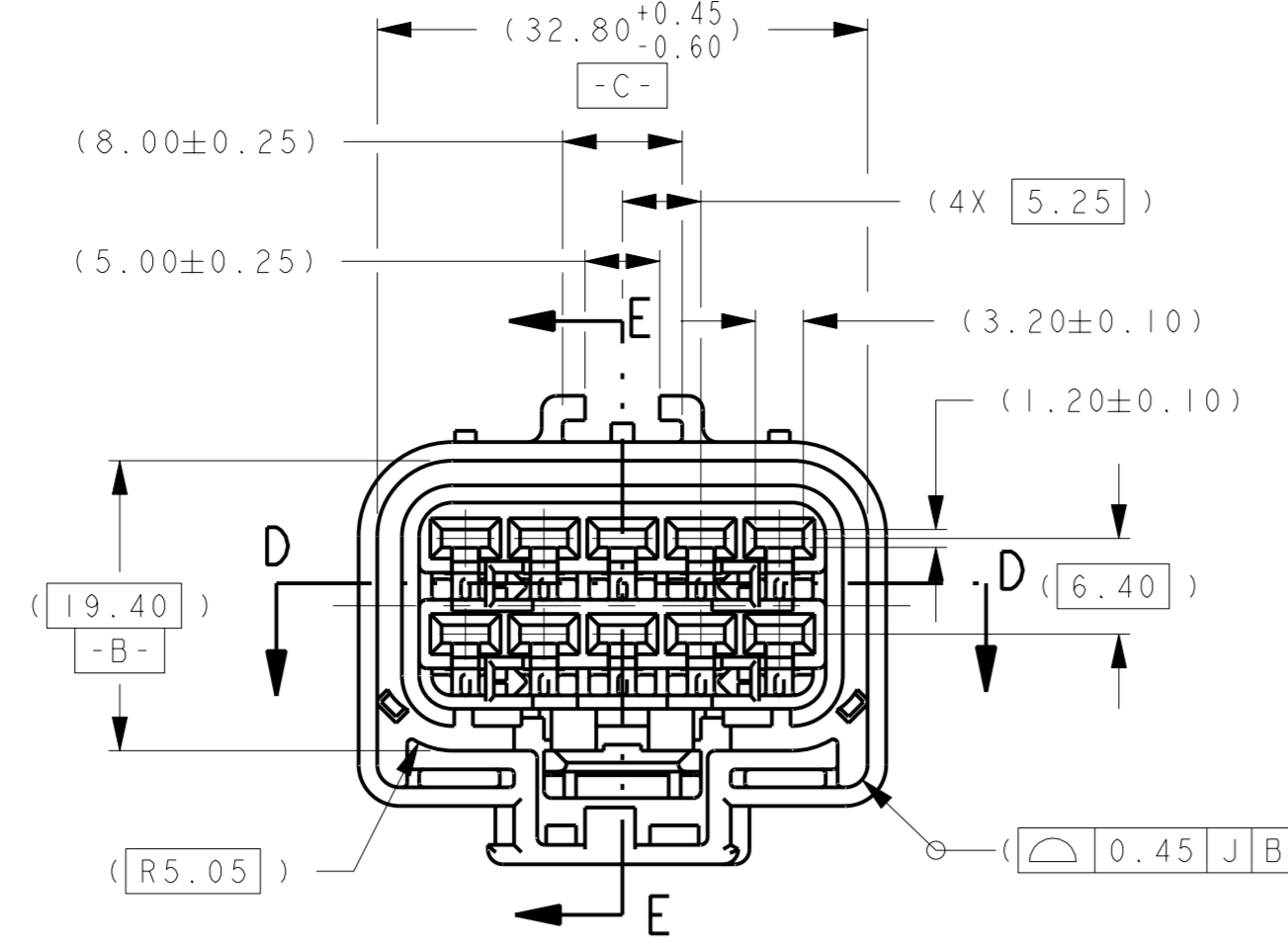
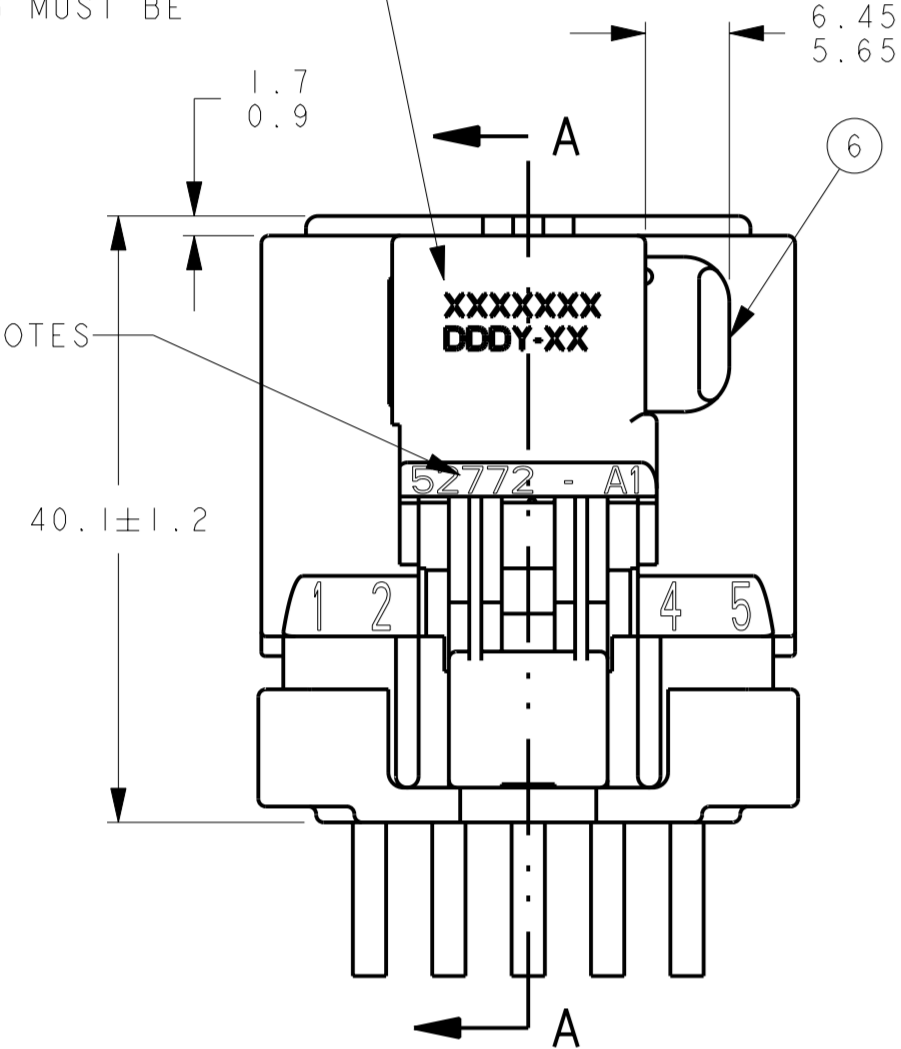


SUPPLEMENTARY VIEW SHOWN W/O CPA SEE P/N CHART ALL DIMENSIONS SAME AS WITH CPA VIEWS



LAST 6 DIGITS OF P/N & PART CHANGE LEVEL (PCL) MFG. DAILY DATE CODE & ASSY MACHINE NO. LETTERING MUST BE LEGIBLE OPTIONAL



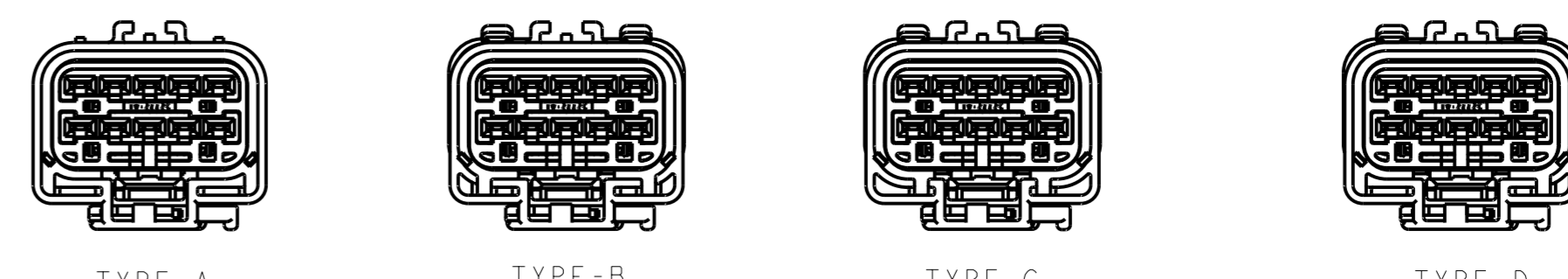
PARTIAL SECTION F-F

DETAIL Y TERM LOCK FINGER SCALE 5:1

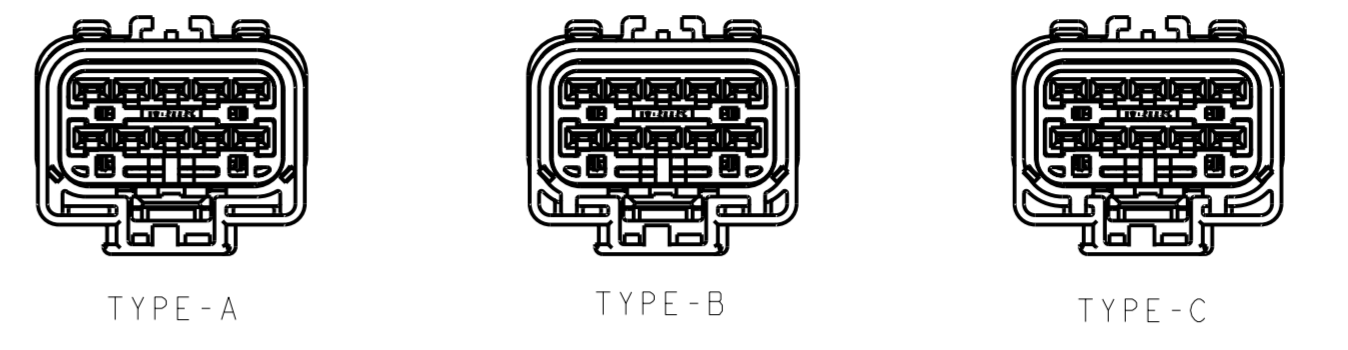
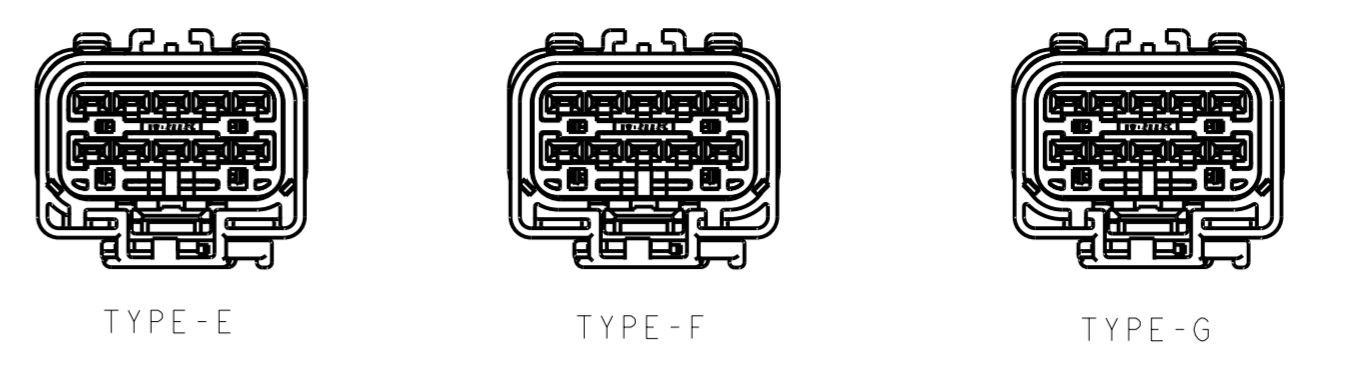
DETAIL Z 1 PLG. AS SHOWN 1 PLG. SYM. OPP. SCALE 5:1

CAVITY DETAIL VIEW SECTION E-E

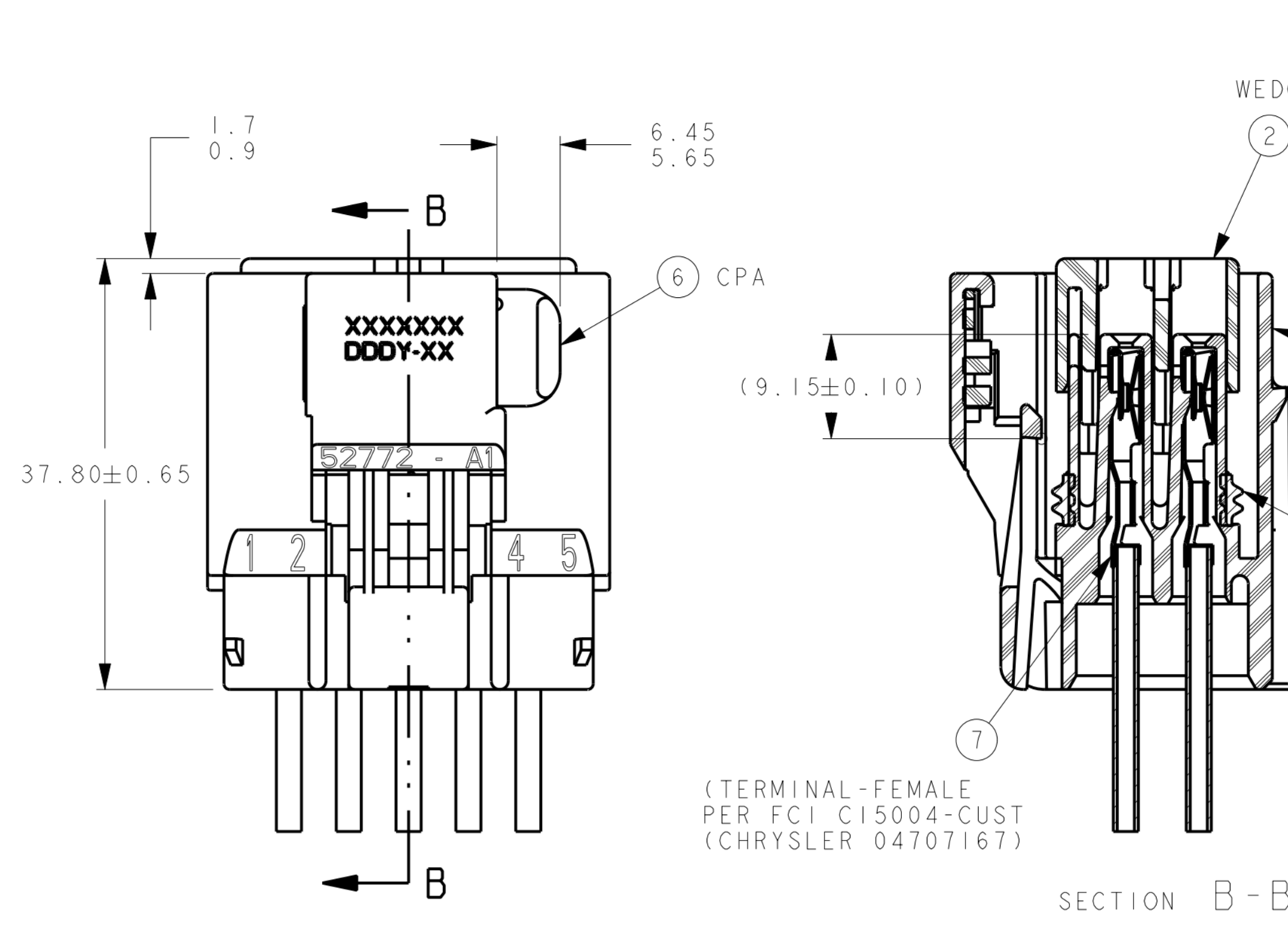
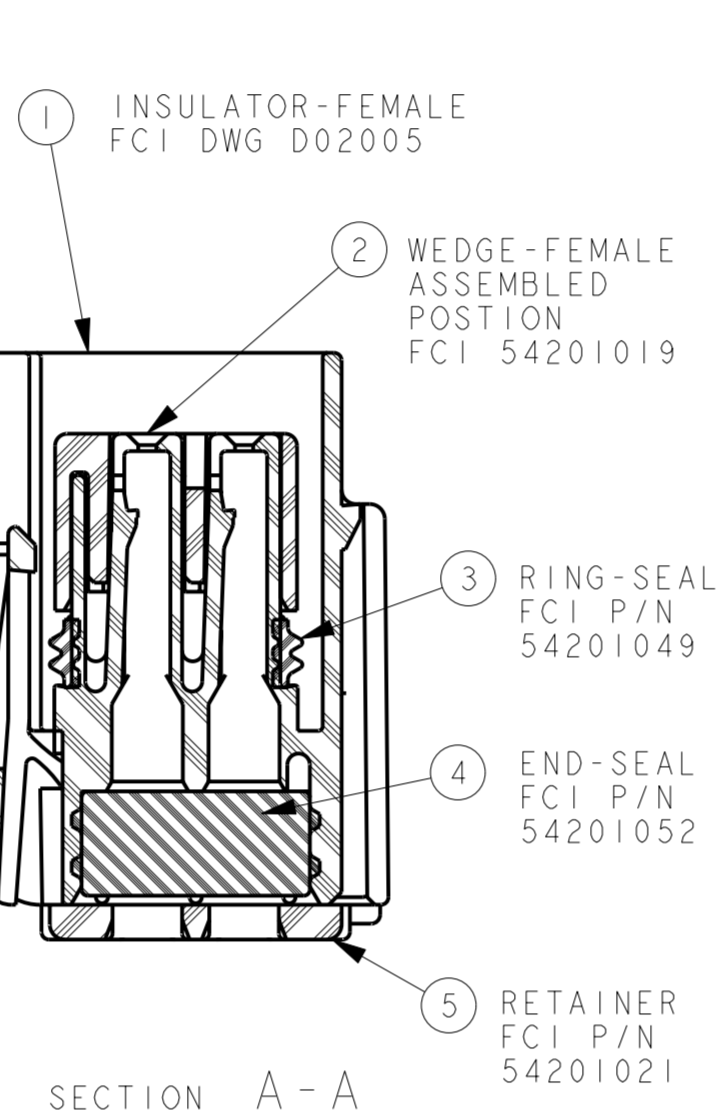
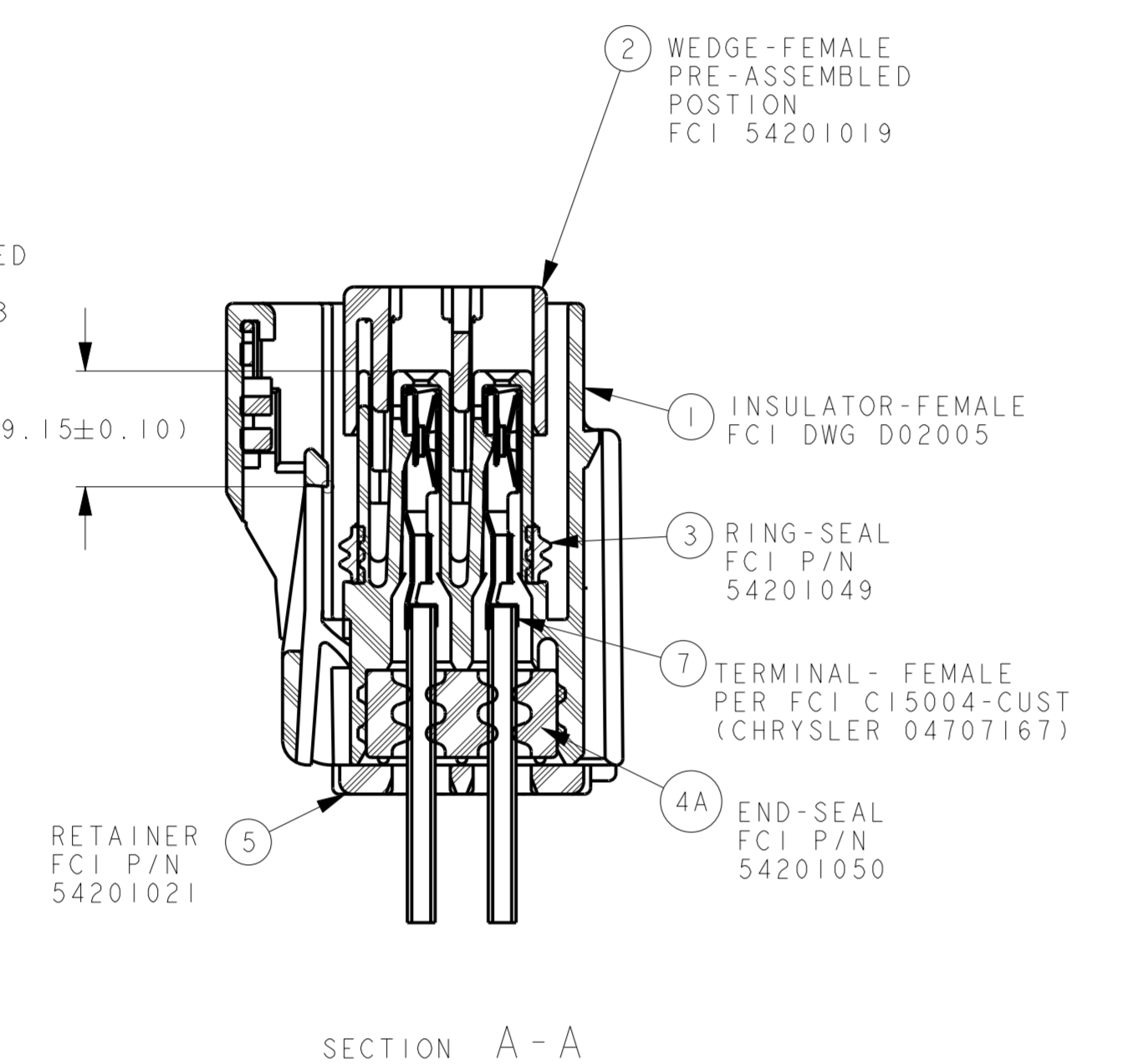
FOR REFERENCE ONLY



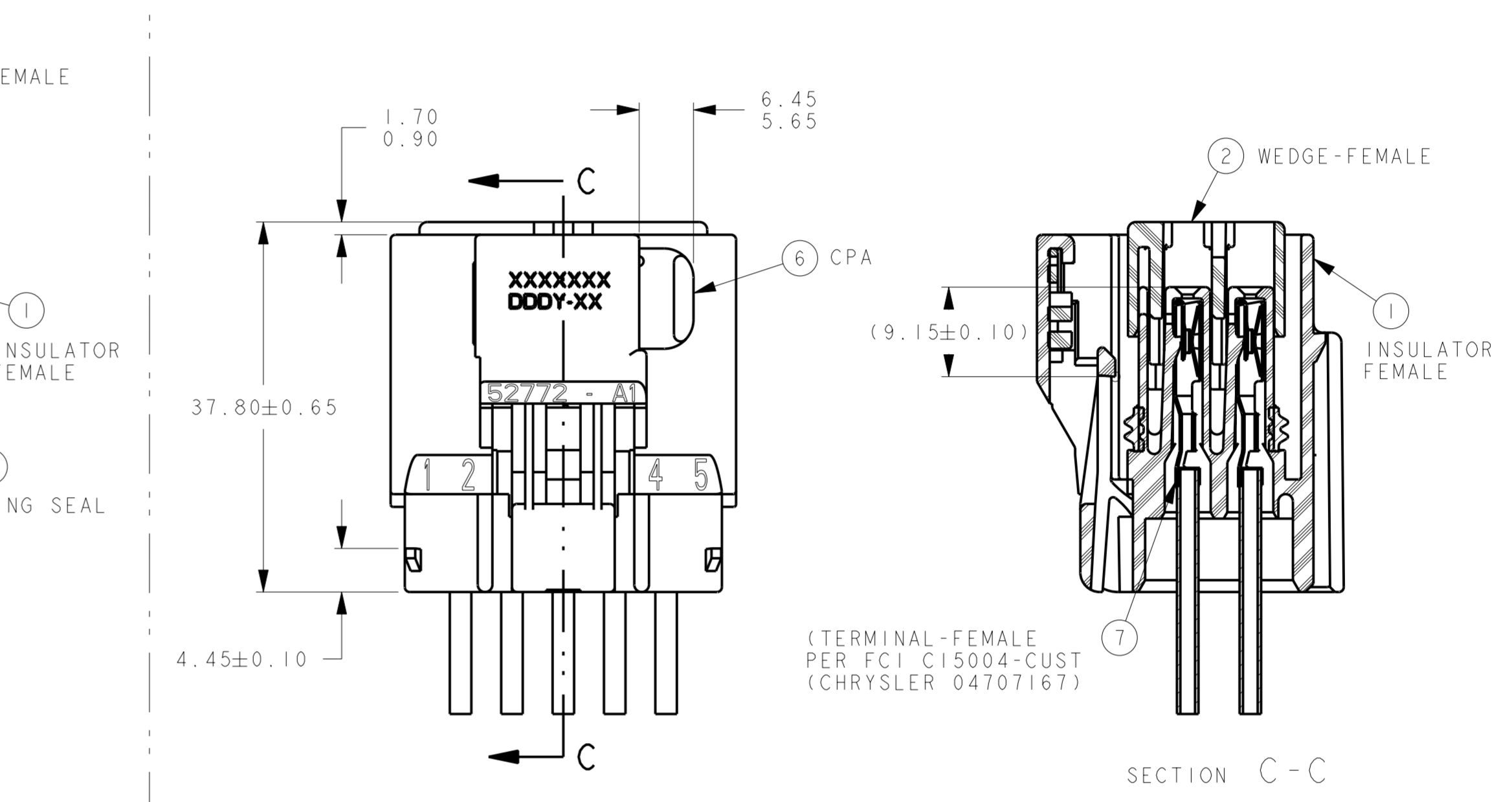
POLARIZATION OPTIONS FULL SIZE SHOWN WITH CPA



POLARIZATION OPTIONS FULL SIZE SHOWN W/O CPA



SEALED ASSEMBLY VIEW SEE PART NUMBER CHART \*SHIPPED WITHOUT END SEAL AND RETAINER



UNSEALED ASSEMBLY VIEW SEE PART NUMBER CHART

MATING PART NUMBER CHART

INDEX TYPE	COLOR	SEALED/UNSEALED	FCI	CUSTOMER	YNA	FCI	CUSTOMER	YNA
G	LT BROWN	SEALED	54201043N	N/A	N/A	54201042	N/A	N/A
F	AQUA	SEALED	54201015N	(C) 04687899	7283-4806-90	54201015	(C) 04687899	7283-4806-90
E	DK GRN	SEALED	54201013N	(C) 04687898	7283-4805-60	54201013	(C) 04687898	7283-4805-60
D	ORANGE	SEALED	54201004N	(C) 04687903	7283-4807-50	54201004	(C) 04687903	7283-4807-50
C	DK GREY	SEALED	54201023N	(C) 04801117	7229-2829-40	54201023	(C) 04801117	7229-2829-40
B	LT GREY	SEALED	54201001N	(C) 04687901	7283-4802-40	54201001	(C) 04687901	7283-4802-40
A	BLACK	SEALED	54201054	(C) 04759589AA	7283-4901-30	54201054	(C) 04759589AA	7283-4901-30

UNSEALED	SEALED
W/O CPA	W/CPA
54201000N	54201000N
54201001N	54201001N
54201002N	54201002N
54201003N	54201003N
54201004N	54201004N
54201005N	54201005N
54201006N	54201006N
54201007N	54201007N
54201008N	54201008N
54201009N	54201009N
54201010N	54201010N
54201011N	54201011N
54201012N	54201012N
54201013N	54201013N
54201014N	54201014N
54201015N	54201015N
54201016N	54201016N
54201017N	54201017N
54201018N	54201018N
54201019N	54201019N
54201020N	54201020N
54201021N	54201021N
54201022N	54201022N
54201023N	54201023N
54201024N	54201024N
54201025N	54201025N
54201026N	54201026N
54201027N	54201027N
54201028N	54201028N
54201029N	54201029N
54201030N	54201030N
54201031N	54201031N
54201032N	54201032N
54201033N	54201033N
54201034N	54201034N
54201035N	54201035N
54201036N	54201036N
54201037N	54201037N
54201038N	54201038N
54201039N	54201039N
54201040N	54201040N
54201041N	54201041N
54201042N	54201042N
54201043N	54201043N
54201044N	54201044N
54201045N	54201045N
54201046N	54201046N
54201047N	54201047N
54201048N	54201048N
54201049N	54201049N
54201050N	54201050N
54201051N	54201051N
54201052N	54201052N
54201053N	54201053N
54201054N	54201054N
54201055N	54201055N
54201056N	54201056N
54201057N	54201057N
54201058N	54201058N
54201059N	54201059N
54201060N	54201060N
54201061N	54201061N
54201062N	54201062N
54201063N	54201063N
54201064N	54201064N
54201065N	54201065N
54201066N	54201066N
54201067N	54201067N
54201068N	54201068N
54201069N	54201069N
54201070N	54201070N
54201071N	54201071N
54201072N	54201072N
54201073N	54201073N
54201074N	54201074N
54201075N	54201075N
54201076N	54201076N
54201077N	54201077N
54201078N	54201078N
54201079N	54201079N
54201080N	54201080N
54201081N	54201081N
54201082N	54201082N
54201083N	54201083N
54201084N	54201084N
54201085N	54201085N
54201086N	54201086N
54201087N	54201087N
54201088N	54201088N
54201089N	54201089N
54201090N	54201090N
54201091N	54201091N
54201092N	54201092N
54201093N	54201093N
54201094N	54201094N
54201095N	54201095N
54201096N	54201096N
54201097N	54201097N
54201098N	54201098N
54201099N	54201099N
54201100N	54201100N

REQUIRED	REQUIRED	ITEM (CUSTOMER P/N)	FCI P/N	PART NAME	MATERIAL
		(C) 04687756	54201026	INSULATOR - FEMALE INDEX A; BLK	PA66 GF35
		(C) 04687937	54201027	INSULATOR - FEMALE INDEX B; LT GRN	PA66 GF35
		(C) 04687938	54201028	INSULATOR - FEMALE INDEX C; LT GRN	PA66 GF35
		(C) 04801111	54201029	INSULATOR - FEMALE INDEX C; DK GREY	PA66 GF35
		(C) 04687959	54201030	INSULATOR - FEMALE INDEX D; ORG	PA66 GF35
		(C) 04687960	54201031	INSULATOR - FEMALE INDEX E; DK GRN	PA66 GF35
		(C) 04687962	54201032	INSULATOR - FEMALE INDEX F; AQUA	PA66 GF35
		(C) 04688048AA	54201033	INSULATOR - FEMALE INDEX G; LT BROWN	PA66 GF35
		(C) 04687741	54201019	WEDGE FEMALE; ROYAL BLUE	PA66 GF35
		(C) 04687736	54201049	RING SEAL; RED	SILICONE
		(C) 04687963	54201050	END SEAL; DK BLUE (INS. RANGE Ø 1.70 - Ø 3.35)	SILICONE
		(C) 04687750	54201051	END SEAL; WHITE (INS. RANGE Ø 1.90 - Ø 3.70)	SILICONE
		(1/C 93008013)	54201052	END SEAL; BRIGHT YELLOW (NO HOLES)	SILICONE
		(C) 04687750	54201021	RETAINER; BLACK	PA66 GF35
		(C) 04687739	54200003	CPA LATCH; RED	PA66 GF35

INDEX TYPE COLOR SEALED/UNSEALED FCI CUSTOMER YNA FCI CUSTOMER YNA  
 (C) - CHRYSLER (F) - FORD  
 FCI - FRAMATOME CONNECTORS INTERNATIONAL  
 YNA - YAZAKI NORTH AMERICA  
 (JD) - JOHN DEERE (LF) - LITTLE FUSE  
 (L) - LITTON  
 (P) - PERKINS  
 (R) - RAYSON  
 (S) - SAE  
 (T) - TRUMPF  
 (V) - VENTURA  
 (W) - WIPAC  
 (X) - XCEL  
 (Y) - YOUNG  
 (Z) - ZETTEL  
 (A) - AMETEK  
 (B) - BENTON  
 (C) - CANTON  
 (D) - DEXTER  
 (E) - EMMETT  
 (G) - GARDNER  
 (H) - HANSON  
 (I) - ILLINOIS  
 (J) - JENSEN  
 (K) - KENTON  
 (L) - LITTON  
 (M) - MANNING  
 (N) - NORTON  
 (O) - OTC  
 (P) - PERKINS  
 (Q) - QUINN  
 (R) - RAYSON  
 (S) - SAE  
 (T) - TRUMPF  
 (U) - UNION  
 (V) - VENTURA  
 (W) - WIPAC  
 (X) - XCEL  
 (Y) - YOUNG  
 (Z) - ZETTEL

NOTES:  
 1. QUALITY ASSURANCE REQUIREMENTS PER PS-7300: 1 SPC DATA REQUIRED.  
 2. ENGINEERING APPROVAL OF SUPPLIER SAMPLES IS REQUIRED PRIOR TO AUTHORIZATION OF PART PRODUCTION.  
 3. CHANGES IN DESIGN COMPOSITION OR PROCESSING FROM THE PART PREVIOUSLY APPROVED FOR PART PRODUCTION REQUIRES PRIOR ENGINEERING APPROVAL.  
 4. WIRING FABRICATORS MUST PURCHASE FROM SOURCES SHOWN.  
 5. ALL THE SEALED APPLICATIONS WITH 54201050 END SEAL MUST BE USED WITH CHRYSLER WIRE SPEC. MS-8288 OR MS-9502 THIN WALL X-LINK 20, 18, 16, 14 & 12 GAGE WIRES ONLY UNLESS OTHERWISE SPECIFIED (WIRE INSULATION RANGE Ø 1.70 MIN TO Ø 3.35 MAX) ISO THIN WALL EQUIVALENTS ALLOWED.  
 6. P/N WITH C755900 END SEAL MUST BE USED WITH WIRE INSULATION RANGE FROM Ø 1.90 MIN TO Ø 3.70 MAX (18AWG TO 12AWG OR 1mm<sup>2</sup> TO 4mm<sup>2</sup> ISO THIN WALL).  
 7. ALL NON-SEALED APPLICATIONS MAY BE USED WITH ANY WIRE INSULATION 22 GAGE THRU 10 GAGE & ISO THIN WALL EQUIVALENTS PROVIDING THAT A TERMINAL GRIP FOR THAT CORE/INSULATION COMBINATION IS SHOWN ON THE FEMALE TERMINAL DRAWING: FCI C15004-CUST.  
 8. MAX. INSULATION CRIMP WIDTH = 4.50  
 9. MAX. INSULATION CRIMP HEIGHT = 4.50  
 10. MAX. INSULATION DIA = 4.09 (10 GA THIN WALL)  
 11. USE WITH CAVITY PLUG FCI P/N 54200005 (C) 56033008 WHEN REQ'D  
 12. USE WITH DOUBLE X-MAS TREE CLIP (C) 04707091 WHEN REQUIRED  
 13. USE WITH SINGLE X-MAS TREE CLIP (C) 04625797 WHEN REQUIRED  
 14. THE 2.8MM APEX TERMINAL IS SYMMETRICAL ABOUT CENTER LINE & CAN BE INSERTED 180°  
 15. DIRECT CONNECT DRAWING NO. FCI G36010 (CHRYSLER 04707028)  
 16. TEST METHOD PER CHRYSLER PERFORMANCE SPEC # SAE/USCAR-2 REV 5, CONNECTOR ENGAGE & DISENGAGE WITH LATCH DEPRESSED FORCE NOT TO EXCEED 120N FOR THIS SYSTEM  
 17. CPA SEATING FORCES - 40N MAX  
 18. WEDGE SEATING FORCES - 120N MAX  
 19. X-MAS TREE CLIP INSERTION FORCES - 75N MAX  
 20. SUPPLIER, MOLD & CAVITY I.D. SIGNIFIES TOOL OWNERSHIP. FOR REFERENCE  
 21. ANNUAL QUALITY REQUIREMENTS:  
 IT IS PERMISSIBLE TO PERFORM CONTINUOUS CONFORMANCE PER FCI SPECIFICATION 8404-001 INSTEAD OF ANNUAL LAYOUT & ANNUAL PV REQUIREMENTS OF QS-9000 SECTION 2 & SAE/USCAR-2 REV 5  
 ALL NON-REFERENCE DIMENSIONS ARE REQUIRED  
 - USE INDEX A, BLACK SEALED AND UNSEALED FOR ALL AFFECTED INSULATOR CAVITIES  
 - CURRENT PRODUCTION TOOLING  
 - POINT OF LAST RUN  
 22. SERVICE TOOLING GUIDE INFORMATION PER APEX TRAINING MANUAL  
 23. MUST CONFORM TO THE FOLLOWING CHRYSLER/YNA STANDARDS:  
 SAE/USCAR-2 REV 5 FOR LATCH PERFORMANCE & AUDIBILITY  
 SAE/USCAR-2 REV 5 EXCEPT AS NOTED ABOVE  
 PS-7300 QUALITY ASSURANCE (CHRYSLER)  
 PS-4480-CER-4 (CHRYSLER) PART 1-D, (G-009-2 YNA)  
 PS-9065 REGRID (CHRYSLER), (G-009-3 YNA)  
 PS-9227 DATA EXCHANGE (CHRYSLER), (G-009-7 YNA)  
 PS-10052 INFORMATION SECURITY (CHRYSLER)  
 24. THIS DRAWING (H59005) REPLACES CHRYSLER DRAWING NUMBER 04687872 LEVEL "P"  
 25. FCI P/N'S WITH SUFFIX "N" DESIGNATES ASSEMBLY W/O CPA.

REV	DATE	DESCRIPTION
1	08/01/15	ISSUE FOR PRODUCTION
2	08/01/15	REVISION: REVISED AND REBARIN IN PDS

\*END SEAL FCI P/N 54201050 OR F755900 AND RETAINER P/N 54201021 OR HINGE TYPE PROVIDED LOOSE PIECE AND INSTALLED AT HARNESS ASSEMBLY. SEE HARNESS ASSEMBLY DRAWING FOR END SEAL AND RETAINER (STANDARD OR HINGE TYPE) PART NUMBERS  
 \*INDICATES THIS P/N IS AVAILABLE THROUGH TT1

## X-ON Electronics

Largest Supplier of Electrical and Electronic Components

*Click to view similar products for [Automotive Connectors](#) category:*

*Click to view products by [APTIV](#) manufacturer:*

Other Similar products are found below :

[003-018-000](#) [60403001](#) [60993906-B](#) [629515004020001](#) [M902-2131](#) [M902-2161](#) [72.330.1035.1](#) [73.353.4028.0](#) [F119300-B](#) [F166900](#)  
[F258300-B](#) [F358300-B](#) [F407400](#) [F444110](#) [F487000](#) [F509500B-B](#) [827153-1](#) [8N1515-32-24P](#) [9-1326729-8](#) [925474-1](#) [928905-1](#) [964562-4](#)  
[968782-1](#) [GT17SA-8DS-HU](#) [98891-1012](#) [98947-1016](#) [12004475-L](#) [12010290](#) [12010309-B](#) [12015454](#) [12020219-B](#) [12020308](#) [12041318-B](#)  
[12052225-L](#) [12052466](#) [12059125](#) [12064869](#) [12004327-B](#) [12010503-B](#) [12015308](#) [12015384](#) [12015909](#) [1-21030-1](#) [12041254](#) [12041318](#)  
[12047946-B](#) [12047957](#) [12047957-L](#) [12059473](#) [12066261](#)