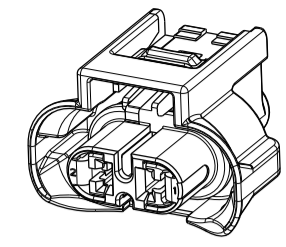
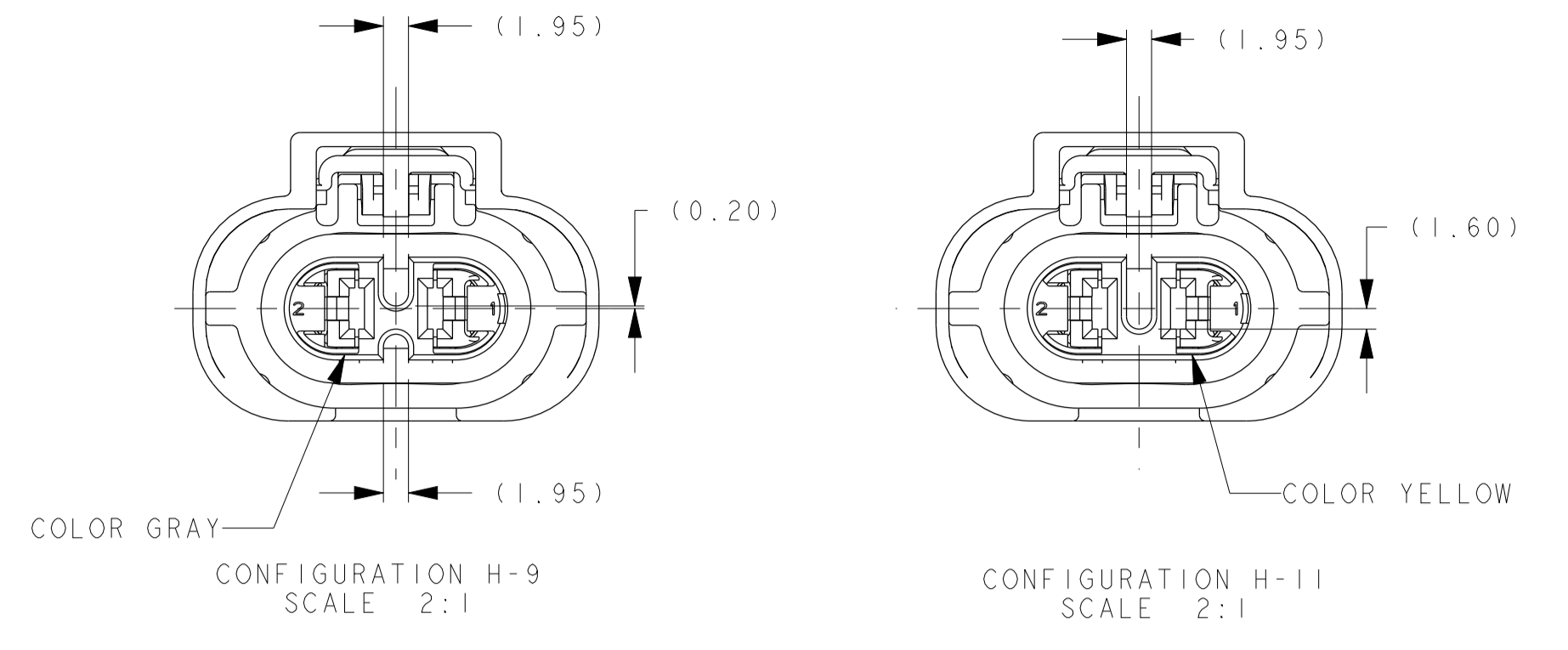


COMPONENTS LIST								
CONFIGURATION	CUST PART NO.		ASSY PART NO.	PART NUMBERS				
	GM			ITEM 1 TPA	ITEM 1 TPA COLOR	ITEM 2 SEAL	ITEM 3 HOUSING	ITEM 4 CPA
H-9 WITH CPA	-		F984300	C594300	GRAY	240M041	S394300	F752210
H-11 WITH CPA	-		F094300	C494300	YELLOW			
H-9 W/O CPA	13576003		F294300	C594300	GRAY			N/A
H-11 W/O CPA	13576004		F194300	C494300	YELLOW			

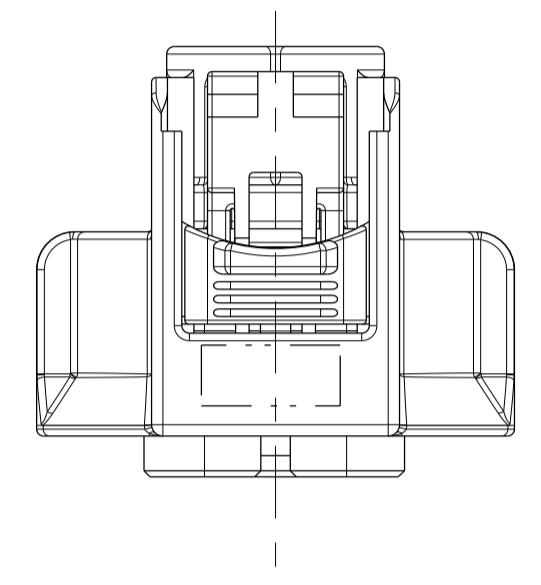


SCALE 1:1

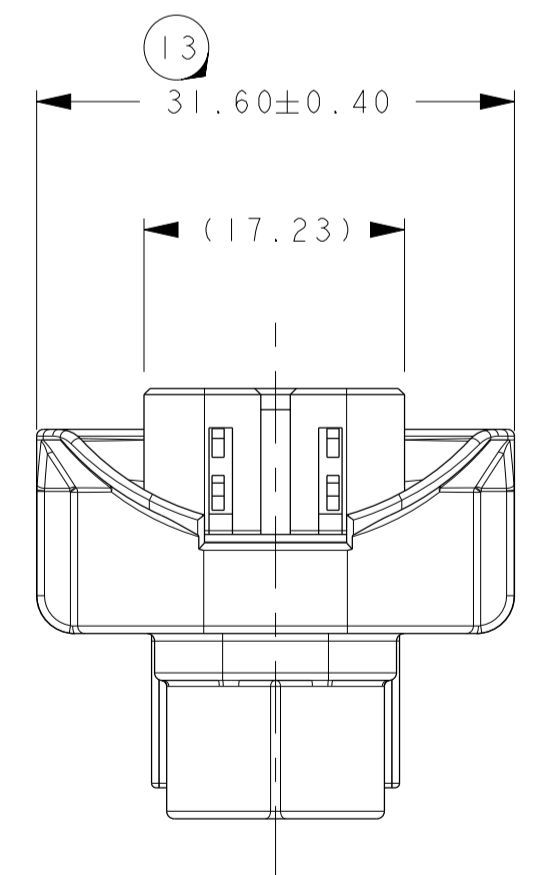
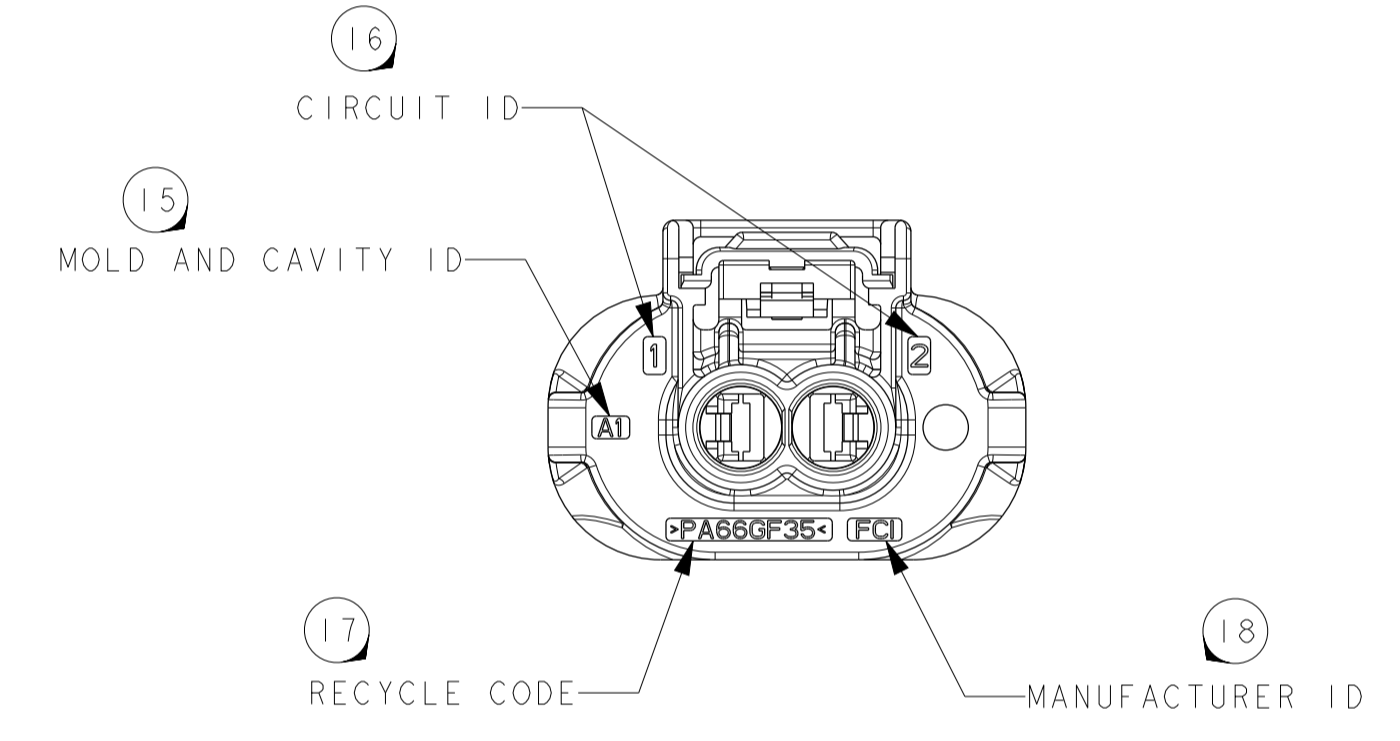
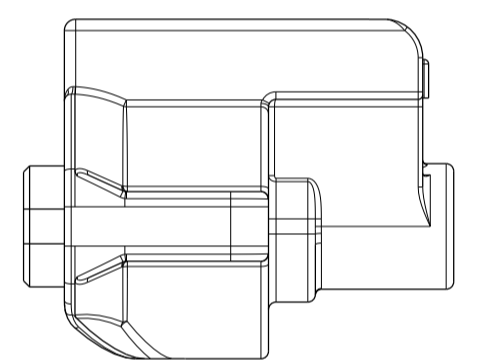
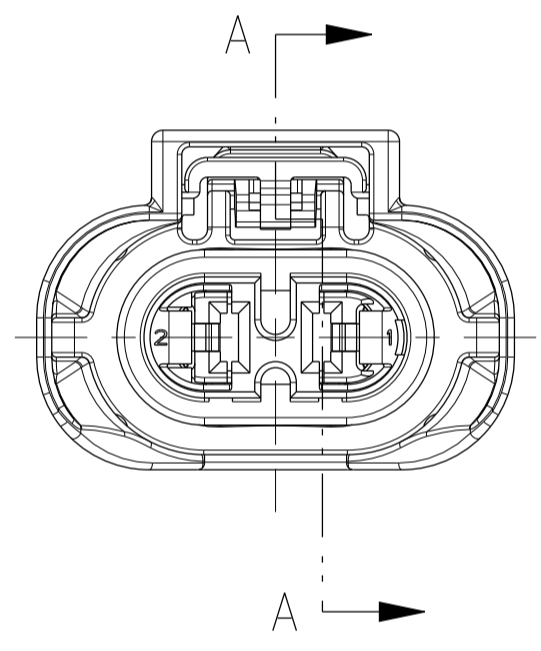
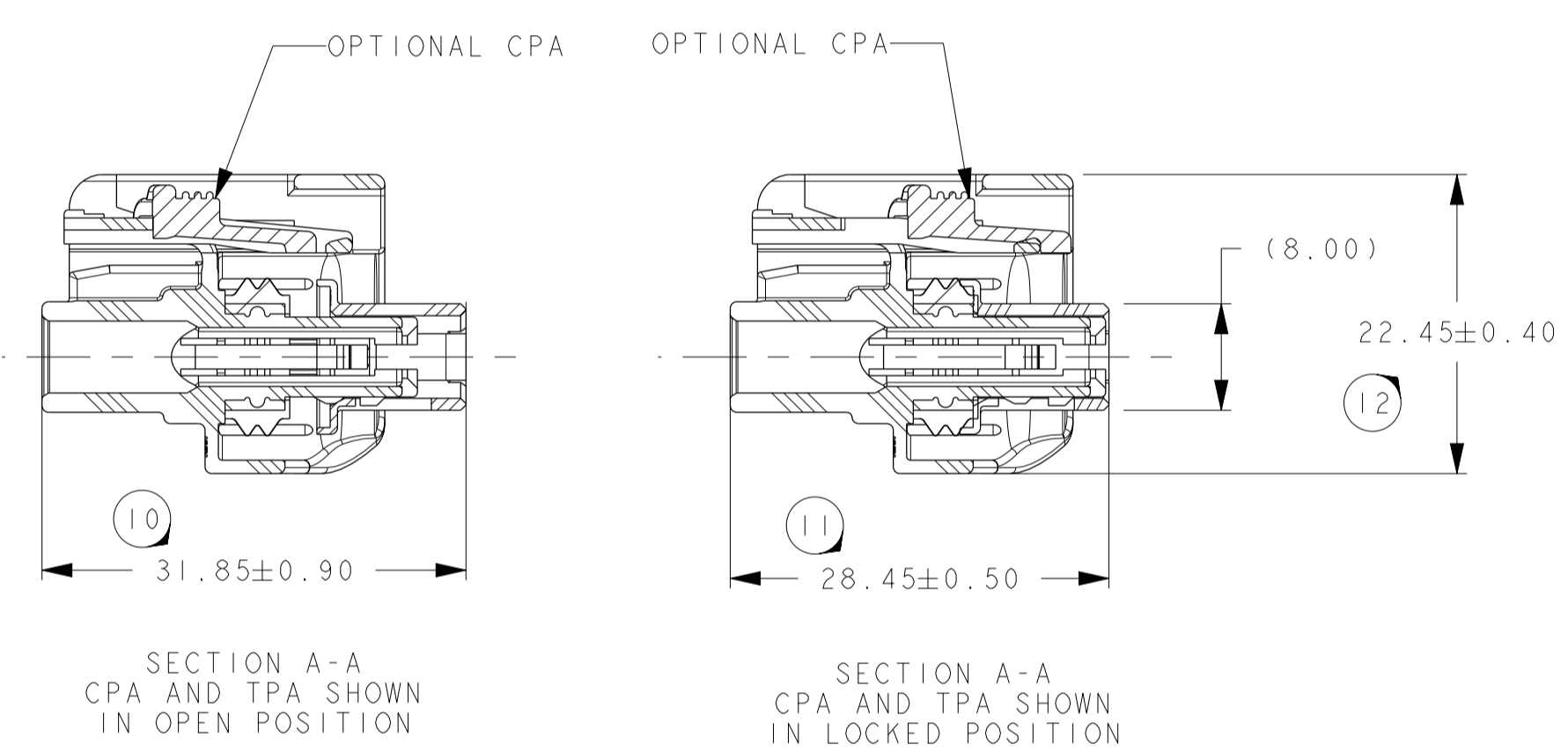


POLARIZATION OPTIONS

APPLICABLE COMPONENTS - SEE NOTE #1				
FCI PART NUMBER	ITEM DESCRIPTION	GRIP CODE	WIRE SIZE	WIRE INSULATION DIAMETER RANGE
54001410	FCI APEX 2.8 FEMALE TERMINAL GOLD	14AU	16/14 AWG 1.50-2.50mm ²	2.18mm-3.00mm
54001448	FCI APEX 2.8 FEMALE TERMINAL GOLD (FORD)	14AU	16/14 AWG 1.50-2.50mm ²	2.18mm-3.00mm
F576000	CABLE SEAL (BLUE)	-	16/14 AWG 1.50-2.00mm ²	2.20mm-2.80mm
60994034	CABLE SEAL (YELLOW)	-	2.50mm ²	2.70mm-3.00mm

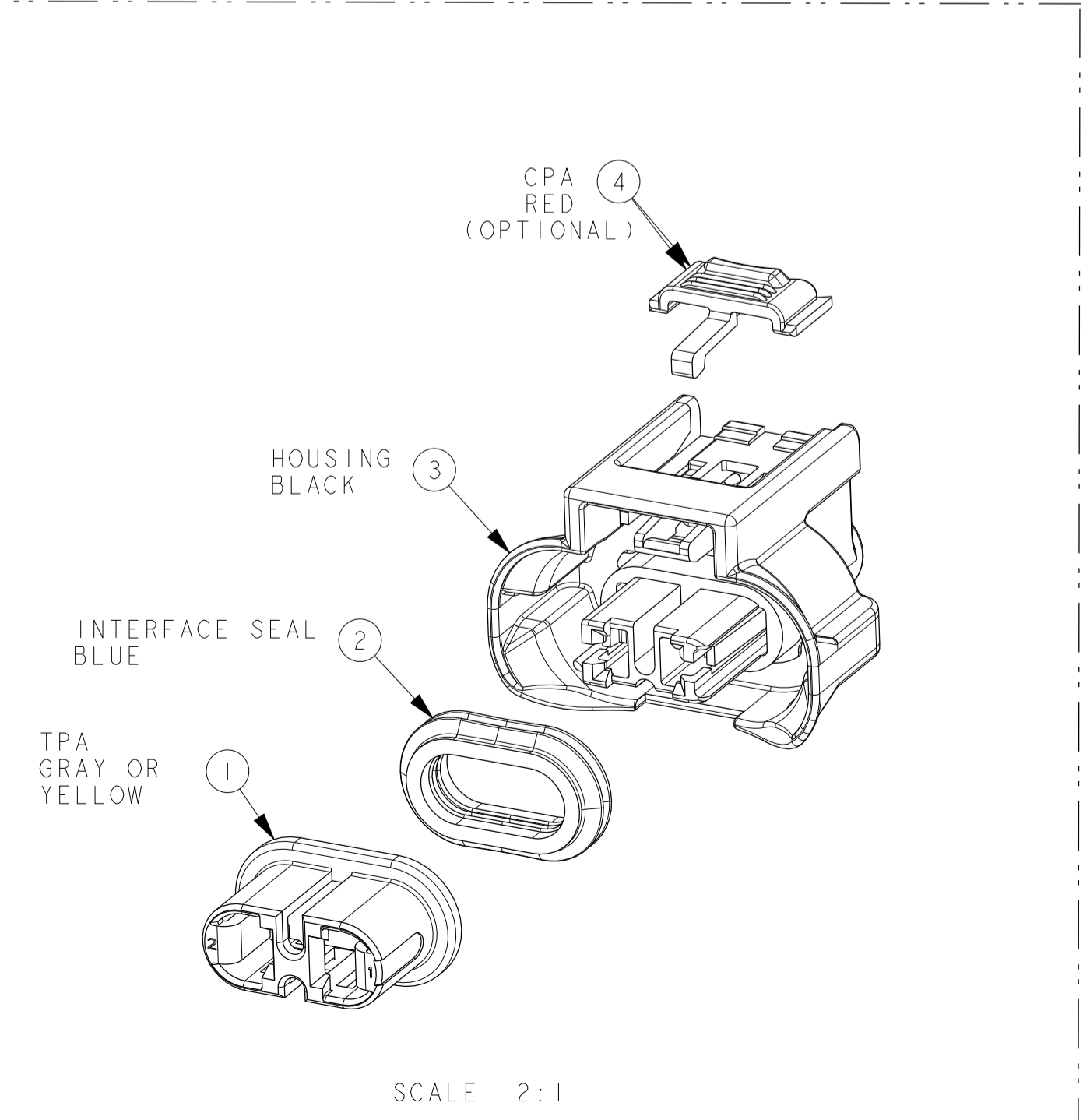


SCALE 2:1



SCALE 2:1

- NOTES UNLESS OTHERWISE SPECIFIED:
- BULB HEATING EFFECT IN LIGHTING APPLICATIONS MUST BE CONSIDERED BY THE SPECIFYING PARTY AS TO APPROPRIATE WIRE, CABLE SEAL, AND TERMINAL SELECTION AND FOR EACH LIGHTING SYSTEM'S VALIDATION TESTING. USE OF LARGEST CONDUCTOR WIRE WITH 150°C RATING IS STRONGLY RECOMMENDED IN ALL BULB OR OTHER SELF-HEATING APPLICATIONS.
 - TEST METHOD PER USCAR-2 REV 5 TESTED TO TEMPERATURE CLASS III (125°C) (BULB HEATING EFFECT NOT INCLUDED)
 - CONNECTOR TO BE USED WITH THE FOLLOWING RANGE OF WIRE SIZES AND TYPES:
 - WIRE SIZES: 1.50mm² - 2.50mm² AND 16 GAGE TO 14 GAGE.
 - OUTSIDE DIAMETER: 2.18mm MIN O.D. TO 3.00mm MAX O.D.
 - TYPE/STANDARD: MIL123-A, MS-8288, M3075, FLR2X
 CONTACT FCI ENGINEERING REGARDING USE OF OTHER WIRE SIZES OR TYPES. SEE NOTE #1.
 - SEE FCI DRAWING C15004-CUST FOR TERMINAL CRIMPING REQUIREMENTS.
 - ANNUAL QUALITY REQUIREMENTS: IT IS PERMISSIBLE TO PERFORM CONTINUOUS CONFORMANCE PER FCI SPECIFICATION AQA-001 INSTEAD OF ANNUAL LAYOUT AND ANNUAL PV REQUIREMENTS OF QS-9000 SECTION 2 AND SAE/USCAR-2.



SCALE 2:1

12-00438 CL CHART/CPA F72210 WAS 54200016		NOTES REVISED NOTE 1	
NOTES REVISED NOTE 4		AP CHART/REMOVED TERMINALS 54001811 & 54001879, REMOVED CABLE SEAL F676000	
AP CHART/CORRECTED MINIMUM WIRE SIZE; 1.5mm ² WAS 1.0mm ²		VIEWS CORRECTED SEAL DEPICTION	
11981	MIS ADD GM PART NUMBERS	AP CHART/ADD GRIP CODE AND WIRE SIZE COLUMNS	
NOTES REVISE NOTE 4		NOTES REVISE NOTE 4	
11633	F15,F13 31.85±0.90 was 31.15±0.90 , 28.45±0.50 was 27.75±0.50	NOTES NOTES RENUMBERED AND REVISED	
AP CHART/APPLICABLE CABLE SEALS REVISED		AP CHART/APPLICABLE CABLE SEALS REVISED	
11157	RELEASED FOR PRODUCTION (REV C)		
ECN-NO.	ZONE	CHANGE DESCRIPTION	
PRODUCT SPEC.	PACKAGING SPEC.	APPLICATION SPEC.	THIS DRAWING AND ALL OTHER INFORMATION CONTAINED THEREIN IS PROPRIETARY AND THE PROPERTY OF FCI. THIS DRAWING MAY NOT BE COPIED, REPRODUCED OR DISCLOSED TO ANY THIRD PARTY WITHOUT THE EXPRESSED WRITTEN PERMISSION OF FCI. FCI April 10, 1999
TOLERANCES	±0.1	±2*	SURFACE FINISH
CONTRIBUTOR:		COLOR:	
DO NOT MEASURE DRAWING		TOOL NO.	ECO Loc. C46 AN
DATE	NAME	TITLE	DRAWING NUMBER
CREATED BY	2008/02/08	Robert	2 WAY FEMALE 28 APEX CONNECTOR
MODIFIED BY	2013/06/11	Matt MAJON	PROJECT
CHECKED BY	2013/06/11	Robert BAUMAN	PGJ 19 LAMP CONNECTOR
APPROVED BY	2013/06/11	Frank HOLUB	CAT. NO.
FILE NAME	PCC0558541	DOCUMENT UNDER PDS CONTROL. NO MODIFICATION ALLOWED OUTSIDE	See Table

EUP COR 112 FEB 05S

X-ON Electronics

Largest Supplier of Electrical and Electronic Components

Click to view similar products for [Automotive Connectors](#) category:

Click to view products by [APTIV](#) manufacturer:

Other Similar products are found below :

[003-018-000](#) [60993906-B](#) [M902-2131](#) [M902-2161](#) [M902-2344](#) [72.330.1035.1](#) [73.353.4028.0](#) [F166900](#) [F358300-B](#) [F407400](#) [776880-1](#)
[827153-1](#) [8N1515-32-24P](#) [9-1326729-8](#) [925474-1](#) [928905-1](#) [964562-4](#) [968782-1](#) [98891-1012](#) [12004475-L](#) [12020308](#) [12041318-B](#)
[12052466](#) [12064869](#) [12015909](#) [1-21030-1](#) [12041254](#) [12041318](#) [12047946-B](#) [12110546-B](#) [12131792](#) [12084688](#) [12092346](#) [HD34-18-14PT](#)
[HD46-24-23SN-059](#) [HDB36-24-16PN-059](#) [HDP26-24-9SE-L015](#) [12185280](#) [12185550](#) [12336-12](#) [12191172-B](#) [12S](#) [13545280](#) [13577943](#)
[13681974](#) [13737722-B](#) [13830674](#) [13832576](#) [13849772](#) [13542772](#)